

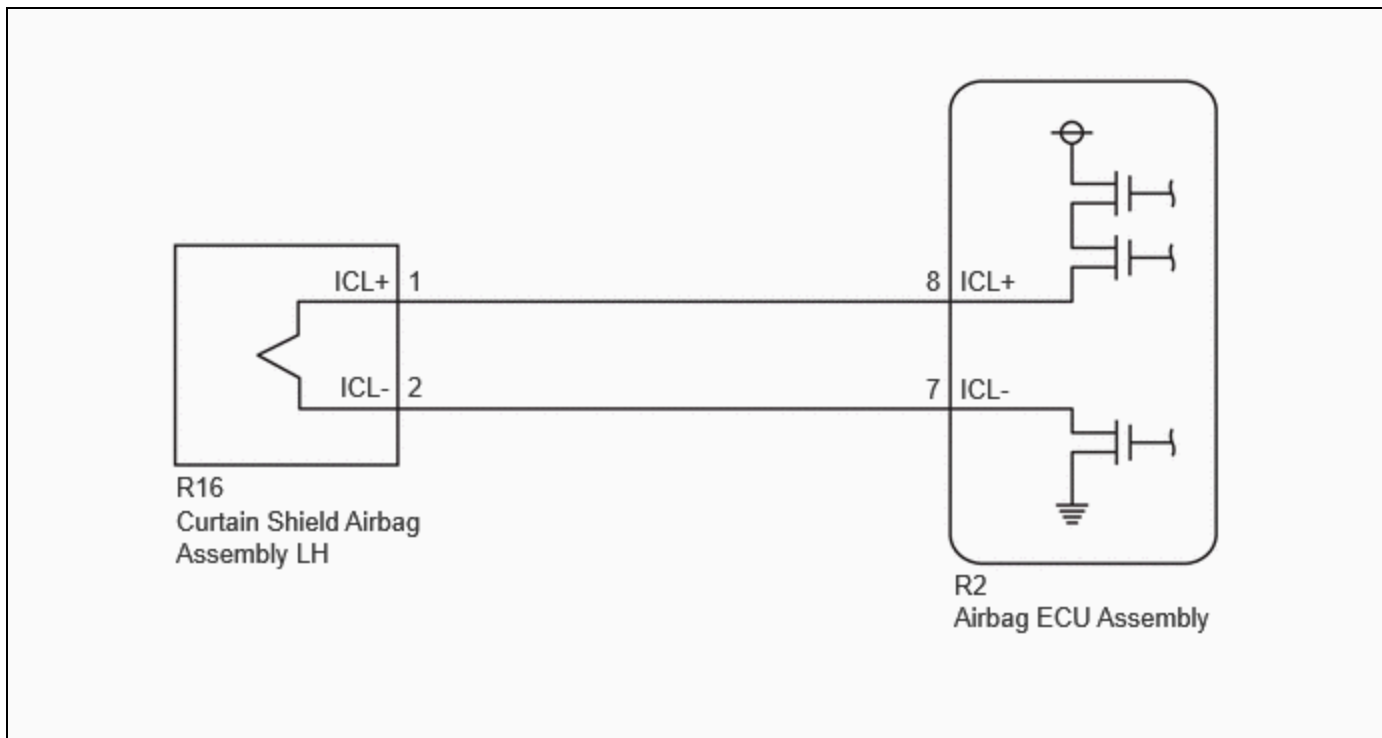
<b>Last Modified:</b> 12-04-2024	6.11:8.1.0	<b>Doc ID:</b> RM100000028UVA
<b>Model Year Start:</b> 2023	<b>Model:</b> Prius Prime	<b>Prod Date Range:</b> [12/2022 - ]
<b>Title:</b> SUPPLEMENTAL RESTRAINT SYSTEMS: AIRBAG SYSTEM: B002111; Left Curtain Deployment Control 1 Circuit Short to Ground; 2023 - 2024 MY Prius Prius Prime [12/2022 - ]		

<b>DTC</b>	<b>B002111</b>	<b>Left Curtain Deployment Control 1 Circuit Short to Ground</b>
------------	----------------	--

## DESCRIPTION

DTC NO.	DETECTION ITEM	DTC DETECTION CONDITION	TROUBLE AREA	WARNING INDICATE	DTC OUTPUT FROM	PRIORITY	TEST MODE / CHECK MODE
B002111	Left Curtain Deployment Control 1 Circuit Short to Ground	<ul style="list-style-type: none"> <li>The airbag ECU assembly detects a short to ground in the curtain shield squib LH circuit for 0.5 seconds.</li> <li>Curtain shield airbag assembly LH malfunction</li> <li>Airbag ECU assembly malfunction</li> </ul>	<ul style="list-style-type: none"> <li>Harness or connector</li> <li>Curtain shield airbag assembly LH</li> <li>Airbag ECU assembly</li> </ul>	Comes on	SRS Airbag	A	Applies to check mode

## WIRING DIAGRAM



## CAUTION / NOTICE / HINT

### NOTICE:

- After the ignition switch is turned off, there may be a waiting time before disconnecting the negative (-) auxiliary battery terminal.

[Click here](#) **INFO**

### HINT:

When disconnecting and reconnecting the auxiliary battery, there is an automatic learning function that completes learning when the respective system is used.

[Click here](#) **INFO**

- After replacing the airbag ECU assembly, refer to work procedure.

[Click here](#) **INFO**

### HINT:

- To perform the simulation method, enter check mode (signal check) with the GTS.

[Click here](#) **INFO**

- Perform the simulation method while checking the Data List.

[Click here](#) **INFO**

## PROCEDURE

<b>1.</b>	<b>CLEAR DTC</b>
-----------	------------------

Pre-procedure1

(a) Turn the ignition switch to ON, and wait for at least 60 seconds.

Procedure1

(b) Clear the DTCs stored in memory.

**Body Electrical > SRS Airbag > Clear DTCs**

Post-procedure1

(c) Turn the ignition switch off.

**NEXT**



<b>2.</b>	<b>CHECK DTC</b>
-----------	------------------

Pre-procedure1

(a) Turn the ignition switch to ON, and wait for at least 60 seconds.

Procedure1

(b) Check for DTCs.

**Body Electrical > SRS Airbag > Trouble Codes**

RESULT	PROCEED TO
B002111 is output	A
B002111 is not output	B

Post-procedure1

(c) None

**B** **USE SIMULATION METHOD TO CHECK**

**A**



<b>3.</b>	<b>CHECK CONNECTION OF CONNECTORS</b>
-----------	---------------------------------------

Pre-procedure1

(a) Turn the ignition switch off.

(b) Disconnect the cable from the negative (-) auxiliary battery terminal, and wait for at least 60 seconds.

Procedure1

(c) Check that the connectors are properly connected to the curtain shield airbag assembly LH and airbag ECU assembly.

OK:

The connectors are properly connected.

Post-procedure1

(d) None

**NG**  **CONNECT CONNECTORS PROPERLY**

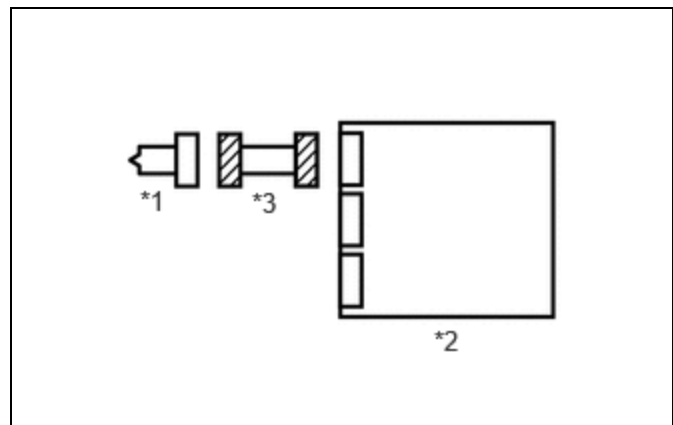
**OK**



<b>4.</b>	<b>CHECK CONNECTORS</b>
-----------	-------------------------

Pre-procedure1

(a) Disconnect the airbag ECU assembly connector.



*1	Curtain Shield Airbag Assembly LH
*2	Airbag ECU Assembly
*3	Wire Harness

(b) Disconnect the curtain shield airbag assembly LH connector.

Procedure1

(c) Check that the terminals of the connectors are not deformed or damaged.

OK:

The terminals are not deformed or damaged.

(d) Check that the connectors are not loose, deformed or damaged.

OK:

The connector locking button is not disengaged, and the claw of the lock is not deformed or damaged.

Post-procedure1

(e) None

**NG**  **REPAIR OR REPLACE HARNESS OR CONNECTOR**

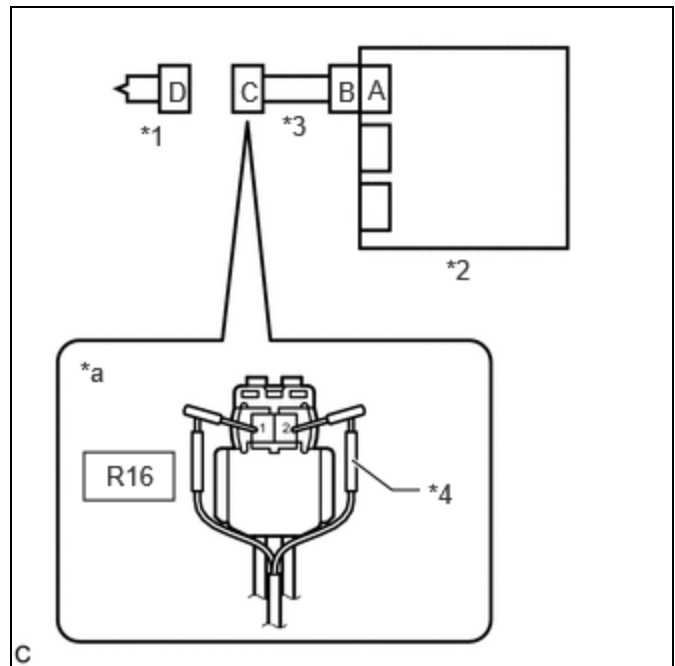
**OK**



<b>5.</b>	<b>CLEAR DTC</b>
-----------	------------------

Pre-procedure1

(a) Connect the airbag ECU assembly connector.



*1	Curtain Shield Airbag Assembly LH
*2	Airbag ECU Assembly
*3	Wire Harness
*4	SST
*a	Front view of wire harness connector (to Curtain Shield Airbag Assembly LH)

(b) Connect SST (resistance: 2.1 Ω) to connector C.

**CAUTION:**

Never connect the tester to the curtain shield airbag assembly LH for measurement, as this may lead to a serious injury due to airbag deployment.

**NOTICE:**

- Do not forcibly insert SST into the terminals of the connector when connecting SST.
- Insert SST straight into the terminals of the connector.

**SST: 09843-18061**

(c) Connect the cable to the negative (-) auxiliary battery terminal, and wait for at least 2 seconds.

(d) Turn the ignition switch to ON, and wait for at least 60 seconds.

Procedure1

(e) Clear the DTCs stored in memory.

**Body Electrical > SRS Airbag > Clear DTCs**

Post-procedure1

(f) Turn the ignition switch off.

**NEXT**

<b>6.</b>	<b>CHECK CURTAIN SHIELD AIRBAG ASSEMBLY LH</b>
-----------	--

Pre-procedure1

(a) Turn the ignition switch to ON, and wait for at least 60 seconds.

Procedure1

(b) Check for DTCs.

**Body Electrical > SRS Airbag > Trouble Codes**

RESULT	PROCEED TO
B002111 is not output	A
B002111 is output	B

**HINT:**

Codes other than DTC B002111 may be output at this time, but they are not related to this check.

Post-procedure1

(c) Turn the ignition switch off.

(d) Disconnect the cable from the negative (-) auxiliary battery terminal, and wait for at least 60 seconds.

(e) Disconnect SST from connector C.

**A** **REPLACE CURTAIN SHIELD AIRBAG ASSEMBLY LH**

**INFO**

**B**



**7. CHECK HARNESS AND CONNECTOR**

Pre-procedure1

(a) Disconnect the airbag ECU assembly connector.

Procedure1

(b) Measure the resistance according to the value(s) in the table below.

Standard Resistance:



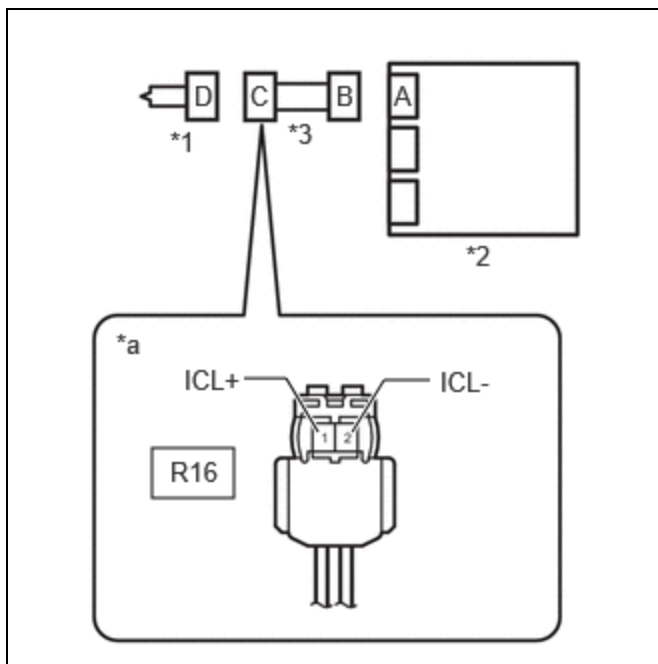
[Click Location & Routing\(R16\)](#)

[Click Connector\(R16\)](#)

TESTER CONNECTION	CONDITION	SPECIFIED CONDITION	RESULT
R16-1 (ICL+) - Body ground	Always	1 MΩ or higher	MΩ
R16-2 (ICL-) - Body ground	Always	1 MΩ or higher	MΩ

Result:

PROCEED TO
OK
NG



*1	Curtain Shield Airbag Assembly LH
*2	Airbag ECU Assembly
*3	Wire Harness
*a	Front view of wire harness connector (to Curtain Shield Airbag Assembly LH)

Post-procedure1

(c) None

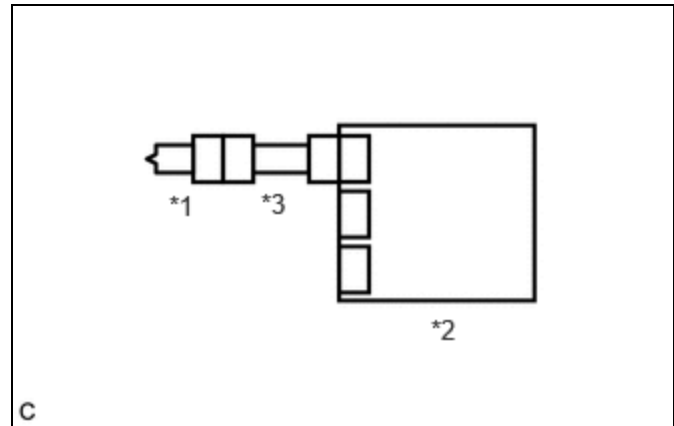
**NG** **REPAIR OR REPLACE HARNESS OR CONNECTOR**

**OK**



**8. CLEAR DTC**

Pre-procedure1



*1	Curtain Shield Airbag Assembly LH
*2	Airbag ECU Assembly
*3	Wire Harness

(a) Connect the airbag ECU assembly connector.

(b) Connect the curtain shield airbag assembly LH connector.

(c) Connect the cable to the negative (-) auxiliary battery terminal, and wait for at least 2 seconds.

(d) Turn the ignition switch to ON, and wait for at least 60 seconds.

Procedure1

(e) Clear the DTCs stored in memory.

**Body Electrical > SRS Airbag > Clear DTCs**

Post-procedure1

(f) Turn the ignition switch off.

**NEXT****9. CHECK DTC**

Pre-procedure1

(a) Turn the ignition switch to ON, and wait for at least 60 seconds.

Procedure1

(b) Check for DTCs.



**Body Electrical > SRS Airbag > Trouble Codes**

RESULT	PROCEED TO
B002111 is not output	A
B002111 is output	B

**HINT:**

Codes other than DTC B002111 may be output at this time, but they are not related to this check.

Post-procedure1

(c) None

**A** ► **USE SIMULATION METHOD TO CHECK**

**B** ► **REPLACE AIRBAG ECU ASSEMBLY** **INFO**

