

| | | |
|---|---------------------------|--------------------------------------|
| Last Modified: 12-04-2024 | 6.11:8.1.0 | Doc ID: RM100000029RBR |
| Model Year Start: 2023 | Model: Prius Prime | Prod Date Range: [12/2022 -] |
| Title: SEAT BELT: SEAT BELT WARNING SYSTEM (w/o Occupant Classification System): PARTS LOCATION; 2023 - 2024 MY Prius Prius Prime [12/2022 -] | | |

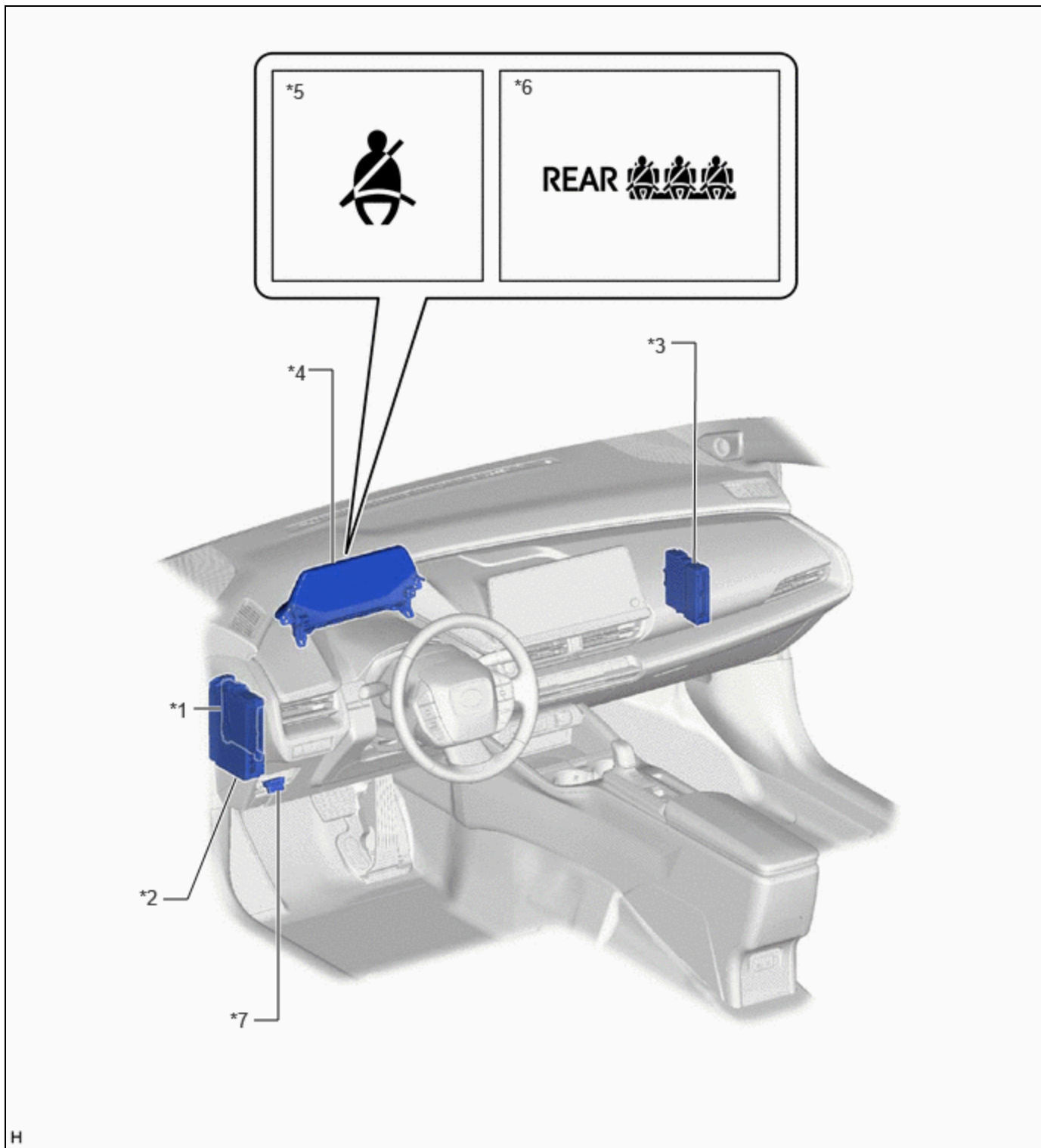
PARTS LOCATION

ILLUSTRATION



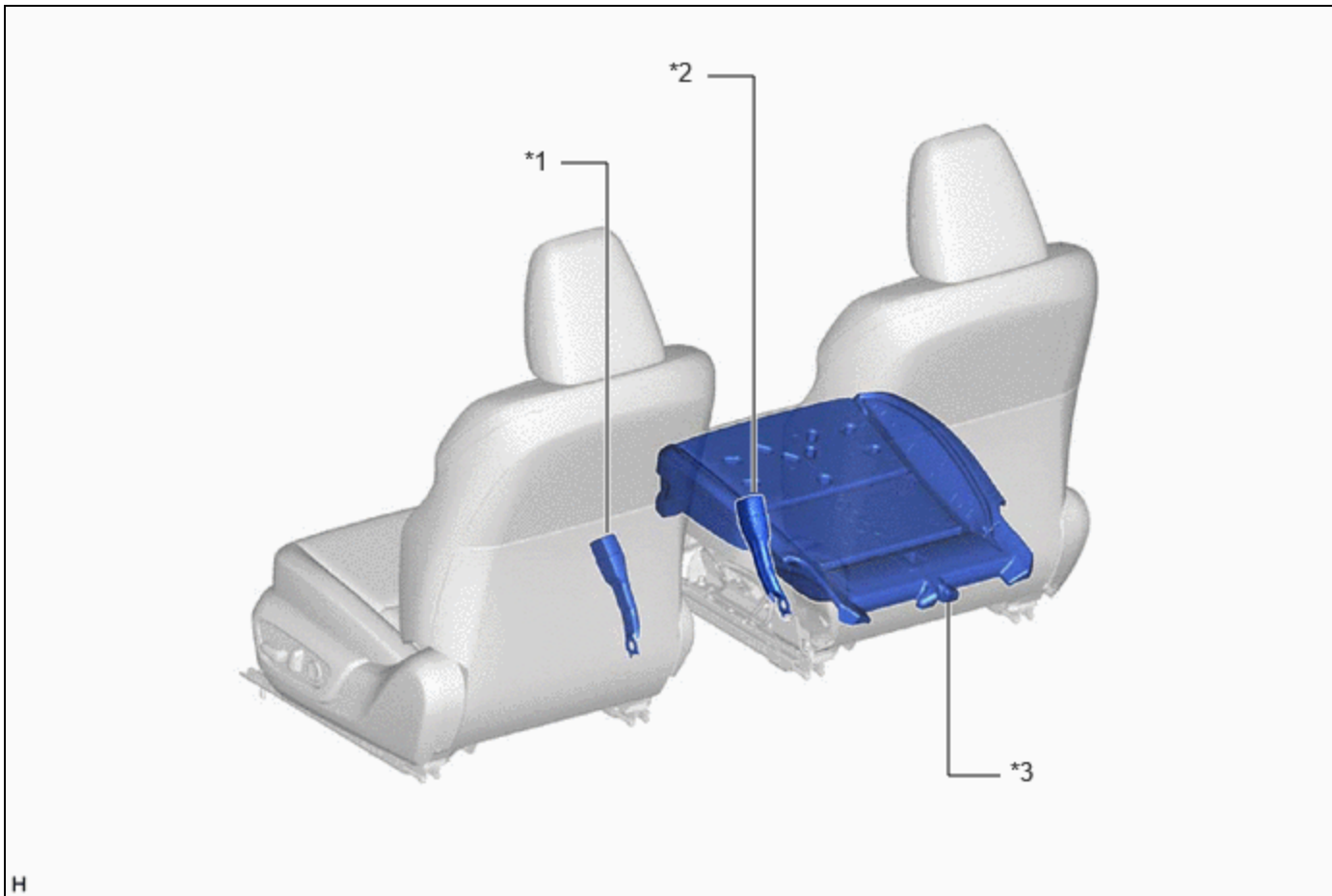
| | | | |
|----|--|---|---|
| *1 | NO. 2 SKID CONTROL ECU (BRAKE ACTUATOR ASSEMBLY) | - | - |
|----|--|---|---|

ILLUSTRATION



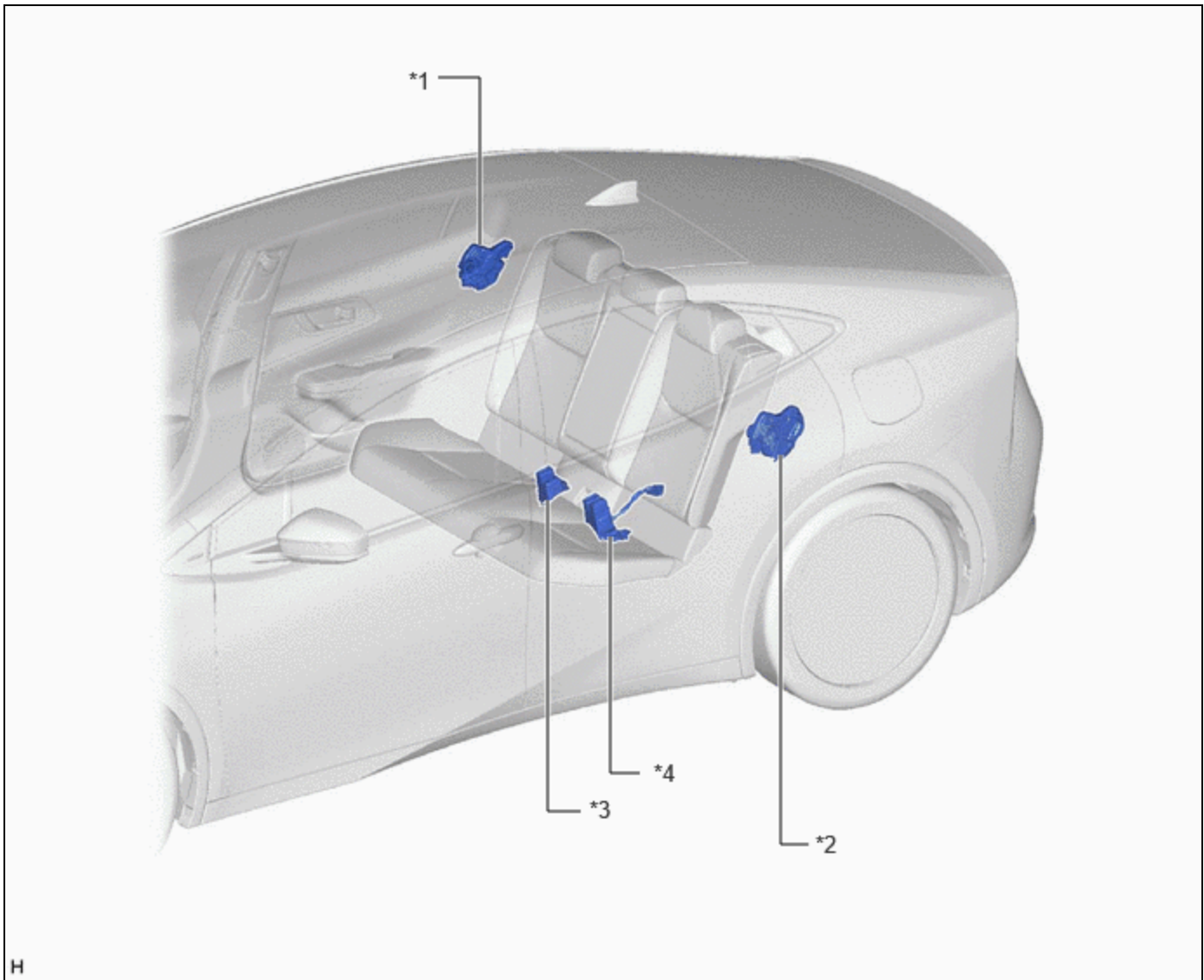
| | | | |
|----|--|----|---|
| *1 | MAIN BODY ECU (MULTIPLEX NETWORK BODY ECU) | *2 | POWER DISTRIBUTION BOX ASSEMBLY |
| *3 | HYBRID VEHICLE CONTROL ECU | *4 | COMBINATION METER ASSEMBLY - SEAT BELT WARNING BUZZER |
| *5 | FRONT SEAT BELT WARNING LIGHT | *6 | REAR SEAT BELT WARNING LIGHT |
| *7 | DLC3 | - | - |

ILLUSTRATION



| | | | |
|----|---|----|--------------------------------------|
| *1 | FRONT SEAT INNER BELT ASSEMBLY LH | *2 | FRONT SEAT INNER BELT ASSEMBLY RH |
| *3 | OCCUPANT DETECTION SENSOR (SEPARATE TYPE FRONT SEAT CUSHION PAD RH) | - | - |

ILLUSTRATION



| | | | |
|----|---|----|---|
| *1 | REAR DOOR LOCK WITH MOTOR ASSEMBLY RH - DOOR COURTESY SWITCH | *2 | REAR DOOR LOCK WITH MOTOR ASSEMBLY LH - DOOR COURTESY SWITCH |
| *3 | REAR SEAT INNER BELT ASSEMBLY RH | *4 | REAR SEAT INNER WITH CENTER BELT ASSEMBLY LH |

