

Last Modified: 12-04-2024	6.11:8.1.0	Doc ID: RM10000002BJ7W
Model Year Start: 2023	Model: Prius Prime	Prod Date Range: [03/2023 -]
Title: SEAT BELT: OCCUPANT DETECTION SENSOR (for Front Passenger Side): REMOVAL; 2023 - 2024 MY Prius Prius Prime [03/2023 -]		

REMOVAL

CAUTION / NOTICE / HINT

The necessary procedures (adjustment, calibration, initialization, or registration) that must be performed after parts are removed and installed, or replaced during occupant detection sensor removal/installation are shown below.

Necessary Procedures After Parts Removed/Installed/Replaced

REPLACED PART OR PERFORMED PROCEDURE	NECESSARY PROCEDURE	EFFECT/INOPERATIVE FUNCTION WHEN NECESSARY PROCEDURE NOT PERFORMED	LINK
w/ Occupant Classification System: Front passenger seat*	Zero point calibration (Occupant classification system)	<ul style="list-style-type: none"> • Occupant Classification System • Passenger airbag ON/OFF indicator • Airbag System (Front passenger side) • Seat Belt Warning System (Front passenger) 	INFO
*: Even when not replacing the part, it is necessary to perform the specified necessary procedures after installation.			

CAUTION:

Be sure to read Precaution thoroughly before servicing.



Click here [INFO](#)

NOTICE:

After the ignition switch is turned off, there may be a waiting time before disconnecting the negative (-) auxiliary battery terminal.

Click here [INFO](#)

HINT:

When the cable is disconnected / reconnected to the auxiliary battery terminal, systems temporarily stop operating. However, each system has a function that completes learning the first time the system is used.

Learning completes when vehicle is driven

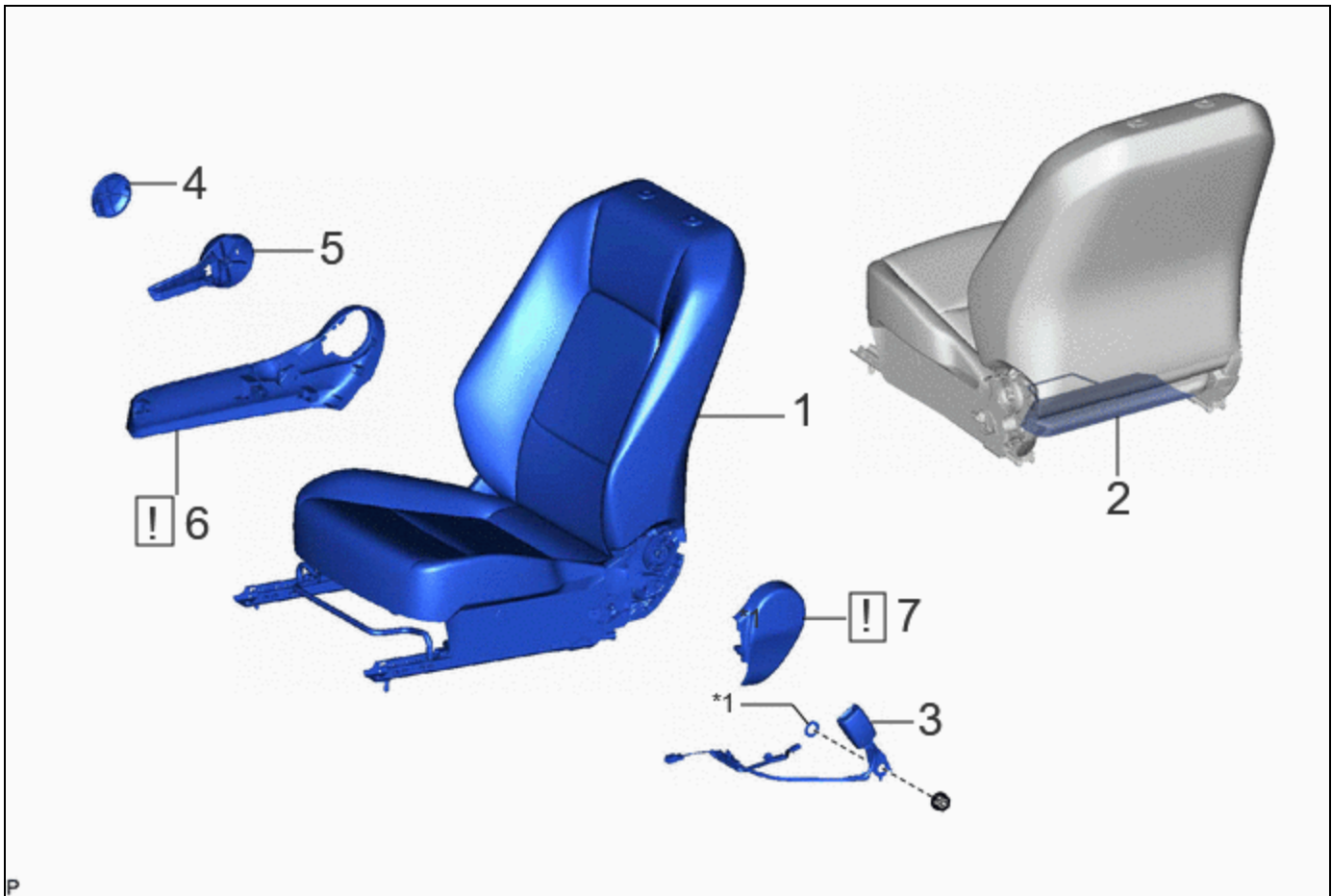
EFFECT/INOPERATIVE FUNCTION WHEN NECESSARY PROCEDURE NOT PERFORMED	NECESSARY PROCEDURE	LINK
Front Camera System	Drive the vehicle straight ahead at 35 km/h (22 mph) or more for 5 seconds or more.	INFO

Learning completes when vehicle is operated normally

EFFECT/INOPERATIVE FUNCTION WHEN NECESSARY PROCEDURE NOT PERFORMED	NECESSARY PROCEDURE	LINK
Power Door Lock Control System*1 <ul style="list-style-type: none"> • Back door opener 	Perform door unlock operation with door control switch or electrical key transmitter sub-assembly switch.	INFO
Power Back Door System*2	Reset back door close position	INFO
Air Conditioning System	<p>for HEV Model:</p> <p>After the ignition switch is turned to ON, the servo motor standard position is recognized.</p> <p>for PHEV Model:</p> <p>After the ignition switch is turned to ON, the servo motor and expansion valve standard position is recognized.</p>	-
*1: w/o Power Back Door System		
*2: w/ Power Back Door System		

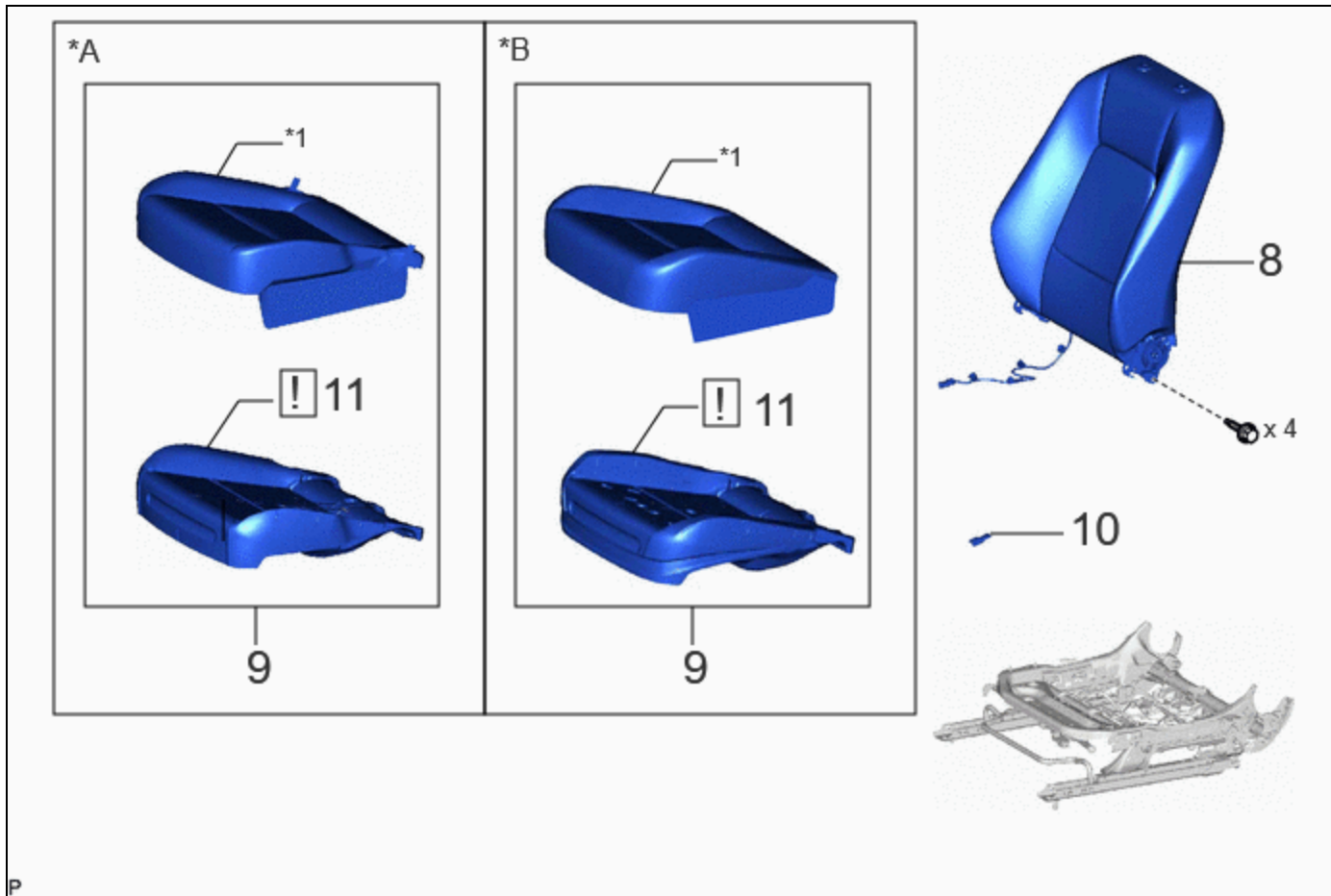
CAUTION / NOTICE / HINT

COMPONENTS (REMOVAL)



PROCEDURE		PART NAME CODE			
1	FRONT SEAT ASSEMBLY	-	-	-	-
2	SEPARATE TYPE FRONT SEATBACK COVER	71073S	-	-	-
3	FRONT SEAT INNER BELT ASSEMBLY	73230	-	-	-
4	RECLINING HINGE COVER	72551B	-	-	-
5	RECLINING ADJUSTER RELEASE HANDLE	72525A	-	-	-
6	FRONT SEAT CUSHION SHIELD	71811D	INFO	-	-
7	FRONT SEAT INNER CUSHION SHIELD	71861	INFO	-	-

*1	FRONT SEAT ANCHOR PLATE	-	-
----	-------------------------	---	---



PROCEDURE		PART NAME CODE			
8	SEPARATE TYPE FRONT SEATBACK ASSEMBLY	-	-	-	-
9	SEPARATE TYPE FRONT SEAT CUSHION COVER WITH PAD	-	-	-	-
10	CONNECTOR HOLDER	82667D	-	-	-
11	OCCUPANT DETECTION SENSOR (SEPARATE TYPE FRONT SEAT CUSHION PAD)	71511S	INFO	-	-

*A	for Standard Seat Type	*B	for Sports Seat Type
*1	SEPARATE TYPE FRONT SEAT CUSHION COVER	-	-

PROCEDURE

1. REMOVE FRONT SEAT ASSEMBLY

(a) Use the same procedure as for the driver side.

Click here [INFO](#)

2. DISCONNECT SEPARATE TYPE FRONT SEATBACK COVER

(a) Use the same procedure as for the driver side.

Click here [INFO](#)

3. REMOVE FRONT SEAT INNER BELT ASSEMBLY

Click here [INFO](#)

4. REMOVE RECLINING HINGE COVER

(a) Use the same procedure as for the driver side.

Click here [INFO](#)

5. REMOVE RECLINING ADJUSTER RELEASE HANDLE

(a) Use the same procedure as for the driver side.

Click here [INFO](#)

6. REMOVE FRONT SEAT CUSHION SHIELD



- Use the same procedure as for the driver side.

Click here [INFO](#)

7. REMOVE FRONT SEAT INNER CUSHION SHIELD



- Use the same procedure as for the driver side.

Click here [INFO](#)

8. REMOVE SEPARATE TYPE FRONT SEATBACK ASSEMBLY

(a) Use the same procedure as for the driver seat.

Click here [INFO](#)

9. REMOVE SEPARATE TYPE FRONT SEAT CUSHION COVER WITH PAD



- Use the same procedure as for the driver side.

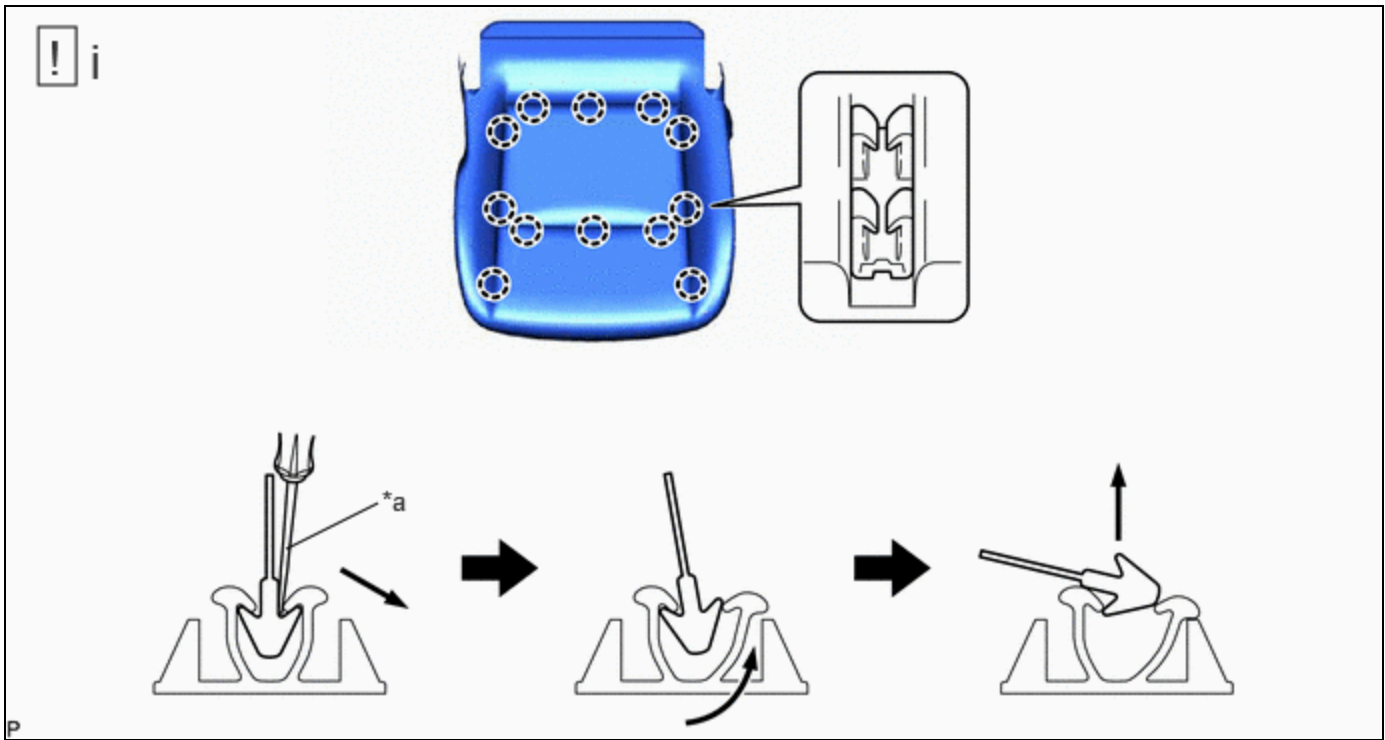
Click here [INFO](#)

10. REMOVE CONNECTOR HOLDER

Click here [INFO](#)

11. REMOVE OCCUPANT DETECTION SENSOR (SEPARATE TYPE FRONT SEAT CUSHION PAD)

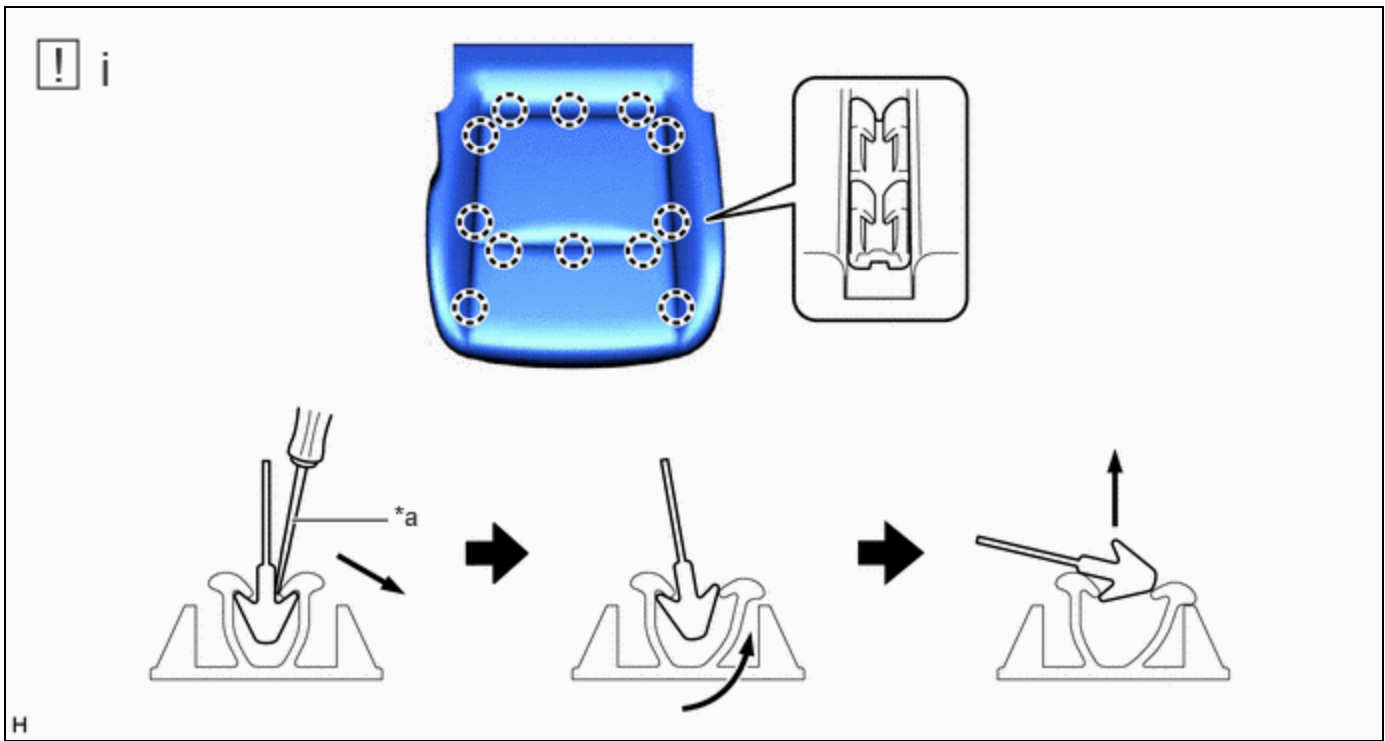
(a) for Standard Seat Type:



*a	Screwdriver	-	-
----	-------------	---	---

(1) Using a screwdriver, disengage the 12 claws and remove the occupant detection sensor (separate type front seat cushion pad) from the separate type front seat cushion cover as shown in the illustration.

(b) for Sporty Seat Type:



*a	Screwdriver	-	-
----	-------------	---	---

(1) Using a screwdriver, disengage the 12 claws and remove the occupant detection sensor (separate type front seat cushion pad) from the separate type front seat cushion cover as shown in the illustration.

