

Last Modified: 12-04-2024	6.11:8.1.0	Doc ID: RM100000029ZOC
Model Year Start: 2023	Model: Prius Prime	Prod Date Range: [12/2022 -]
Title: SEAT BELT: OCCUPANT DETECTION SENSOR (for Front Passenger Side): INSTALLATION; 2023 - 2024 MY Prius Prius Prime [12/2022 -]		

INSTALLATION

CAUTION / NOTICE / HINT

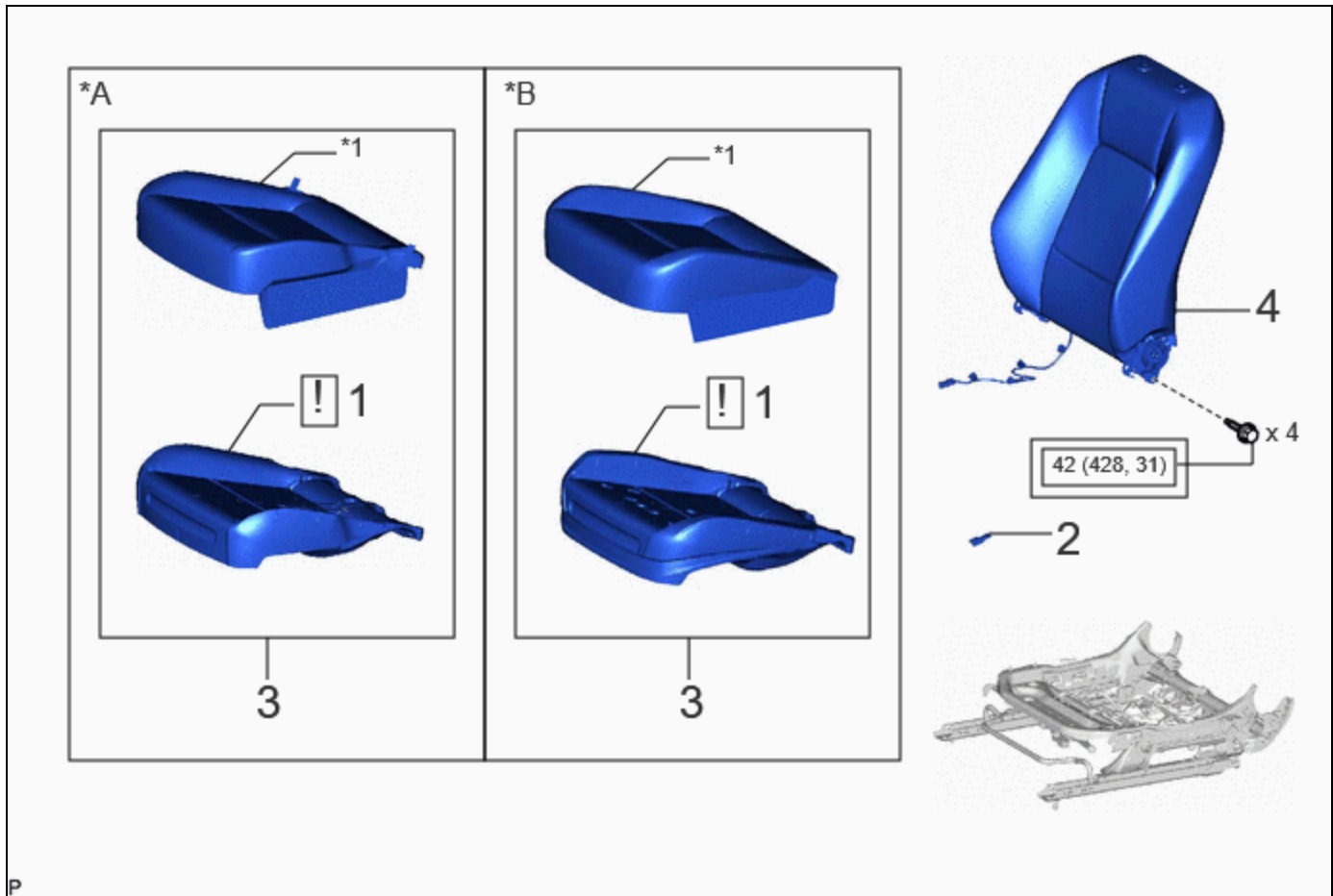
CAUTION:

Wear protective gloves. Sharp areas on the parts may injure your hands.



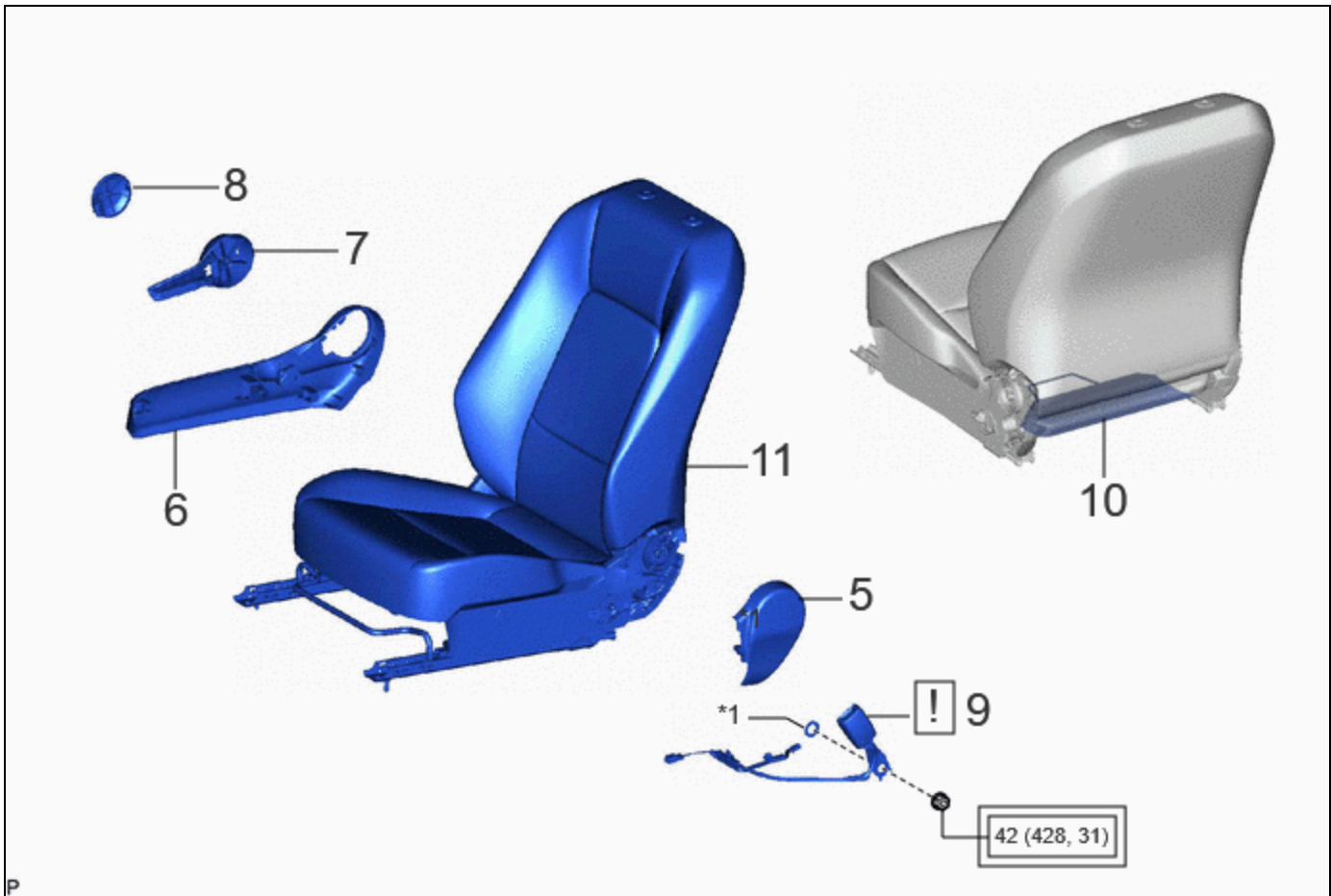
CAUTION / NOTICE / HINT

COMPONENTS (INSTALLATION)



	PROCEDURE	PART NAME CODE			
1	OCCUPANT DETECTION SENSOR (SEPARATE TYPE FRONT SEAT CUSHION PAD)	71511S		-	-
2	CONNECTOR HOLDER	82667D	-	-	-
3	SEPARATE TYPE FRONT SEAT CUSHION COVER WITH PAD	-	-	-	-
4	SEPARATE TYPE FRONT SEATBACK ASSEMBLY	-	-	-	-

*1	SEPARATE TYPE FRONT SEAT CUSHION COVER	-	-
	Tightening torque for "Major areas involving basic vehicle performance such as moving/turning/stopping": N*m (kgf*cm, ft.*lbf)	-	-




PROCEDURE		PART NAME CODE			
5	FRONT SEAT INNER CUSHION SHIELD	71861	-	-	-
6	FRONT SEAT CUSHION SHIELD	71811D	-	-	-
7	RECLINING ADJUSTER RELEASE HANDLE	72525A	-	-	-
8	RECLINING HINGE COVER	72551B	-	-	-
9	FRONT SEAT INNER BELT ASSEMBLY	73230		-	-
10	SEPARATE TYPE FRONT SEATBACK COVER	71073S	-	-	-
11	FRONT SEAT ASSEMBLY	-	-	-	-

*1	FRONT SEAT ANCHOR PLATE	-	-
	Tightening torque for "Major areas involving basic vehicle performance such as moving/turning/stopping" : N*m (kgf*cm, ft.*lbf)	-	-

PROCEDURE

1. INSTALL OCCUPANT DETECTION SENSOR (SEPARATE TYPE FRONT SEAT CUSHION PAD)

	<p>NOTICE:</p> <p>When installing a separate type front seat cushion cover, refer to Precaution in order to prevent wrinkles from forming.</p> <p>Click here INFO</p>
---	--

2. INSTALL CONNECTOR HOLDER

3. INSTALL SEPARATE TYPE FRONT SEAT CUSHION COVER WITH PAD

4. INSTALL SEPARATE TYPE FRONT SEATBACK ASSEMBLY

(a) Use the same procedure as for the driver side.

Click here [INFO](#)


5. INSTALL FRONT SEAT INNER CUSHION SHIELD

6. INSTALL FRONT SEAT CUSHION SHIELD

7. INSTALL RECLINING ADJUSTER RELEASE HANDLE

8. INSTALL RECLINING HINGE COVER

9. INSTALL FRONT SEAT INNER BELT ASSEMBLY

	<p>Click here INFO</p>
--	--

10. CONNECT SEPARATE TYPE FRONT SEATBACK COVER

11. INSTALL FRONT SEAT ASSEMBLY

Click here [INFO](#)

