

<b>Last Modified:</b> 12-04-2024	6.11:8.1.0	<b>Doc ID:</b> RM100000002BG8H
<b>Model Year Start:</b> 2023	<b>Model:</b> Prius Prime	<b>Prod Date Range:</b> [03/2023 - ]
<b>Title:</b> SEAT: REAR SEAT CUSHION HEATER: INSTALLATION; 2023 - 2024 MY Prius Prius Prime [03/2023 - ]		

## INSTALLATION

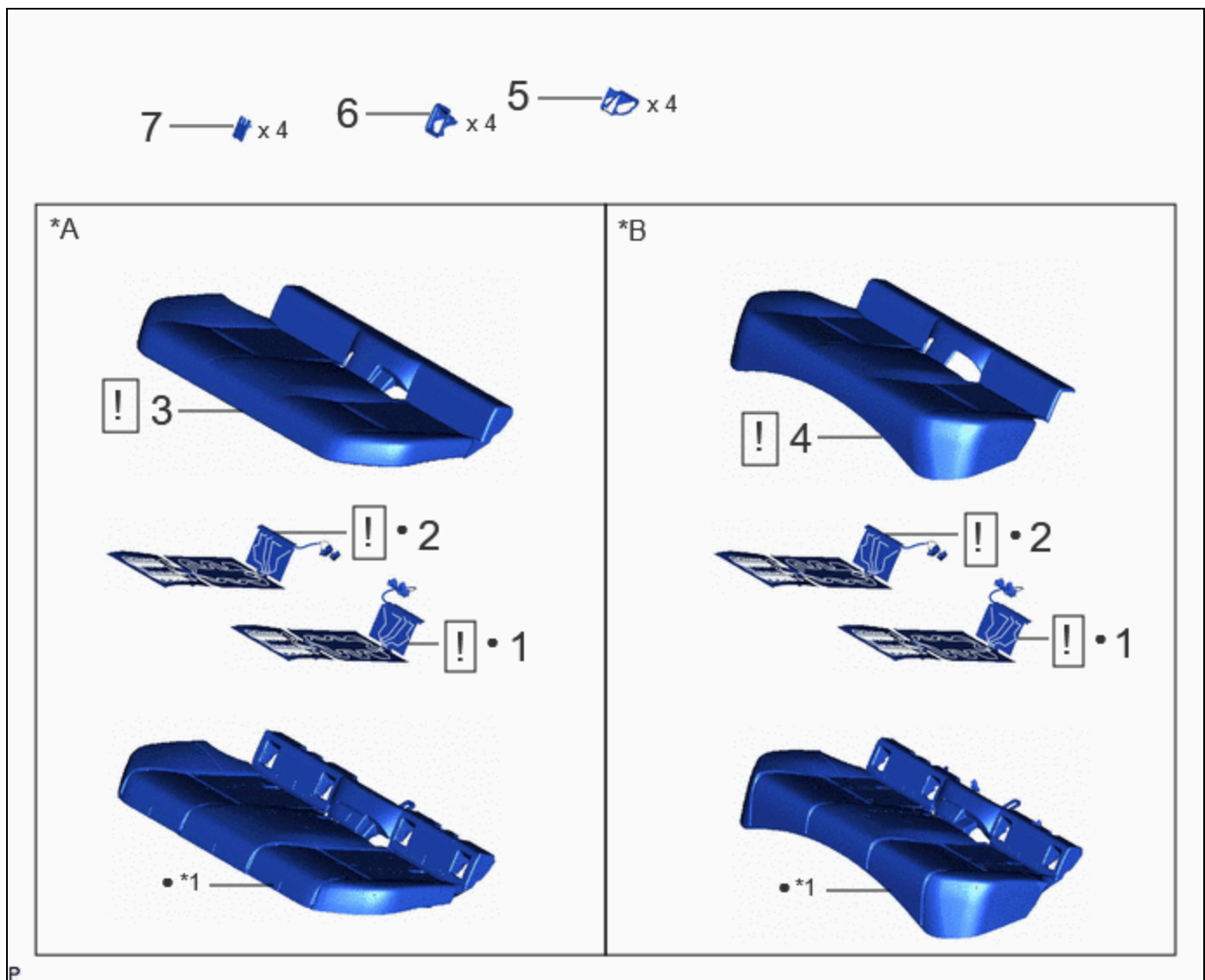
### CAUTION / NOTICE / HINT




**CAUTION:**

Wear protective gloves. Sharp areas on the parts may injure your hands.

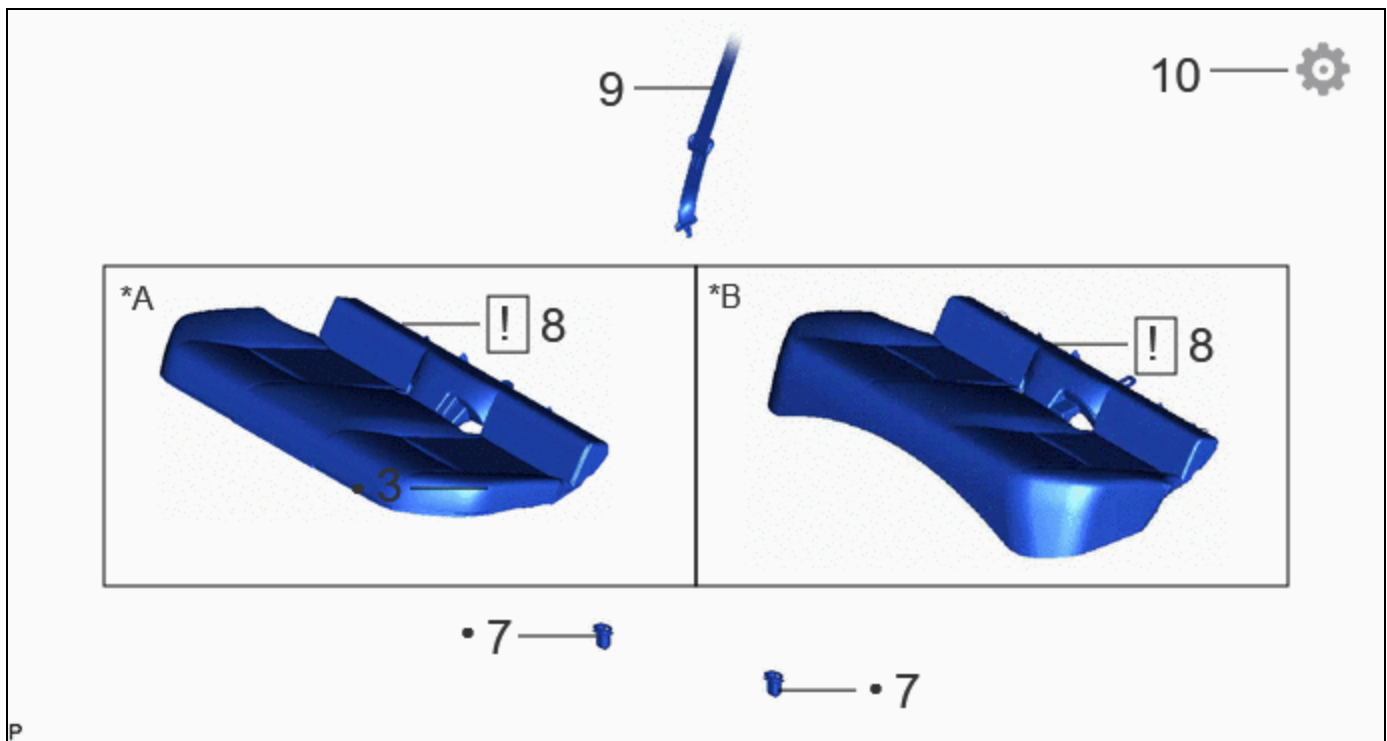
### CAUTION / NOTICE / HINT




#### COMPONENTS (INSTALLATION)



PROCEDURE		PART NAME CODE			
1	REAR NO. 1 SEAT CUSHION HEATER ASSEMBLY LH	87510Y	INFO	-	-
2	REAR NO. 1 SEAT CUSHION HEATER ASSEMBLY RH	87510Z	INFO	-	-
3	BENCH TYPE REAR SEAT CUSHION COVER	71075B	INFO	-	-
4	BENCH TYPE REAR SEAT CUSHION COVER	71075B	INFO	-	-
5	CHILD RESTRAINT SEAT GUIDE CUP	73735A	-	-	-
6	CHILD RESTRAINT SEAT BASE COVER	73733	-	-	-
7	CHILD RESTRAINT SEAT COVER	73731	-	-	-

*A	for HEV Model	*B	for PHEV Model
*1	REAR SEAT CUSHION PAD SUB-ASSEMBLY	-	-
•	Non-reusable part	-	-

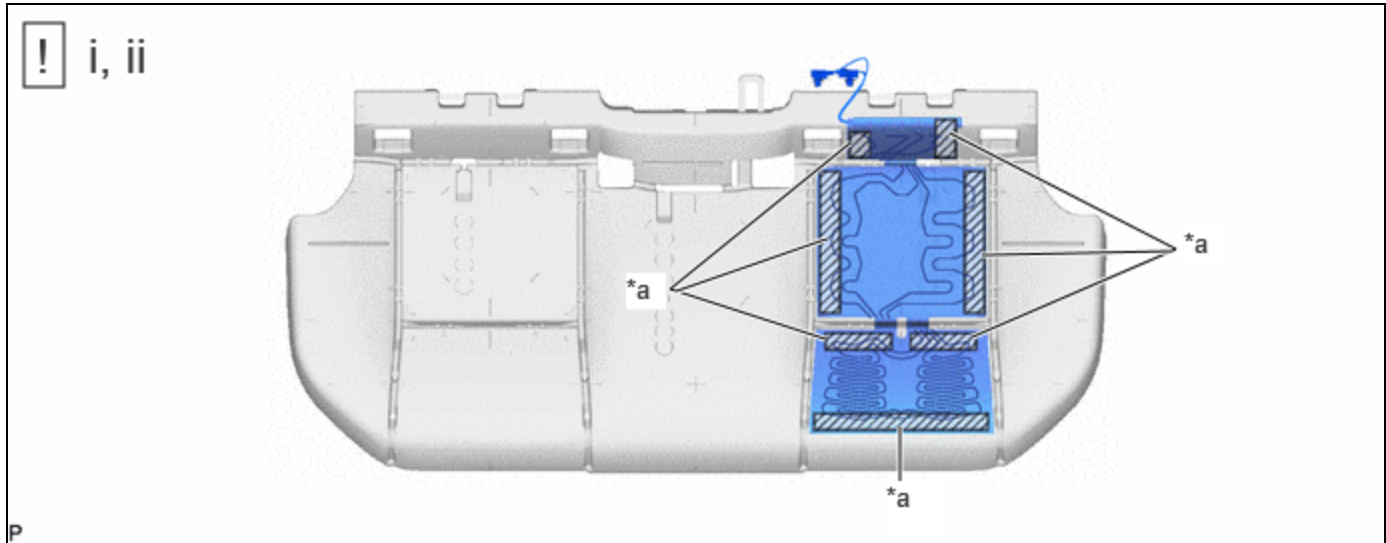


PROCEDURE		PART NAME CODE			
7	REAR SEAT CUSHION LOCK HOOK	-	-	-	-
8	REAR SEAT CUSHION ASSEMBLY	-	INFO	-	-
9	REAR CENTER SEAT OUTER BELT ASSEMBLY	-	-	-	-
10	CHECK SEAT HEATER	-	-	-	INFO

*A	for HEV Model	*B	for PHEV Model
•	Non-reusable part	-	-

## PROCEDURE

### 1. INSTALL REAR NO. 1 SEAT CUSHION HEATER ASSEMBLY LH



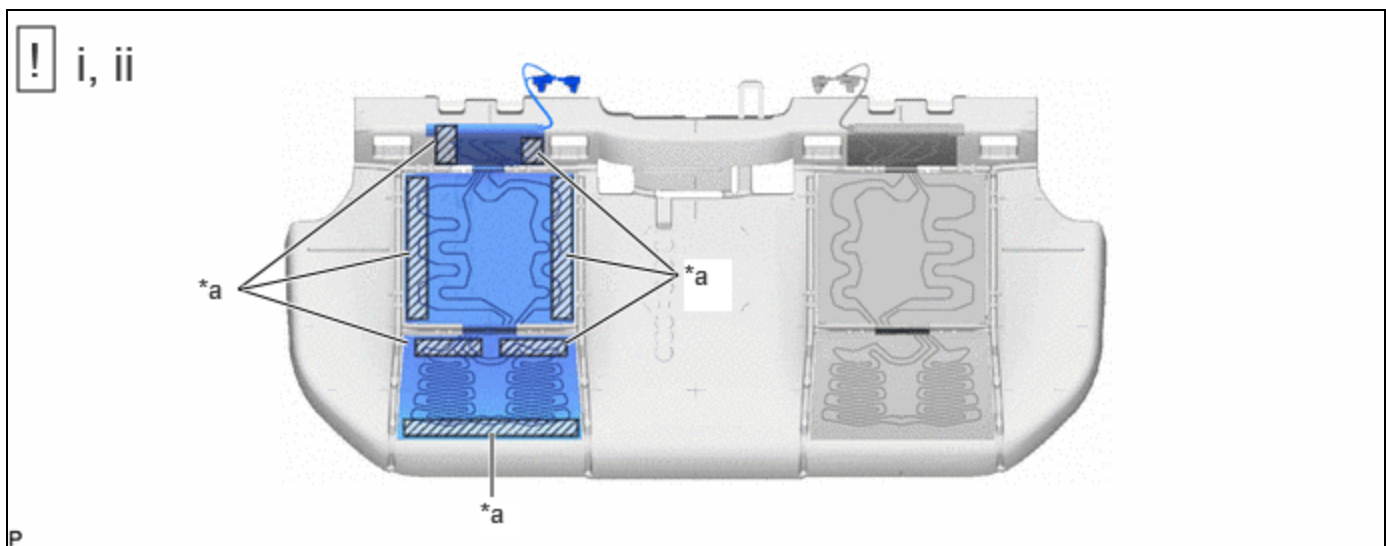
*a	Double-Sided Tape	-	-
----	-------------------	---	---

- (1) Remove the release paper from the new rear No.1 seat cushion heater assembly LH.
- (2) Install the new rear No.1 seat cushion heater assembly LH as shown in the illustration.

**NOTICE:**

Press the rear No.1 seat cushion heater assembly LH firmly to install it.

### 2. INSTALL REAR NO. 1 SEAT CUSHION HEATER ASSEMBLY RH



*a	Double-Sided Tape	-	-
----	-------------------	---	---


- (1) Remove the release paper from the new rear No.1 seat cushion heater assembly RH.

(2) Install the new rear No.1 seat cushion heater assembly RH as shown in the illustration.


**NOTICE:**

Press the rear No.1 seat cushion heater assembly RH firmly to install it.

**3. INSTALL BENCH TYPE REAR SEAT CUSHION COVER (for HEV Model)**

	<p><b>NOTICE:</b></p> <p>When installing a bench type rear seat cushion cover, refer to Precaution in order to prevent wrinkles from forming.</p> <p>Click here <a href="#">INFO</a></p>
---	--

**4. INSTALL BENCH TYPE REAR SEAT CUSHION COVER (for PHEV Model)**

	<p><b>NOTICE:</b></p> <p>When installing a bench type rear seat cushion cover, refer to Precaution in order to prevent wrinkles from forming.</p> <p>Click here <a href="#">INFO</a></p>
---	--

**5. INSTALL CHILD RESTRAINT SEAT GUIDE CUP**

**6. INSTALL CHILD RESTRAINT SEAT BASE COVER**

**7. INSTALL CHILD RESTRAINT SEAT COVER**

**8. INSTALL REAR SEAT CUSHION LOCK HOOK**

**9. INSTALL REAR SEAT CUSHION ASSEMBLY**

	<p><b>NOTICE:</b></p> <p>Confirm that the rear seat cushion assembly is securely installed.</p>
---	---

**10. CONNECT REAR CENTER SEAT OUTER BELT ASSEMBLY**

**11. CHECK SEAT HEATER**

Click here [INFO](#)

