

Last Modified: 12-04-2024	6.11:8.1.0	Doc ID: RM100000002BGFD
Model Year Start: 2023	Model: Prius Prime	Prod Date Range: [03/2023 -]
Title: SEAT: REAR SEAT ASSEMBLY: REMOVAL; 2023 - 2024 MY Prius Prius Prime [03/2023 -]		

REMOVAL

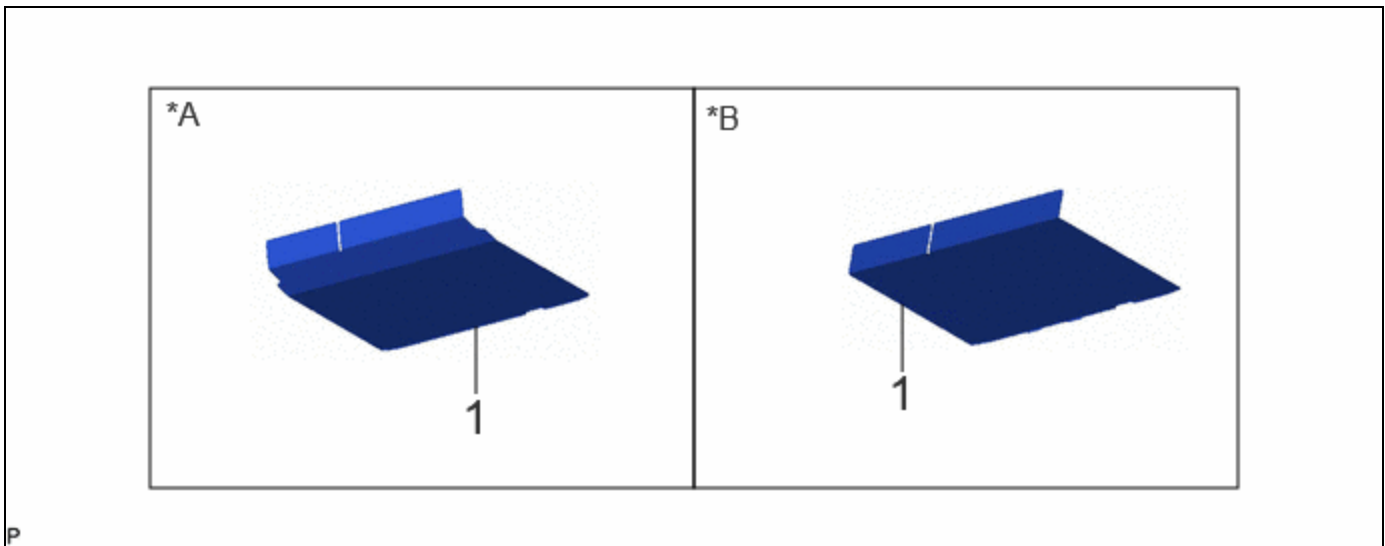
CAUTION / NOTICE / HINT

CAUTION:

Wear protective gloves. Sharp areas on the parts may injure your hands.

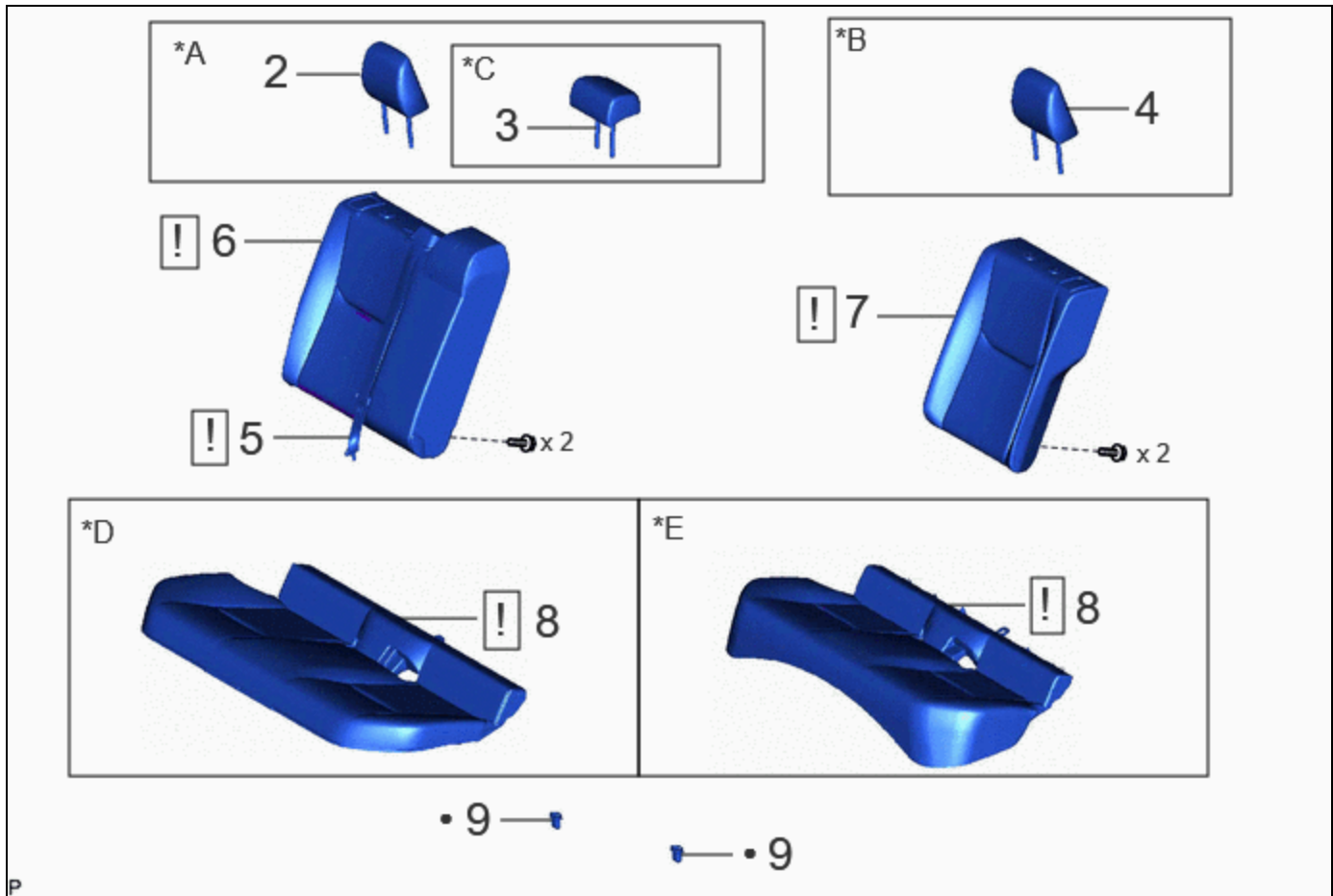
CAUTION / NOTICE / HINT

COMPONENTS (REMOVAL)



PROCEDURE		PART NAME CODE			
1	DECK BOARD ASSEMBLY	58410B	-	-	-

*A	for Type A	*B	for Type B
----	------------	----	------------



PROCEDURE		PART NAME CODE			
2	REAR SEAT HEADREST ASSEMBLY	71940A	-	-	-
3	REAR SEAT CENTER HEADREST ASSEMBLY	71960B	-	-	-
4	REAR SEAT HEADREST ASSEMBLY	71940A	-	-	-
5	REAR CENTER SEAT OUTER BELT ASSEMBLY	73350C	INFO	-	-
6	REAR SEATBACK ASSEMBLY RH	-	INFO	-	-
7	REAR SEATBACK ASSEMBLY LH	-	INFO	-	-
8	REAR SEAT CUSHION ASSEMBLY	-	INFO	-	-
9	REAR SEAT CUSHION LOCK HOOK	72693	-	-	-

*A	for RH Side	*B	for LH Side
*C	w/ Center Headrest	*D	for HEV Model
*E	for PHEV Model	-	-
•	Non-reusable part	-	-

PROCEDURE

1. REMOVE DECK BOARD ASSEMBLY

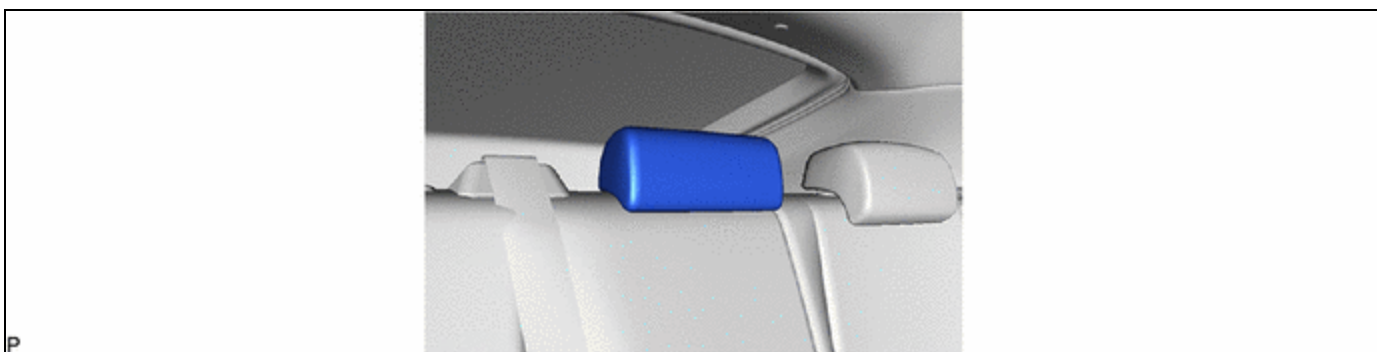
Click here [INFO](#)

2. REMOVE REAR SEAT HEADREST ASSEMBLY (for RH Side)

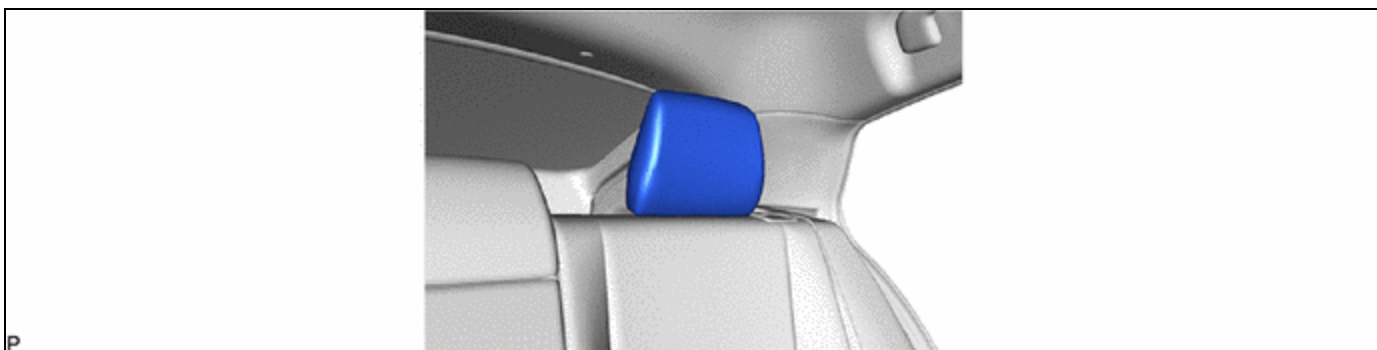


3. REMOVE REAR SEAT CENTER HEADREST ASSEMBLY (for RH Side)

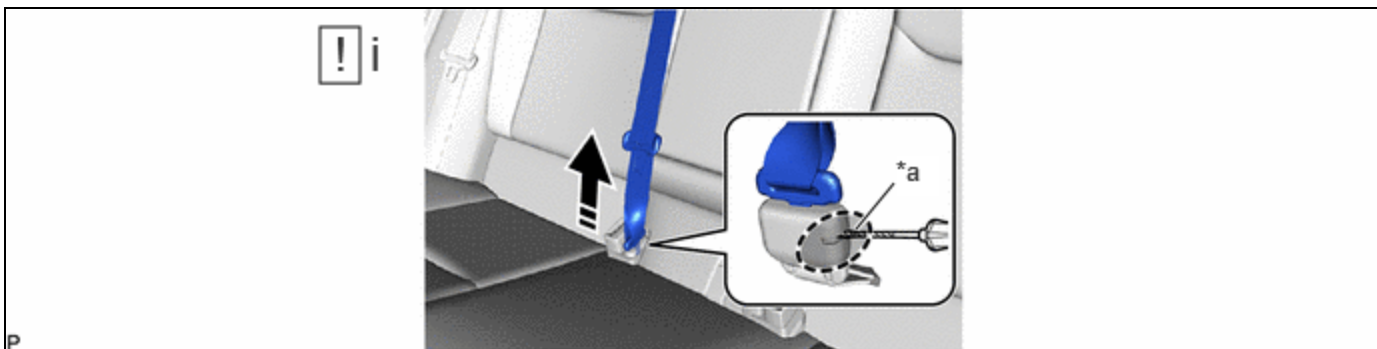
(a) w/ Center Headrest:





4. REMOVE REAR SEAT HEADREST ASSEMBLY (for LH Side)



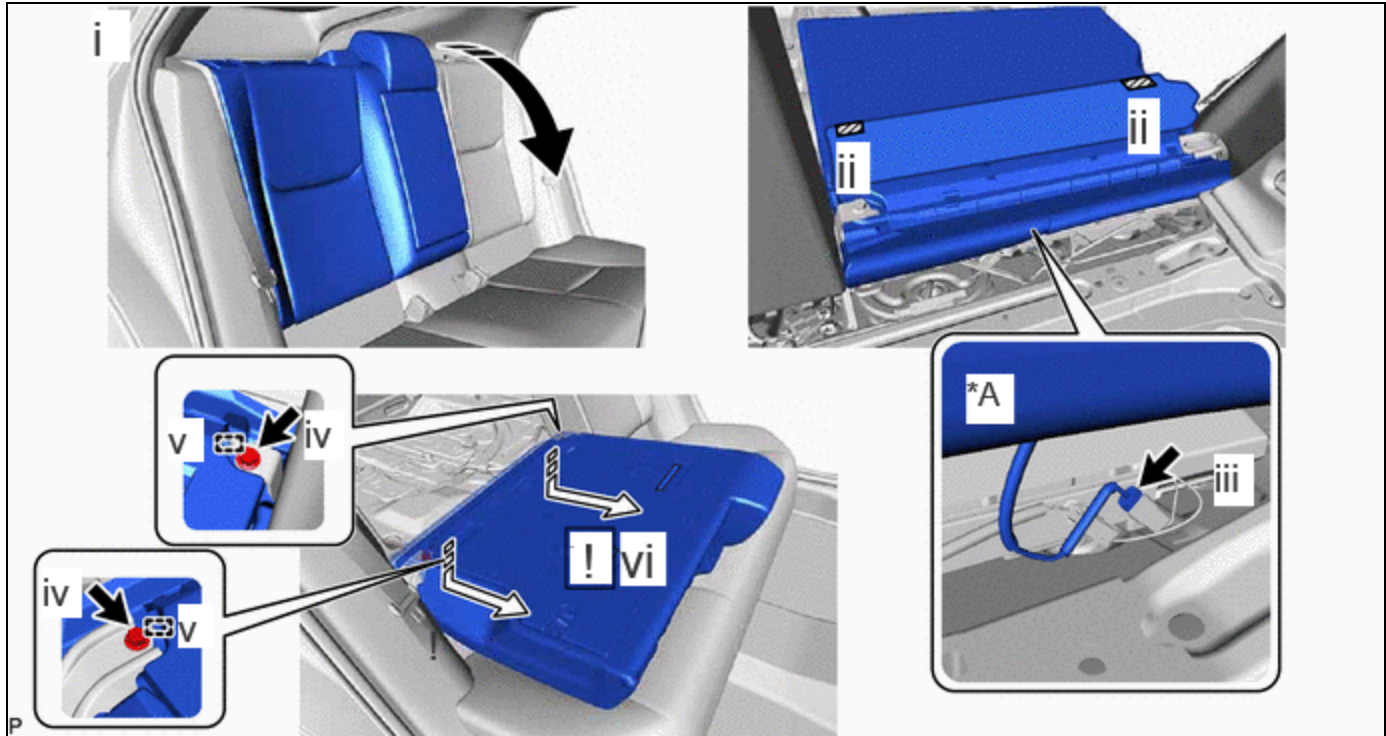
5. DISCONNECT REAR CENTER SEAT OUTER BELT ASSEMBLY





*a	Protective Tape	-	-
	Remove in this Direction		Insert Screwdriver Here

(1) Using a screwdriver with its tip wrapped with protective tape, disconnect the rear center seat outer belt assembly.

6. REMOVE REAR SEATBACK ASSEMBLY RH



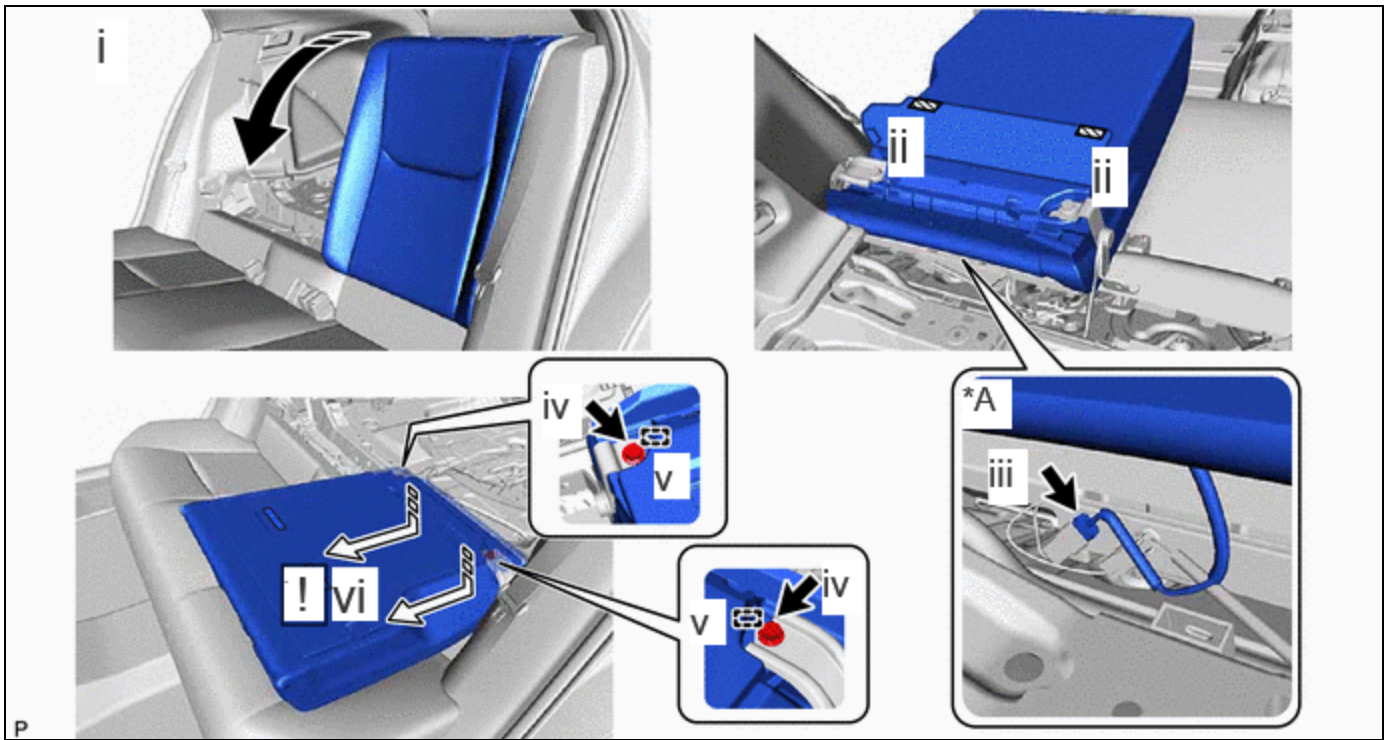
*A	w/ Seat Heater System	-	-
	Direction to defeat		Remove in this Direction

- (1) Fold the rear seatback assembly RH forward.
- (2) Disengage the 2 fasteners.
- (3) Disconnect the connector. (w/ Seat Heater System)
- (4) Remove the 2 bolts.
- (5) Disengage the 2 guides and shift the rear seatback assembly RH.
- (6) Remove the rear seatback assembly RH as shown in the illustration.

NOTICE:

Be careful not to damage the vehicle body.

7. REMOVE REAR SEATBACK ASSEMBLY LH



*A	w/ Seat Heater System	-	-
	Direction to defeat		Remove in this Direction

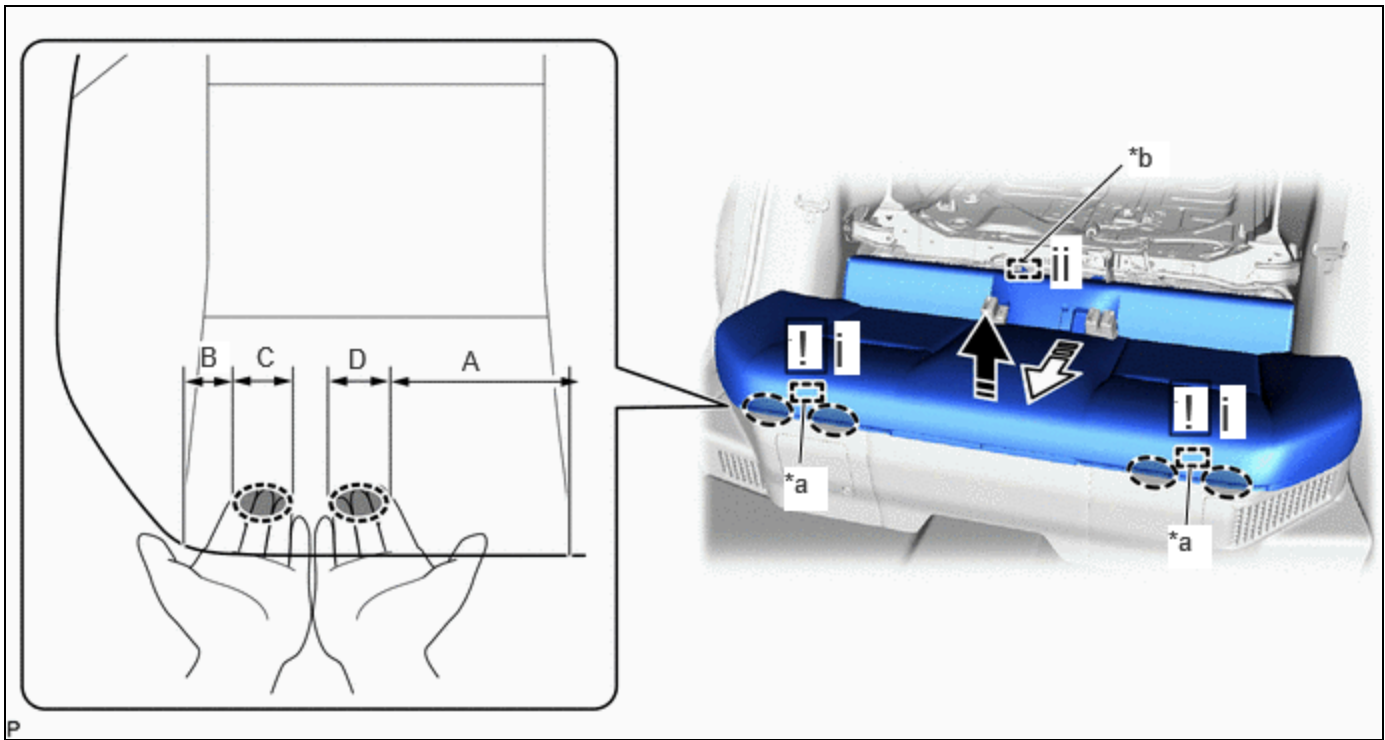
- (1) Fold the rear seatback assembly LH forward.
- (2) Disengage the 2 fasteners.
- (3) Disconnect the connector. (w/ Seat Heater System)
- (4) Remove the 2 bolts.
- (5) Disengage the 2 guides and shift the rear seatback assembly LH.
- (6) Remove the rear seatback assembly LH as shown in the illustration.

NOTICE:

Be careful not to damage the vehicle body.

8. REMOVE REAR SEAT CUSHION ASSEMBLY

(a) for HEV Model:



*a	Rear Seat Cushion Frame Hook (Front Side)	*b	Rear Seat Cushion Frame Hook (Rear Side)
	Place Hand Here		Remove in this Direction (1)
	Remove in this Direction (2)	-	-

(1) Lift the front edge of the rear seat cushion assembly as shown in the illustration and disengage the 2 rear seat cushion frame hooks on the front side of the rear seat cushion assembly from the rear seat cushion lock hooks.

Standard Measurement:

AREA	MEASUREMENT	AREA	MEASUREMENT
A	95.6 mm (3.76 in.)	B	26.4 mm (1.04 in.)
C	51.2 mm (2.02 in.)	D	56.4 mm (2.22 in.)

NOTICE:

- Disengage each hook at the front part of the rear seat cushion frame one area at a time.
- Be sure to hold the parts of the seat cushion assembly directly next to the rear seat cushion frame hooks when lifting it. Lifting a different part of the cushion may deform the rear seat cushion frame.

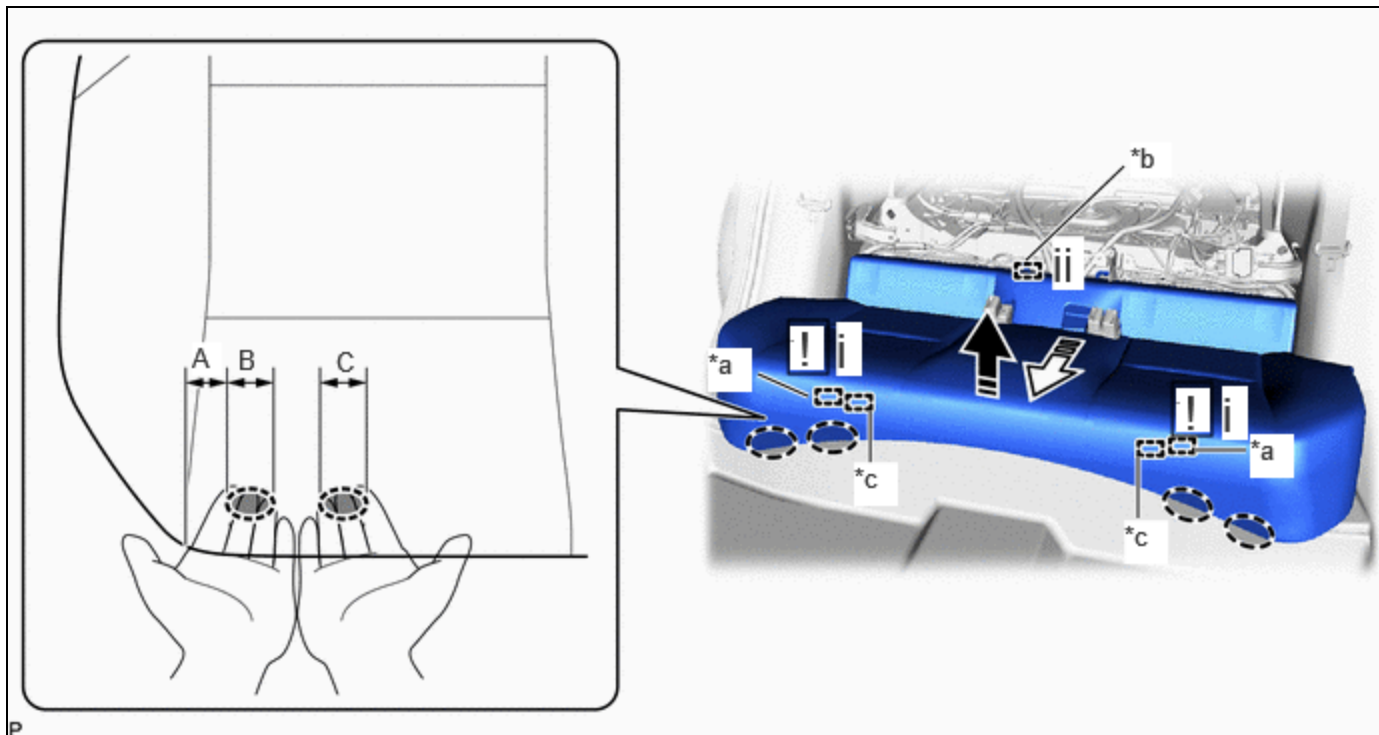
(2) Disengage the rear seat cushion frame hook on the rear side of the rear seat cushion assembly as shown in the illustration.

(b) Remove the rear seat cushion assembly.

NOTICE:

Be careful not to damage the vehicle body.

(c) for PHEV Model:



*a	Rear Seat Cushion Frame Hook (Front Side)	*b	Rear Seat Cushion Frame Hook (Rear Side)
*c	Guide	-	-
	Place Hand Here		Remove in this Direction (1)
	Remove in this Direction (2)	-	-

(1) Lift the front edge of the rear seat cushion assembly as shown in the illustration and disengage the 2 rear seat cushion frame hooks and 2 guides on the front side of the rear seat cushion assembly from the rear seat cushion lock hooks.

Standard Measurement:

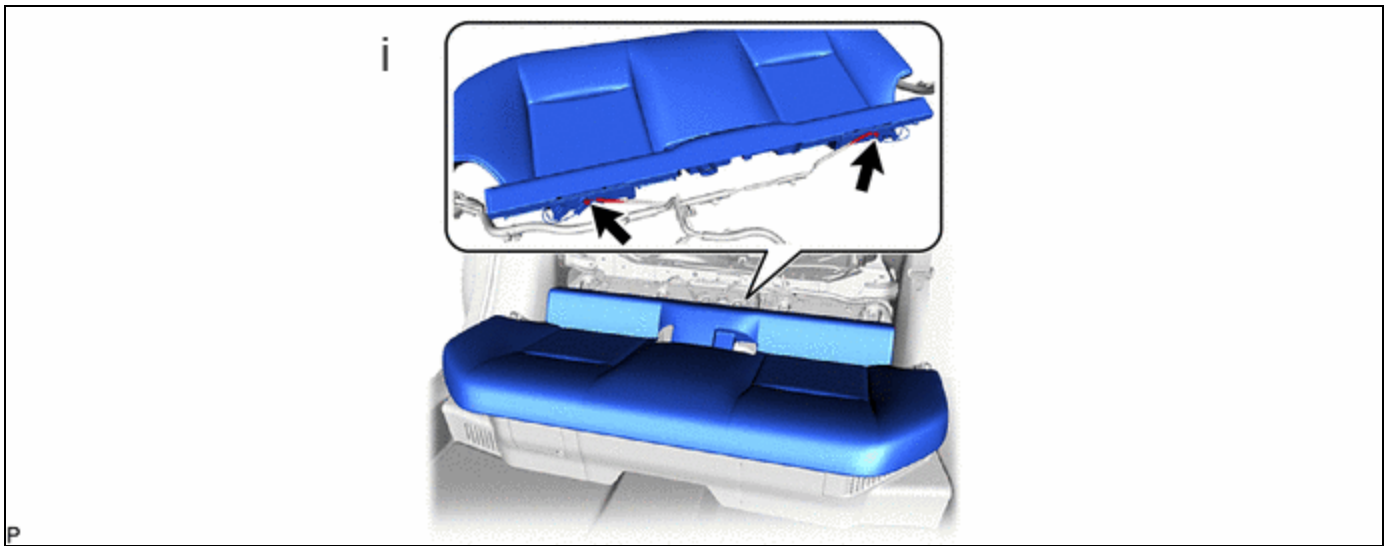
AREA	MEASUREMENT	AREA	MEASUREMENT
A	55.0 mm (2.17 in.)	B	60.0 mm (2.36 in.)
C	62.0 mm (2.44 in.)	-	-

NOTICE:

- Disengage each hook at the front part of the rear seat cushion frame one area at a time.
- Be sure to hold the parts of the seat cushion assembly directly next to the rear seat cushion frame hooks when lifting it. Lifting a different part of the cushion may deform the rear seat cushion frame.

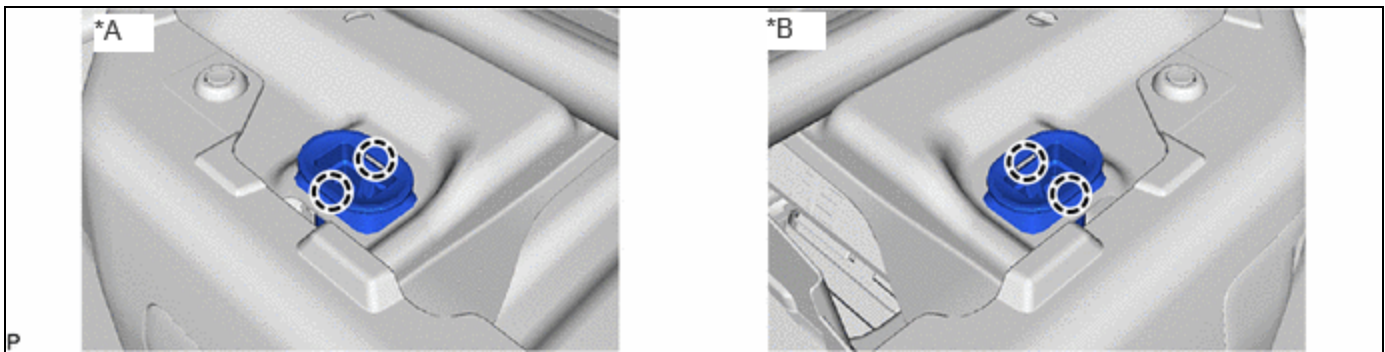
(2) Disengage the rear seat cushion frame hook on the rear side of the rear seat cushion assembly as shown in the illustration.

(d) w/ Seat Heater System:



(1) Disconnect the 2 connectors.

9. REMOVE REAR SEAT CUSHION LOCK HOOK



*A	for RH Side	*B	for LH Side
----	-------------	----	-------------

