

| | | |
|-----------------------------------------------------------------------------------------------------------------|---------------------------|--------------------------------------|
| Last Modified: 12-04-2024 | 6.11:8.1.0 | Doc ID: RM100000002D92H |
| Model Year Start: 2023 | Model: Prius Prime | Prod Date Range: [12/2022 -] |
| Title: SEAT: POWER SEAT TRACK RAIL ASSEMBLY: INSTALLATION; 2023 - 2024 MY Prius Prius Prime [12/2022 -] | | |

INSTALLATION

CAUTION / NOTICE / HINT

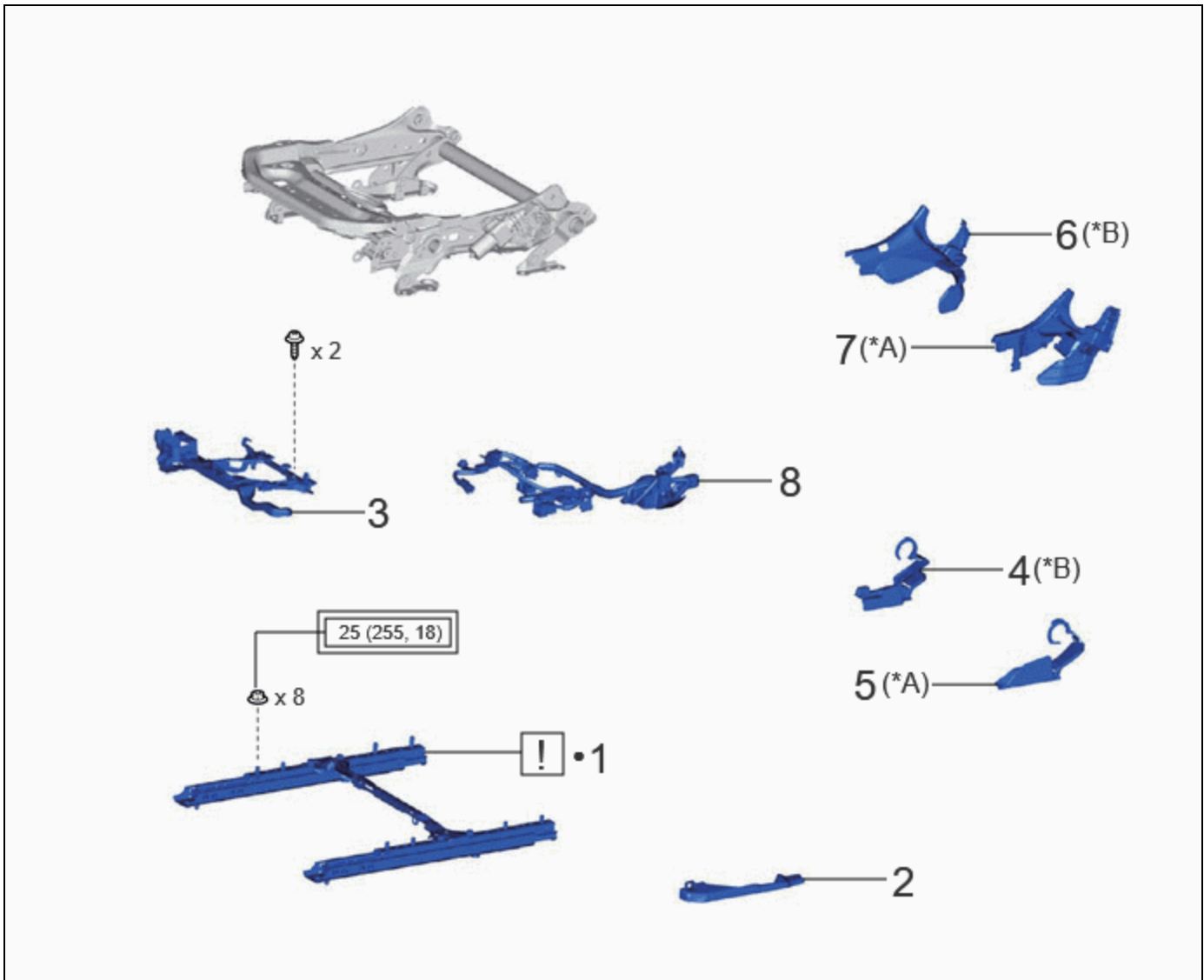


CAUTION:

Wear protective gloves. Sharp areas on the parts may injure your hands.


CAUTION / NOTICE / HINT

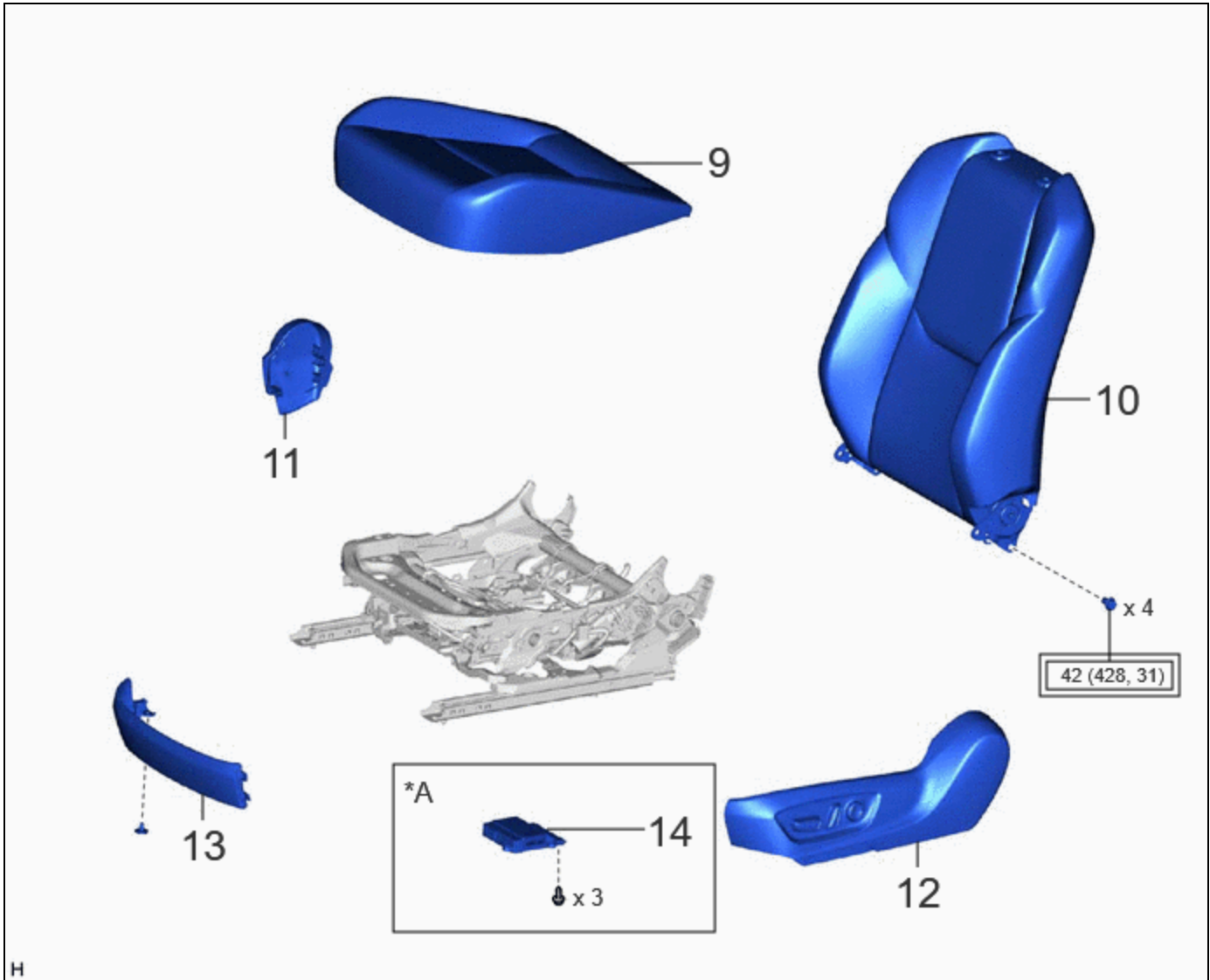
COMPONENTS (INSTALLATION)







| | PROCEDURE | PART NAME CODE | | | |
|---|-----------------------------------------|----------------|----------------------|---|---|
| 1 | UPPER SEAT TRACK RAIL SUB-ASSEMBLY | - | INFO | - | - |
| 2 | FRONT SEAT LOWER CUSHION SHIELD LH | 71874U | - | - | - |
| 3 | FRONT SEAT CUSHION WIRE HARNESS HOLDER | 7181B | - | - | - |
| 4 | FRONT SEAT LOWER CUSHION SHIELD | 71873A | - | - | - |
| 5 | FRONT SEAT LOWER CUSHION SHIELD | 71874A | - | - | - |
| 6 | LH SEAT RECLINING ADJUSTER INSIDE COVER | 71875G | - | - | - |
| 7 | LH SEAT RECLINING ADJUSTER INSIDE COVER | 71876G | - | - | - |
| 8 | FRONT SEAT WIRE | 82192 | - | - | - |

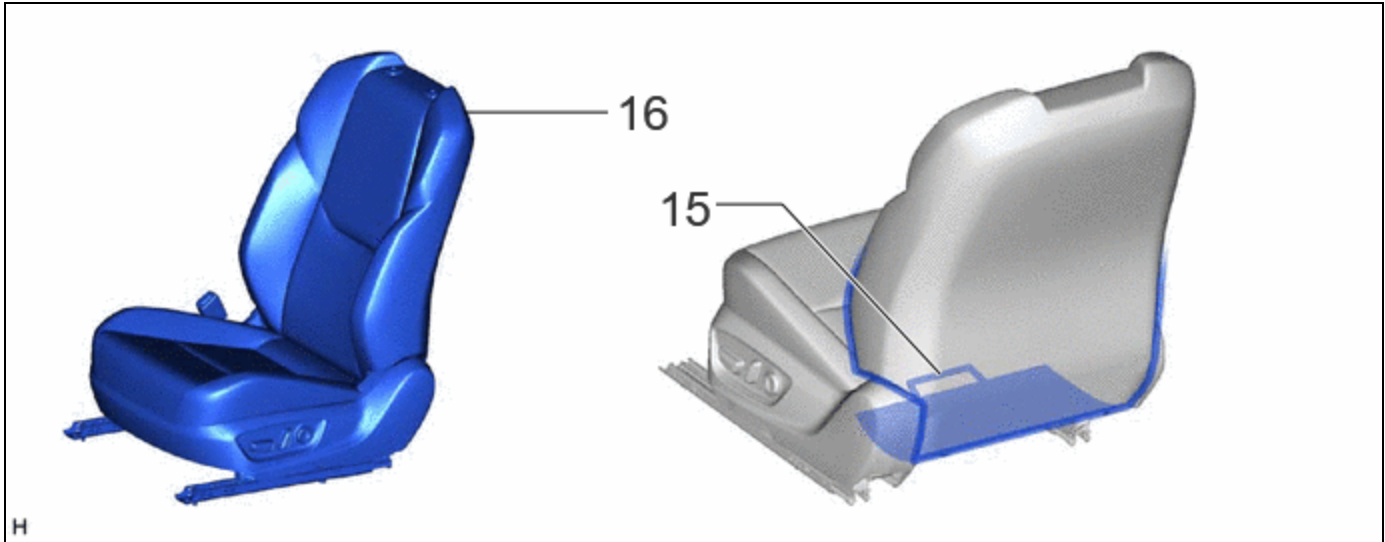
| | | | |
|----|-------------|----|-------------|
| *A | for LH Side | *B | for RH Side |
|----|-------------|----|-------------|




| | | |
|-----------------------------------------------------------------------------------|--------------------------------------------------------------------------------------------------------------------------------|-----------------------------------------------------------------------|
|  | Tightening torque for "Major areas involving basic vehicle performance such as moving/turning/stopping": N*m (kgf*cm, ft.*lbf) | <ul style="list-style-type: none"> • Non-reusable part |
|-----------------------------------------------------------------------------------|--------------------------------------------------------------------------------------------------------------------------------|-----------------------------------------------------------------------|



| | PROCEDURE | PART NAME CODE |  |  |  |
|----|-------------------------------------------------|-------------------|---------------------------------------------------------------------------------------|---------------------------------------------------------------------------------------|---------------------------------------------------------------------------------------|
| 9 | SEPARATE TYPE FRONT SEAT CUSHION COVER WITH PAD | - | - | - | - |
| 10 | SEPARATE TYPE FRONT SEATBACK ASSEMBLY | - | - | - | - |
| 11 | FRONT SEAT INNER CUSHION SHIELD | 71862 | - | - | - |
| 12 | FRONT SEAT CUSHION SHIELD | 71812D | - | - | - |
| 13 | FRONT SEAT FRONT CUSHION SHIELD | 71868N | - | - | - |
| 14 | POSITION CONTROL ECU ASSEMBLY | 89710D | - | - | - |

| | | | |
|-----------------------------------------------------------------------------------|--------------------------------------------------------------------------------------------------------------------------------|---|---|
| *A | w/ Seat Position Memory System | - | - |
|  | Tightening torque for "Major areas involving basic vehicle performance such as moving/turning/stopping": N*m (kgf*cm, ft.*lbf) | - | - |

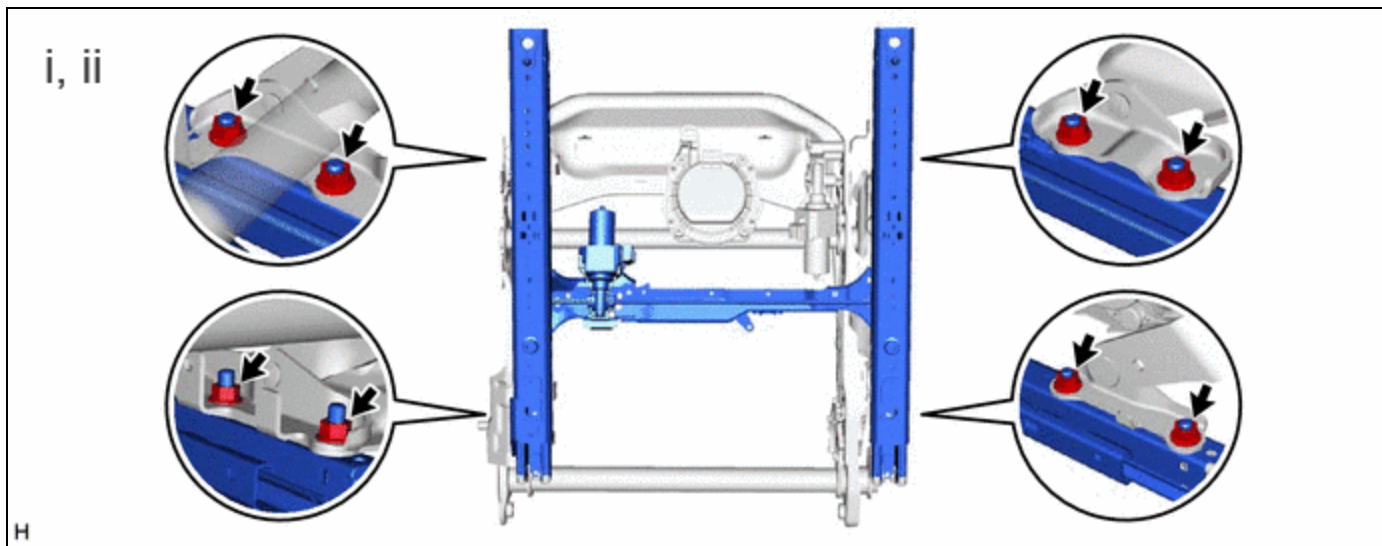


| PROCEDURE | | PART NAME CODE |  |  |  |
|-----------|--------------------------------------------|----------------|--------------------------------------------------------------------------------------|--------------------------------------------------------------------------------------|--------------------------------------------------------------------------------------|
| 15 | CONNECT SEPARATE TYPE FRONT SEATBACK COVER | 71074S | - | - | - |
| 16 | FRONT SEAT ASSEMBLY | - | - | - | - |

PROCEDURE

1. INSTALL UPPER SEAT TRACK RAIL SUB-ASSEMBLY

| | |
|-------------------------------------------------------------------------------------|---------------------------------------------------------------------------------------------------------------------------------------------------------|
|  | <p>CAUTION:</p> <p>Make sure to read the warnings printed on the box of the upper seat track rail sub-assembly before performing operations.</p> |
|-------------------------------------------------------------------------------------|---------------------------------------------------------------------------------------------------------------------------------------------------------|



(1) Insert the stud bolts of a new upper seat track rail sub-assembly to the installation holes.

(2) Install the 8 nuts.

Torque:

25 N·m {255 kgf·cm, 18 ft·lbf}

2. INSTALL FRONT SEAT LOWER CUSHION SHIELD LH

3. INSTALL FRONT SEAT CUSHION WIRE HARNESS HOLDER

4. INSTALL FRONT SEAT LOWER CUSHION SHIELD (for RH Side)

5. INSTALL FRONT SEAT LOWER CUSHION SHIELD (for LH Side)

6. INSTALL LH SEAT RECLINING ADJUSTER INSIDE COVER (for RH Side)

7. INSTALL LH SEAT RECLINING ADJUSTER INSIDE COVER (for LH Side)

8. INSTALL FRONT SEAT WIRE

9. INSTALL SEPARATE TYPE FRONT SEAT CUSHION COVER WITH PAD

10. INSTALL SEPARATE TYPE FRONT SEATBACK ASSEMBLY

Click here [INFO](#)

11. INSTALL FRONT SEAT INNER CUSHION SHIELD

12. INSTALL FRONT SEAT CUSHION SHIELD

13. INSTALL FRONT SEAT FRONT CUSHION SHIELD

14. INSTALL POSITION CONTROL ECU ASSEMBLY (w/ Seat Position Memory System)

15. CONNECT SEPARATE TYPE FRONT SEATBACK COVER

16. INSTALL FRONT SEAT ASSEMBLY

Click here [INFO](#)

