

Last Modified: 12-04-2024	6.11:8.1.0	Doc ID: RM100000002BJB6
Model Year Start: 2023	Model: Prius Prime	Prod Date Range: [03/2023 -]
Title: SEAT: POWER SEAT SWITCH: REMOVAL; 2023 - 2024 MY Prius Prius Prime [03/2023 -]		

REMOVAL

CAUTION / NOTICE / HINT

The necessary procedures (adjustment, calibration, initialization, or registration) that must be performed after parts are removed and installed, or replaced during front power seat switch assembly removal/installation are shown below.

CAUTION:

Wear protective gloves. Sharp areas on the parts may injure your hands.



CAUTION / NOTICE / HINT

HINT:

When the cable is disconnected / reconnected to the auxiliary battery terminal, systems temporarily stop operating. However, each system has a function that completes learning the first time the system is used.

- **Learning completes when vehicle is driven**

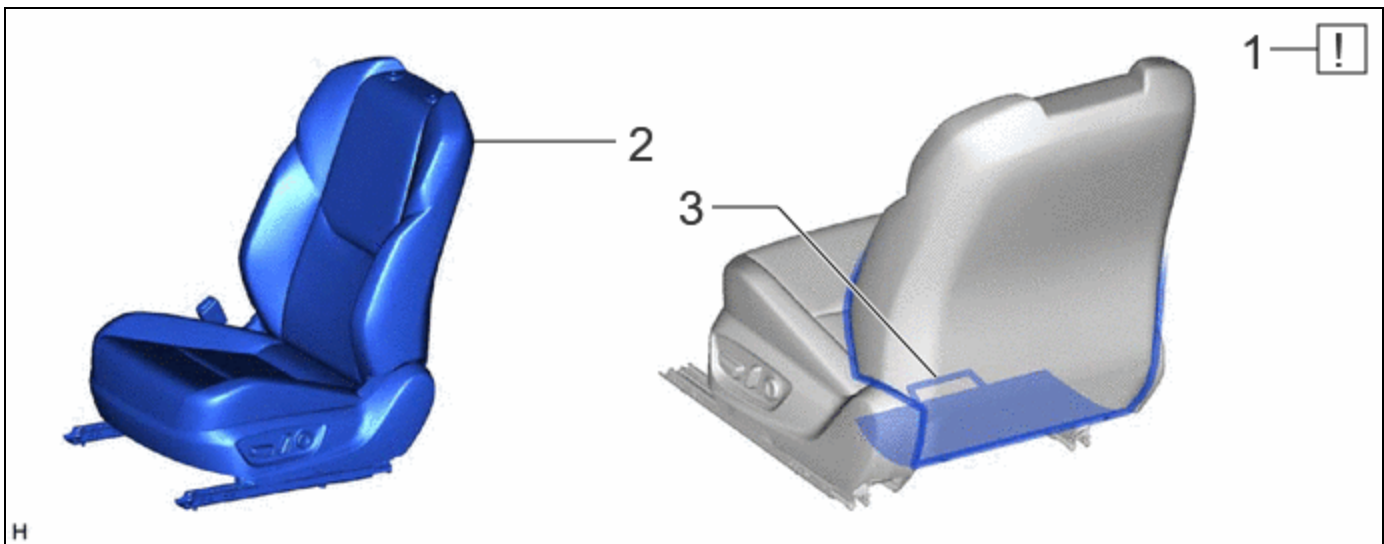
EFFECT/INOPERATIVE FUNCTION WHEN NECESSARY PROCEDURE NOT PERFORMED	NECESSARY PROCEDURE	LINK
Front Camera System	Drive the vehicle straight ahead at 35 km/h (22 mph) or more for 5 seconds or more.	INFO

- **Learning completes when vehicle is operated normally**

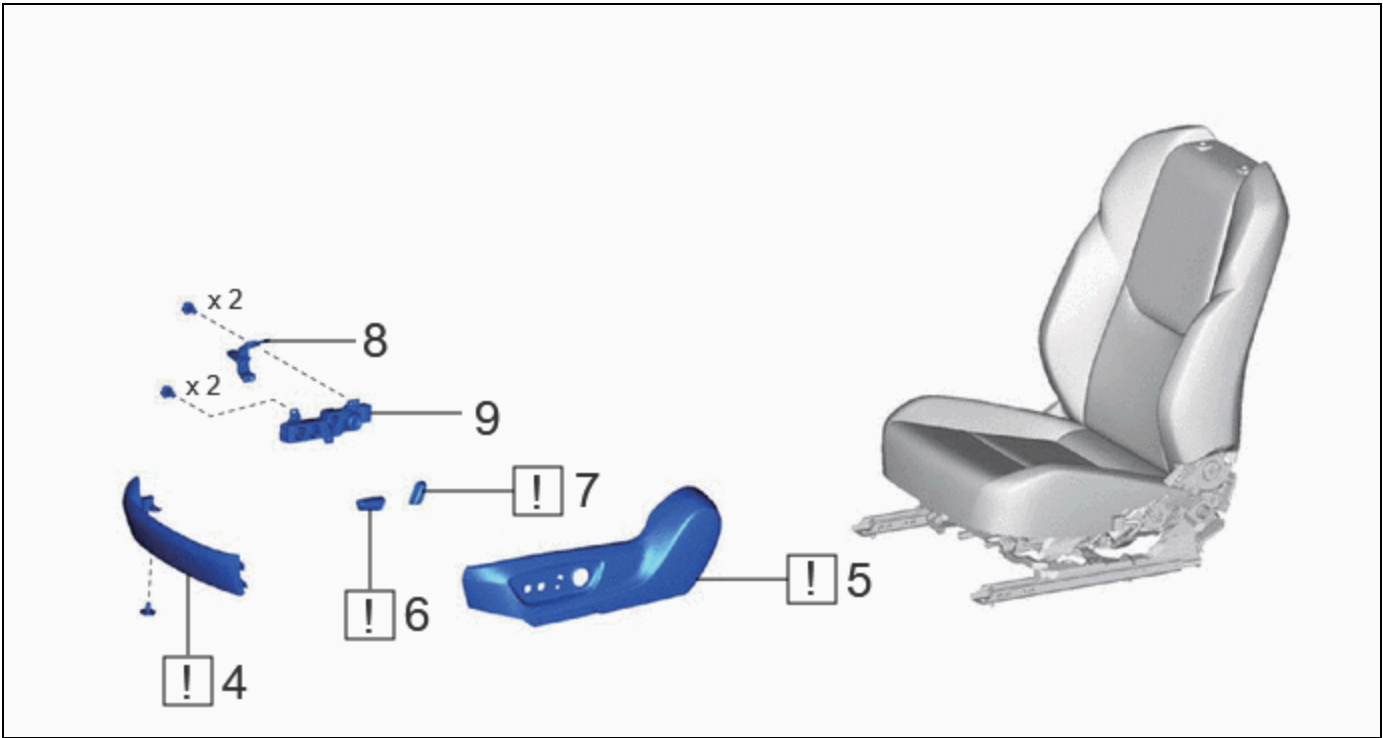
EFFECT/INOPERATIVE FUNCTION WHEN NECESSARY PROCEDURE NOT PERFORMED	NECESSARY PROCEDURE	LINK
Power Door Lock Control System*1 ◦ Back door opener	Perform door unlock operation with door control switch or electrical key transmitter sub-assembly switch.	INFO
Power Back Door System*2	Reset back door close position	INFO
Air Conditioning System	for HEV Model: After the ignition switch is turned to ON, the servo motor standard position is recognized. for PHEV Model: After the ignition switch is turned to ON, the servo motor and expansion valve standard position is recognized.	-
*1: w/o Power Back Door System *2: w/ Power Back Door System		

CAUTION / NOTICE / HINT

COMPONENTS (REMOVAL)



	PROCEDURE	PART NAME CODE			
1	PRECAUTION	-	INFO	-	-
2	FRONT SEAT ASSEMBLY	-	-	-	-
3	DISCONNECT SEPARATE TYPE FRONT SEATBACK COVER	71074S	-	-	-



PROCEDURE		PART NAME CODE			
4	FRONT SEAT FRONT CUSHION SHIELD	71868N	INFO	-	-
5	FRONT SEAT CUSHION SHIELD	71812D	INFO	-	-
6	SLIDE AND VERTICAL POWER SEAT SWITCH KNOB	-	INFO	-	-
7	RECLINING POWER SEAT SWITCH KNOB	-	INFO	-	-
8	SEAT ADJUSTER SHIELD CLAMP BRACKET	72714	-	-	-
9	FRONT POWER SEAT SWITCH	84922C	-	-	-

PROCEDURE

1. PRECAUTION

	<p>NOTICE:</p> <p>After the ignition switch is turned off, there may be a waiting time before disconnecting the negative (-) auxiliary battery terminal.</p> <p>Click here INFO</p>
--	--

2. REMOVE FRONT SEAT ASSEMBLY

Click here [INFO](#)


3. DISCONNECT SEPARATE TYPE FRONT SEATBACK COVER

Click here [INFO](#)

4. REMOVE FRONT SEAT FRONT CUSHION SHIELD

	Click here INFO
---	---------------------------------


5. REMOVE FRONT SEAT CUSHION SHIELD

	Click here INFO
---	---------------------------------

6. REMOVE SLIDE AND VERTICAL POWER SEAT SWITCH KNOB

	Click here INFO
---	---------------------------------

7. REMOVE RECLINING POWER SEAT SWITCH KNOB

	Click here INFO
--	---------------------------------

8. REMOVE SEAT ADJUSTER SHIELD CLAMP BRACKET

Click here [INFO](#)

9. REMOVE FRONT POWER SEAT SWITCH

