

Last Modified: 12-04-2024	6.11:8.1.0	Doc ID: RM100000029TP3
Model Year Start: 2023	Model: Prius Prime	Prod Date Range: [12/2022 -]
Title: SEAT: FRONT SEAT CUSHION HEATER (for Manual Seat): INSTALLATION; 2023 - 2024 MY Prius Prius Prime [12/2022 -]		

INSTALLATION

CAUTION / NOTICE / HINT

CAUTION:

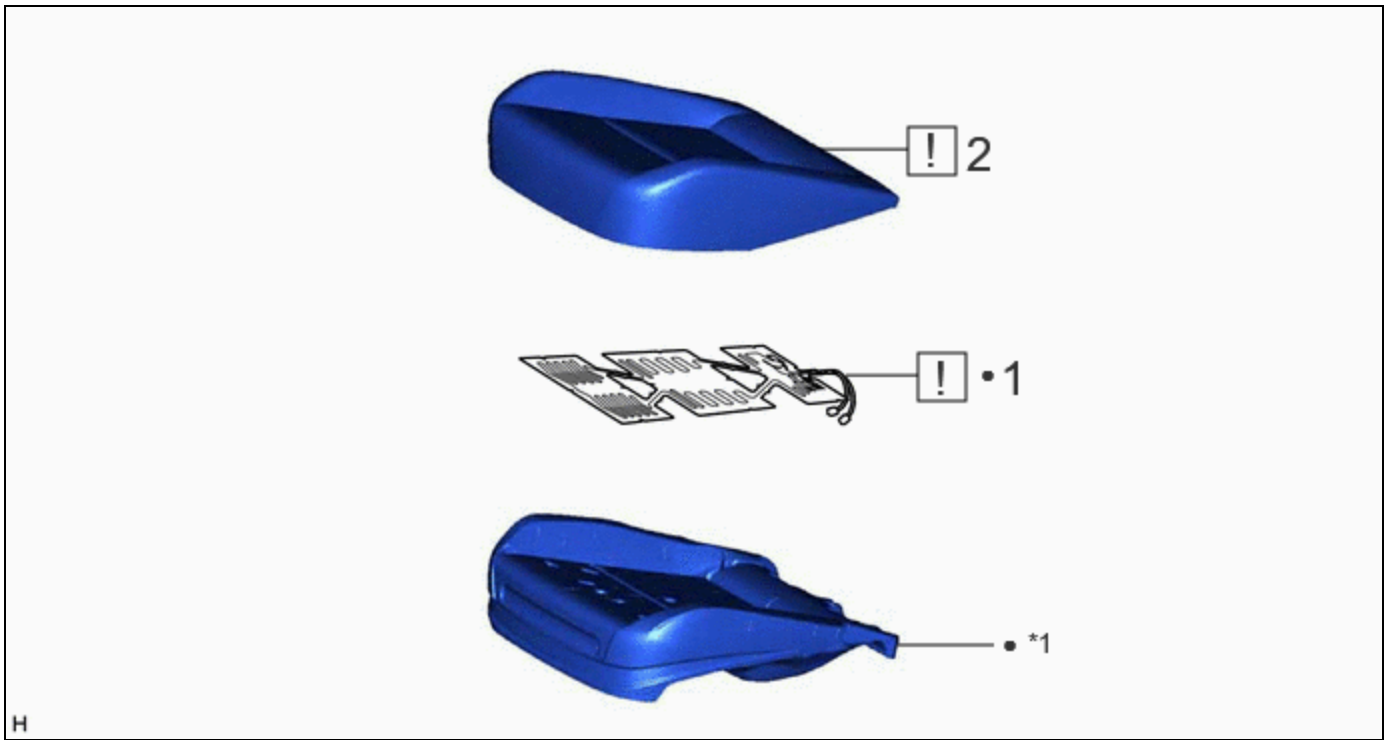
Wear protective gloves. Sharp areas on the parts may injure your hands.

**HINT:**

- Use the same procedure for the RH side and LH side.
- The following procedure is for the LH side.

CAUTION / NOTICE / HINT

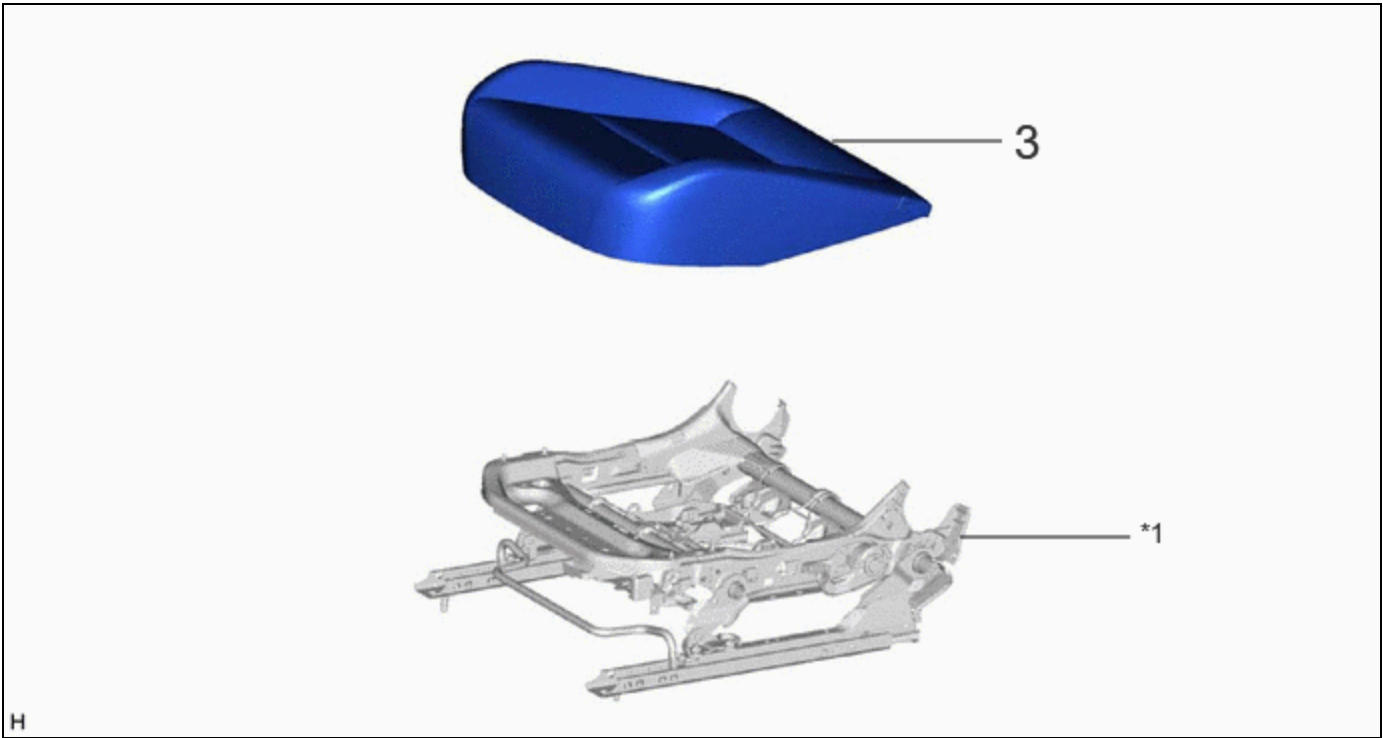
COMPONENTS (INSTALLATION)






H

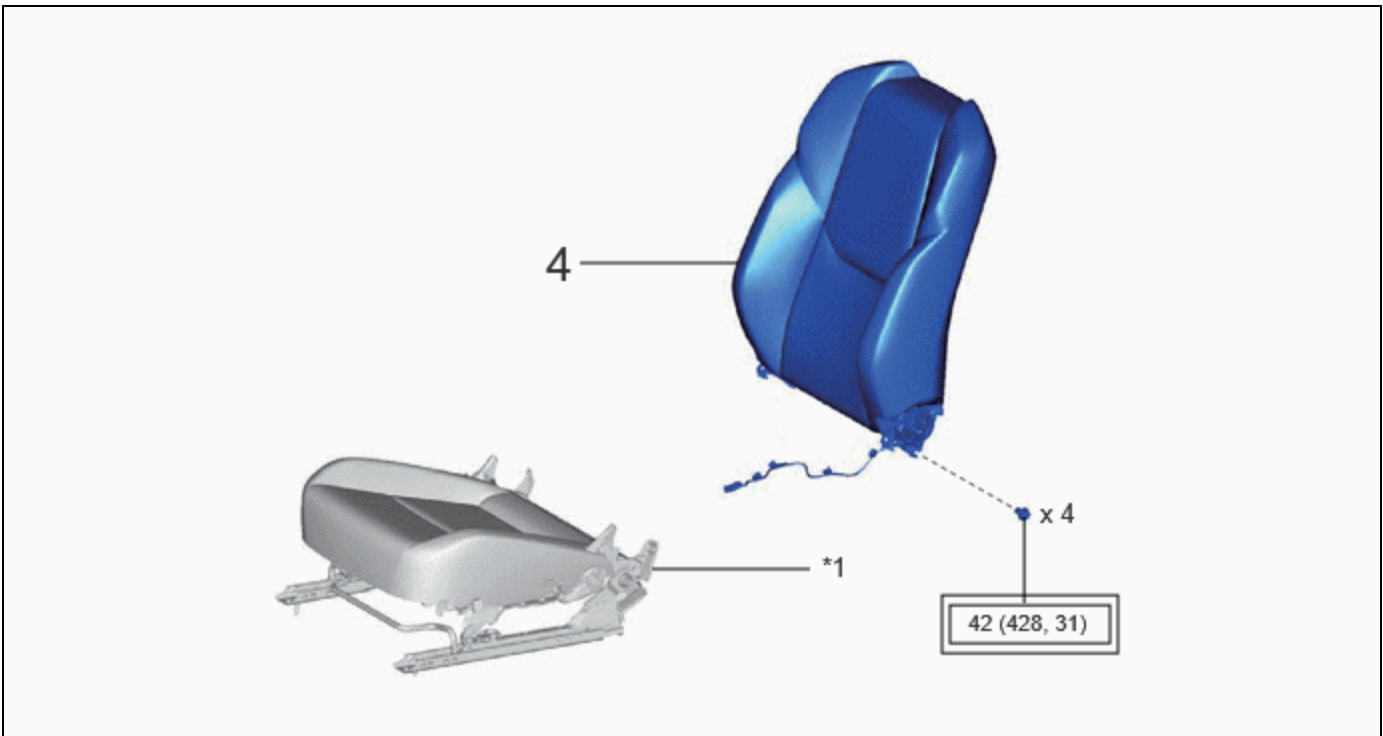
	PROCEDURE	PART NAME CODE			
1	FRONT SEAT CUSHION HEATER ASSEMBLY	87510L	INFO	-	-
2	SEPARATE TYPE FRONT SEAT CUSHION COVER	71072S	INFO	-	-




*1	SEPARATE TYPE FRONT SEAT CUSHION PAD	-	-
•	Non-reusable part	-	-




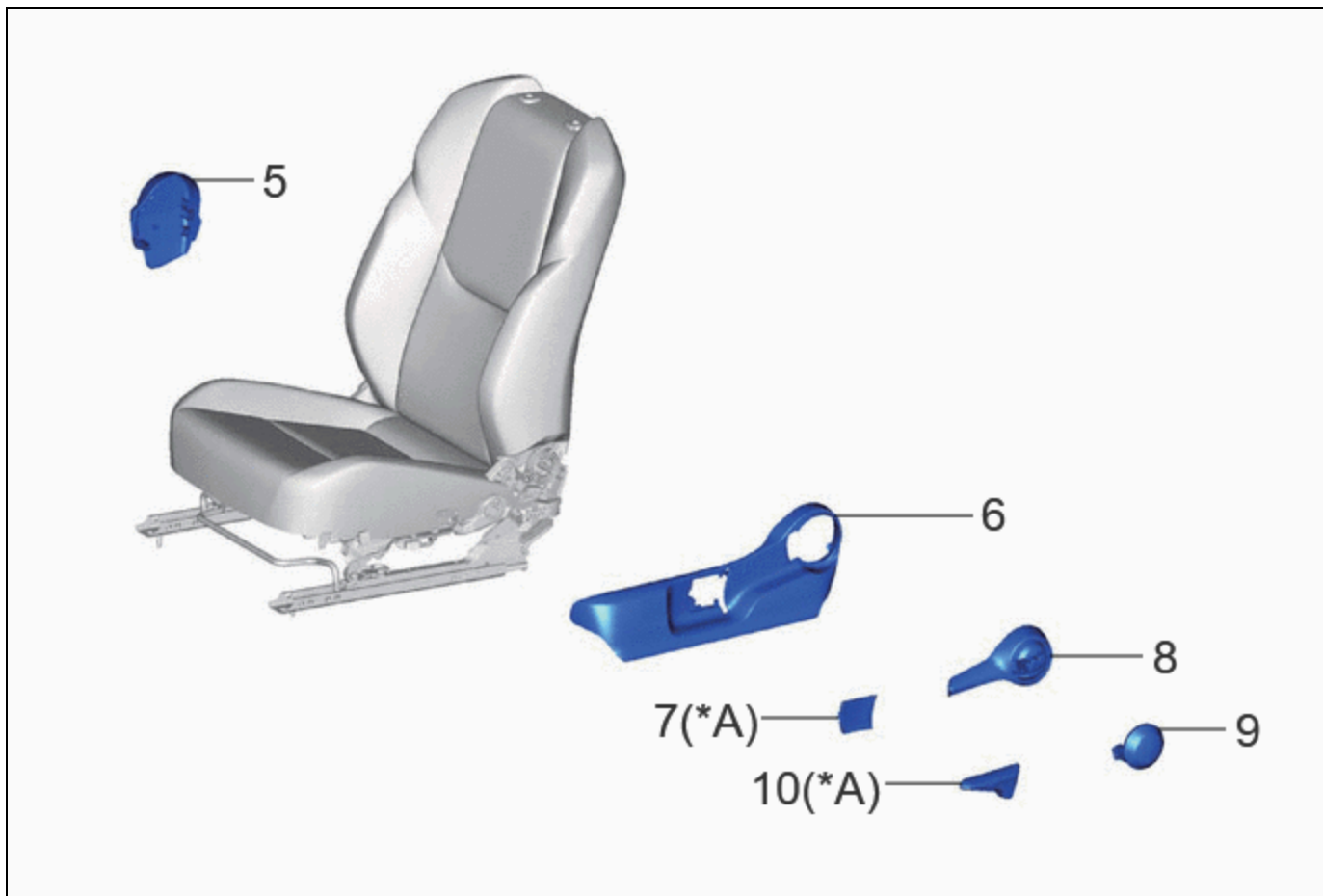
PROCEDURE	PART NAME CODE			
3 SEPARATE TYPE FRONT SEAT CUSHION COVER WITH PAD	-	-	-	-




*1 SEPARATE TYPE FRONT SEAT CUSHION SPRING ASSEMBLY	-	-
---	---	---



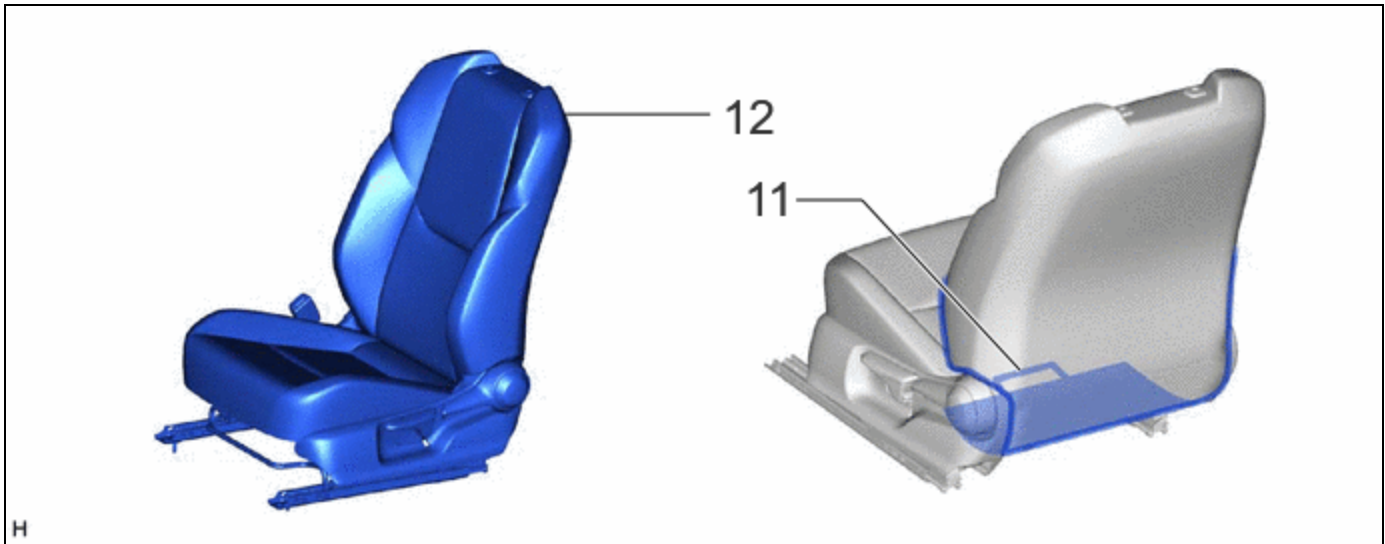
PROCEDURE		PART NAME CODE			
4	SEPARATE TYPE FRONT SEATBACK ASSEMBLY	-	-	-	-

*1	SEPARATE TYPE FRONT SEAT CUSHION ASSEMBLY	-	-
	Tightening torque for "Major areas involving basic vehicle performance such as moving/turning/stopping": N*m (kgf*cm, ft.*lbf)	-	-



PROCEDURE		PART NAME CODE			
5	FRONT SEAT INNER CUSHION SHIELD	71862	-	-	-
6	FRONT SEAT CUSHION SHIELD	71812D	-	-	-
7	SEAT ADJUSTER COVER CAP	71848A	-	-	-
8	RECLINING ADJUSTER RELEASE HANDLE	72526A	-	-	-
9	RECLINING HINGE COVER	72552B	-	-	-
10	VERTICAL ADJUSTING HANDLE	72495	-	-	-

*A	w/ Vertical Adjuster	-	-
----	----------------------	---	---

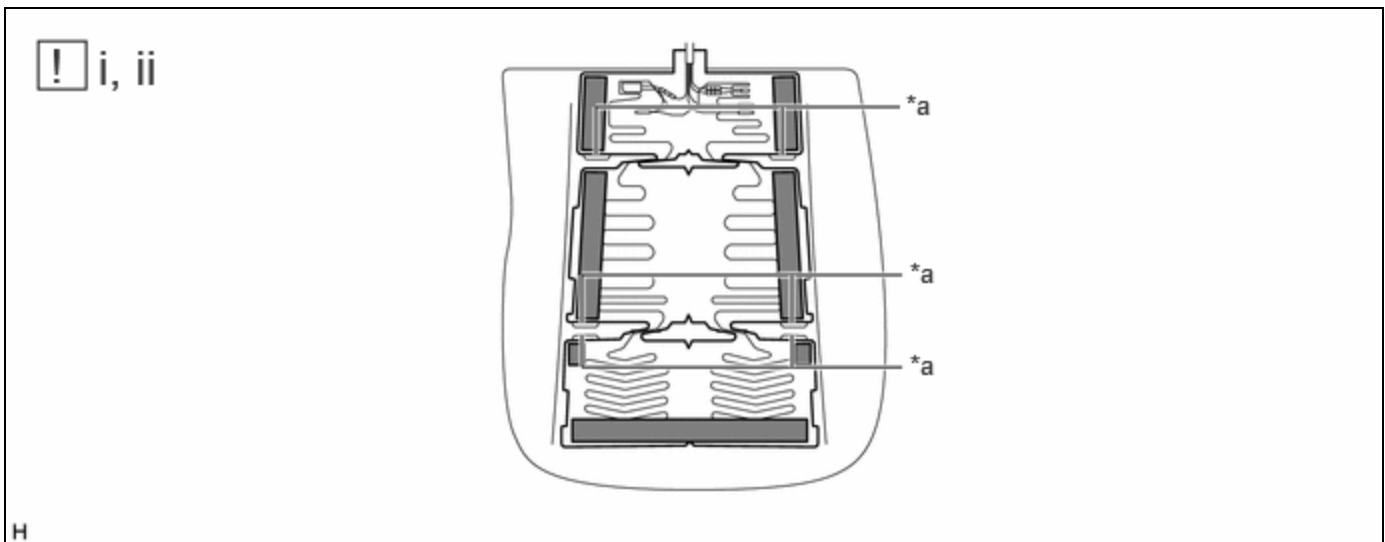


PROCEDURE		PART NAME CODE			
11	CONNECT SEPARATE TYPE FRONT SEATBACK COVER	71074S	-	-	-
12	FRONT SEAT ASSEMBLY	-	-	-	-


PROCEDURE

1. INSTALL FRONT SEAT CUSHION HEATER ASSEMBLY

	<p>NOTICE:</p> <p>Replace the front seat cushion heater assembly and separate type front seat cushion pad as a set.</p>
--	--



*a	Cutout	-	-
----	--------	---	---


	Double-sided Tape	-	-
---	-------------------	---	---

- (1) Remove the release paper from a new front seat cushion heater assembly.
- (2) Install the new front seat cushion heater assembly while aligning with the cutouts as shown in the illustration.

NOTICE:

Press the front seat cushion heater assembly firmly to install it.

2. INSTALL SEPARATE TYPE FRONT SEAT CUSHION COVER

	Click here INFO
---	---------------------------------

3. INSTALL SEPARATE TYPE FRONT SEAT CUSHION COVER WITH PAD

4. INSTALL SEPARATE TYPE FRONT SEATBACK ASSEMBLY

Click here [INFO](#)

5. INSTALL FRONT SEAT INNER CUSHION SHIELD

6. INSTALL FRONT SEAT CUSHION SHIELD

7. INSTALL SEAT ADJUSTER COVER CAP (w/ Vertical Adjuster)

8. INSTALL RECLINING ADJUSTER RELEASE HANDLE

9. INSTALL RECLINING HINGE COVER

10. INSTALL VERTICAL ADJUSTING HANDLE (w/ Vertical Adjuster)

11. CONNECT SEPARATE TYPE FRONT SEATBACK COVER

12. INSTALL FRONT SEAT ASSEMBLY

Click here [INFO](#)

