

<b>Last Modified:</b> 12-04-2024	6.11:8.1.0	<b>Doc ID:</b> RM1000000029TOE
<b>Model Year Start:</b> 2023	<b>Model:</b> Prius Prime	<b>Prod Date Range:</b> [12/2022 - ]
<b>Title:</b> SEAT: FRONT SEAT ASSEMBLY (for Power Seat): DISASSEMBLY; 2023 - 2024 MY Prius Prius Prime [12/2022 - ]		

## DISASSEMBLY

### CAUTION / NOTICE / HINT

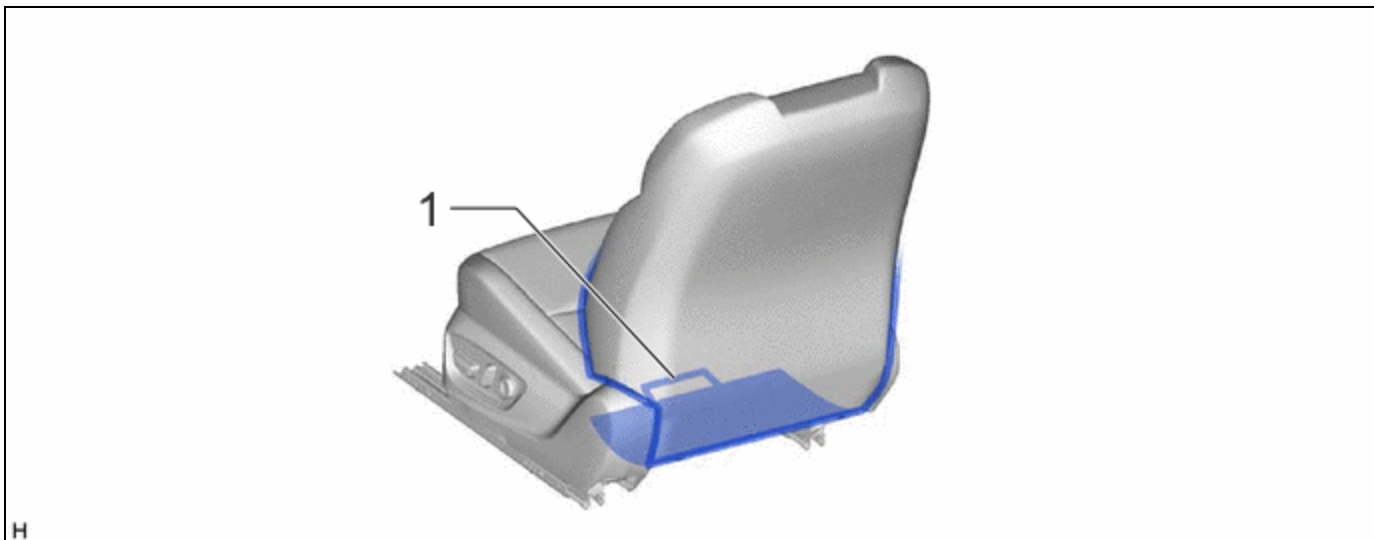
**CAUTION:**




Wear protective gloves. Sharp areas on the parts may injure your hands.

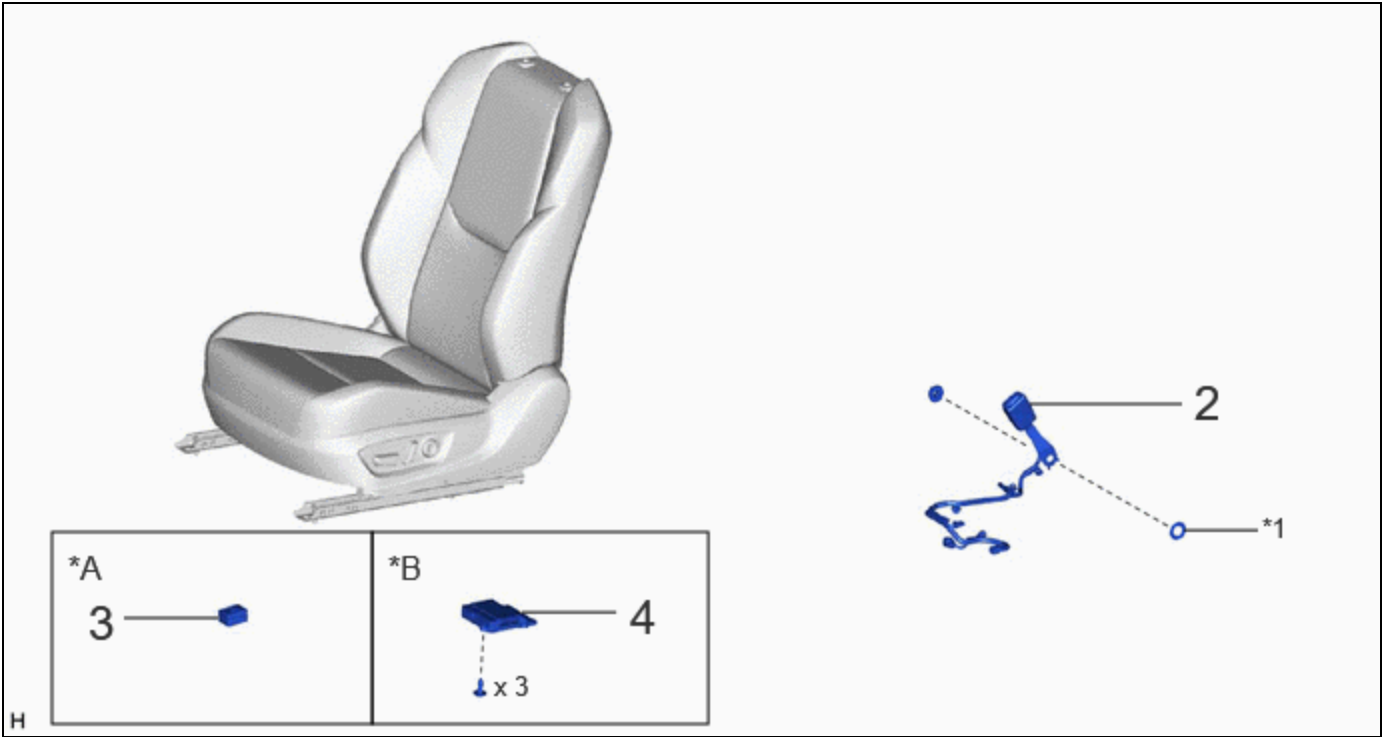





### CAUTION / NOTICE / HINT

#### COMPONENTS (DISASSEMBLY)

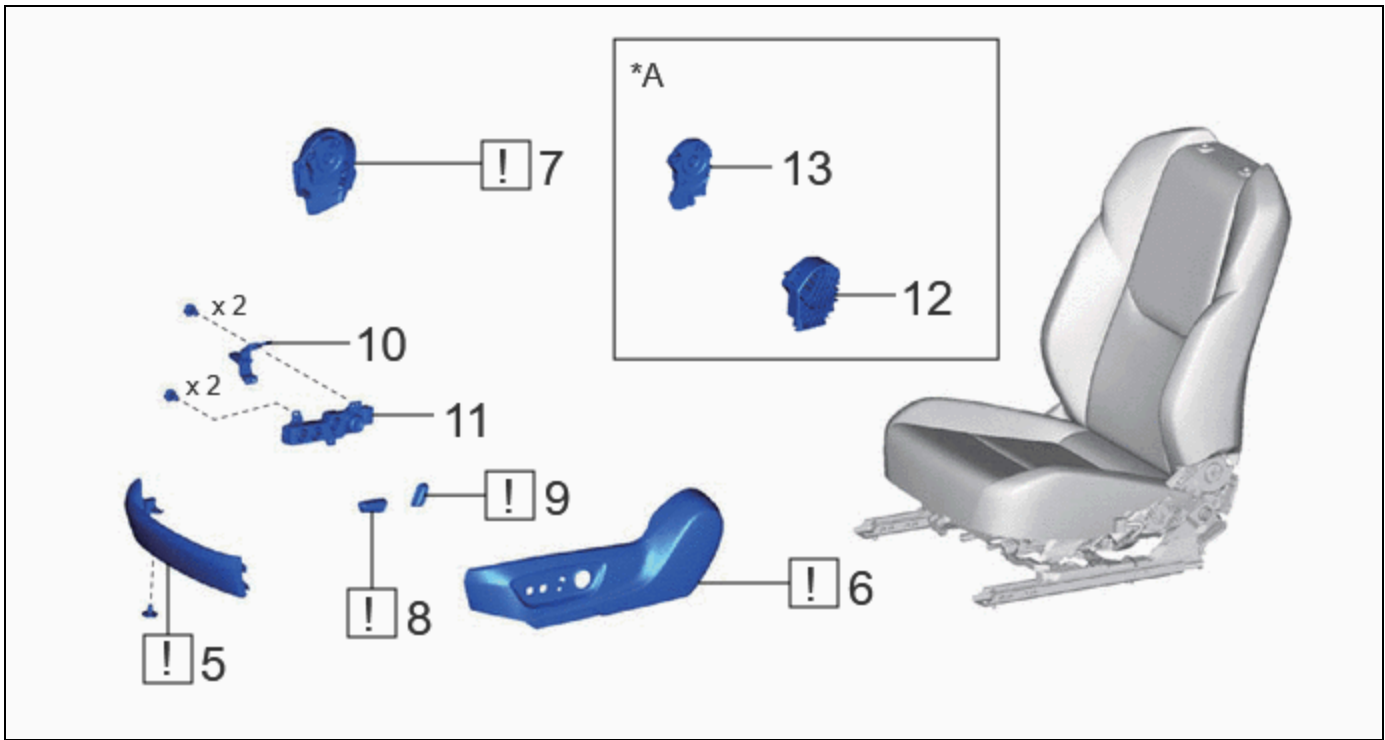


PROCEDURE		PART NAME CODE			
1	DISCONNECT SEPARATE TYPE FRONT SEATBACK COVER	71074S	-	-	-



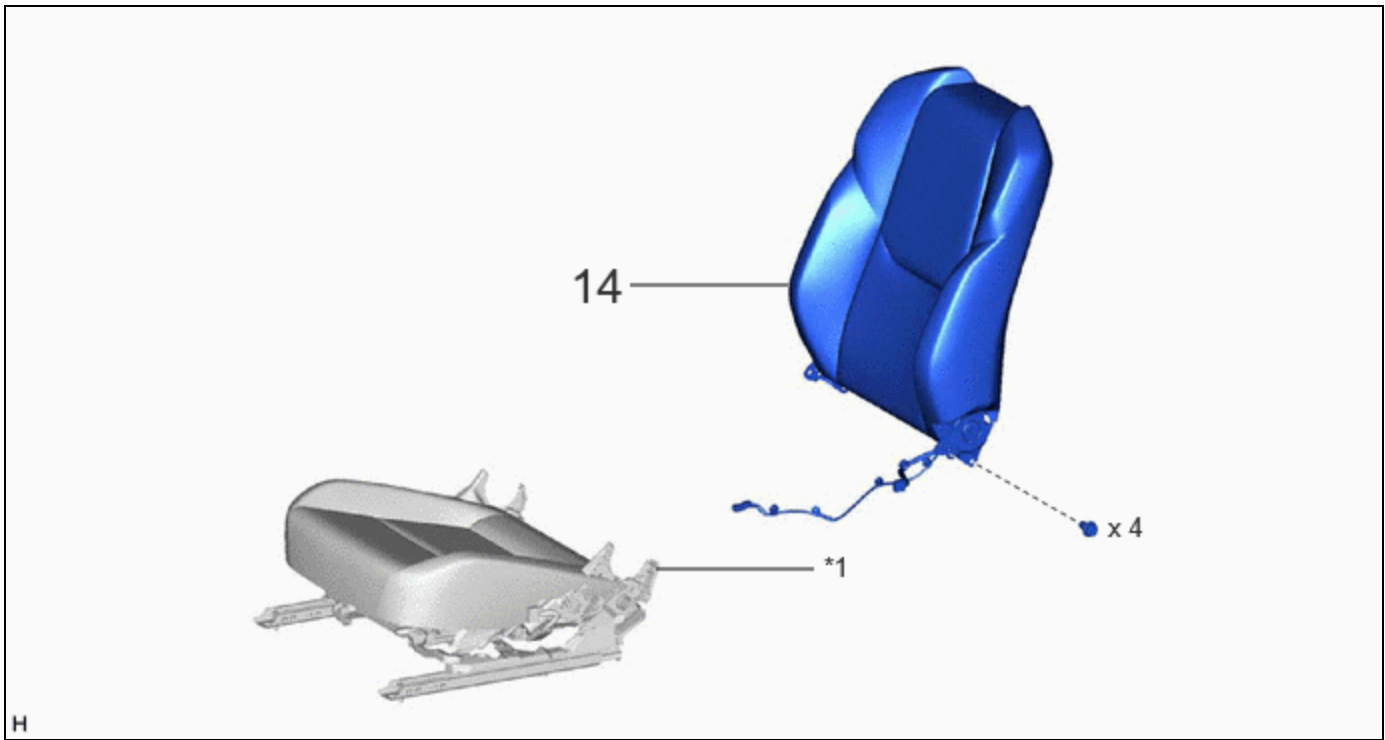
PROCEDURE		PART NAME CODE			
2	FRONT SEAT INNER BELT ASSEMBLY	73240	-	-	-
3	SEAT HEATER CONTROL SUB-ASSEMBLY	87501B	-	-	-
4	POSITION CONTROL ECU ASSEMBLY	89710D	-	-	-

*A	w/ Seat Heater System	*B	w/ Seat Position Memory System
*1	FRONT SEAT BELT ANCHOR PLATE	-	-



PROCEDURE		PART NAME CODE			
5	FRONT SEAT FRONT CUSHION SHIELD	71868N	<a href="#">INFO</a>	-	-
6	FRONT SEAT CUSHION SHIELD	71812D	<a href="#">INFO</a>	-	-
7	FRONT SEAT INNER CUSHION SHIELD	71862	<a href="#">INFO</a>	-	-
8	SLIDE AND VERTICAL POWER SEAT SWITCH KNOB	-	<a href="#">INFO</a>	-	-
9	RECLINING POWER SEAT SWITCH KNOB	-	<a href="#">INFO</a>	-	-
10	SEAT ADJUSTER SHIELD CLAMP BRACKET	72714	-	-	-
11	FRONT POWER SEAT SWITCH	84922C	-	-	-
12	NO. 3 LOWER SEAT TRACK SPACER	72136B	-	-	-
13	NO. 4 LOWER SEAT TRACK SPACER	72136C	-	-	-

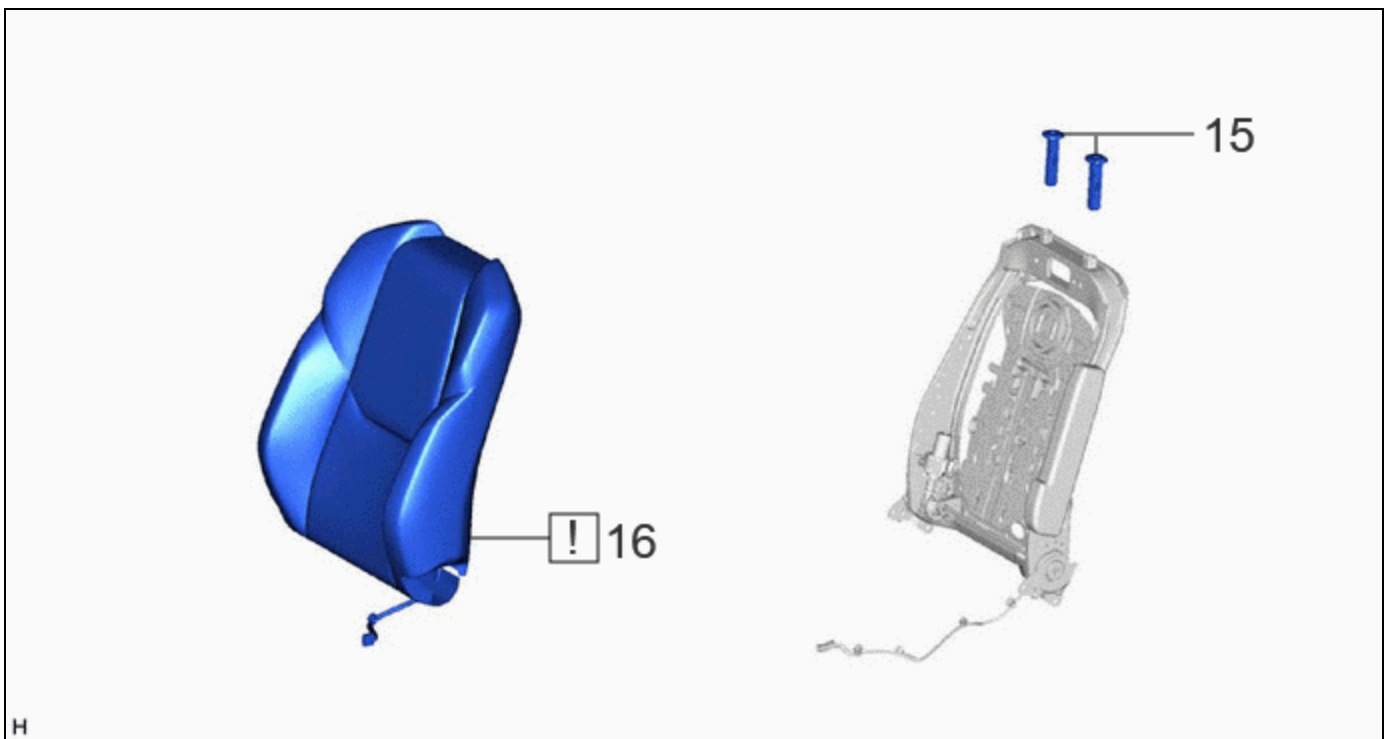
*A	w/ Occupant Classification System	-	-
----	-----------------------------------	---	---






H

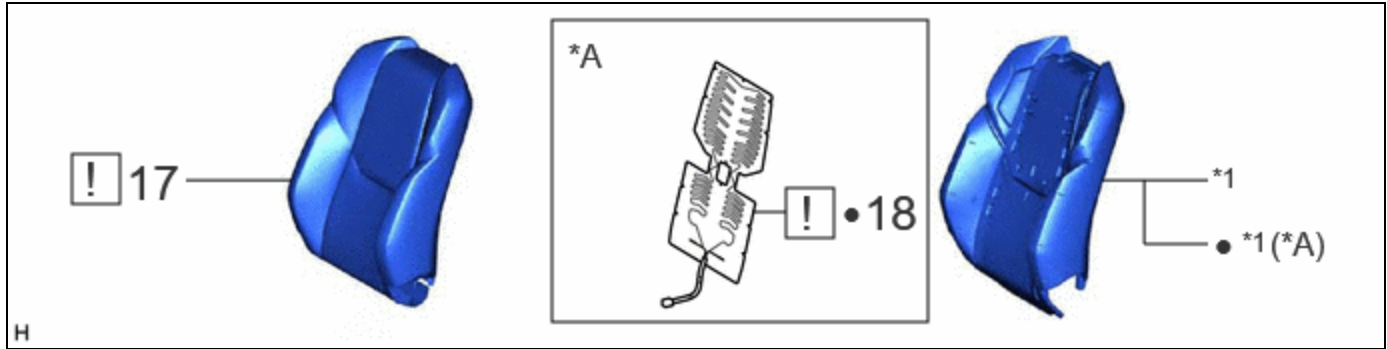
PROCEDURE		PART NAME CODE			
14	SEPARATE TYPE FRONT SEATBACK ASSEMBLY	-	-	-	-




*1	SEPARATE TYPE FRONT SEAT CUSHION ASSEMBLY	-	-
----	---	---	---



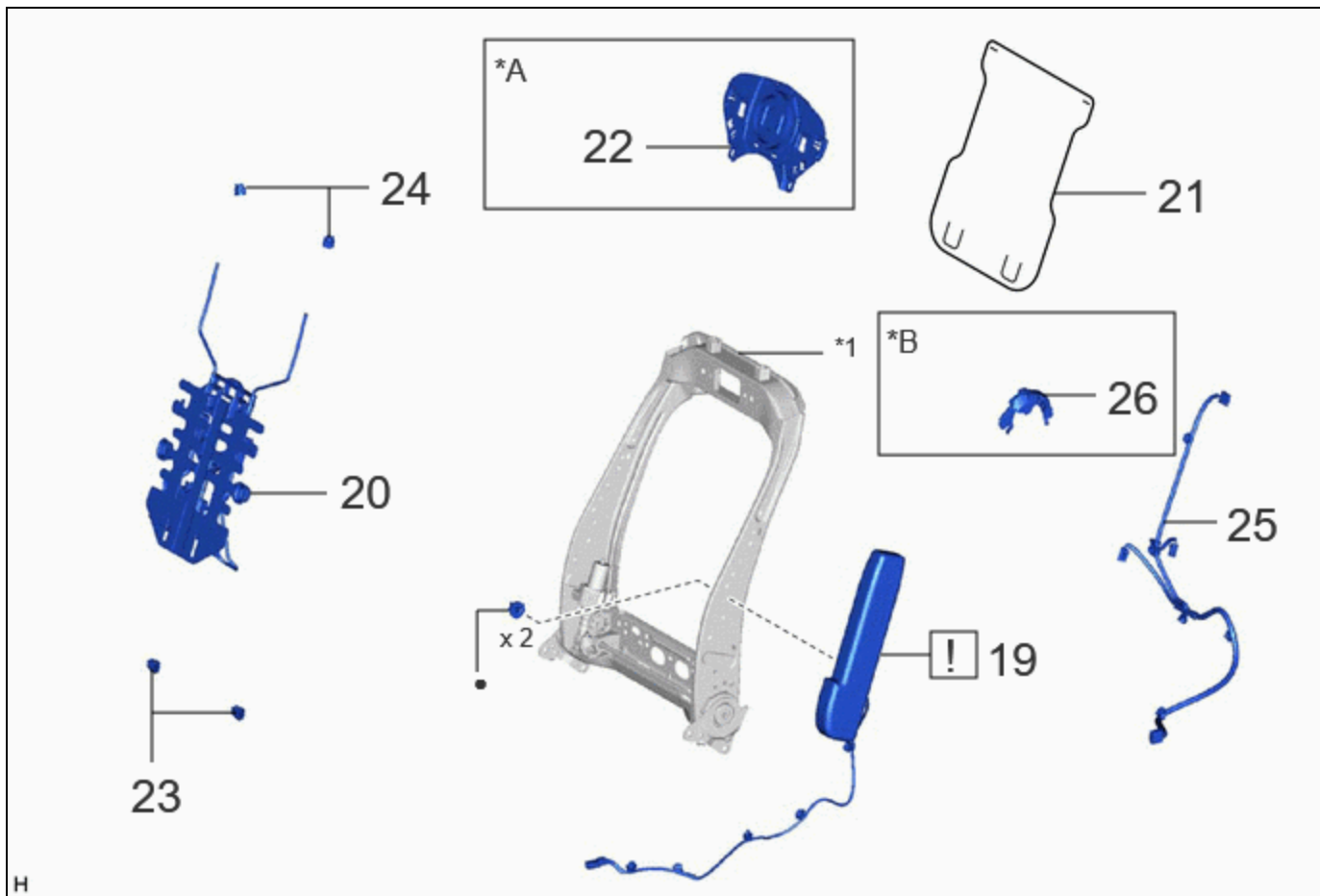
H

PROCEDURE		PART NAME CODE			
15	FRONT SEAT HEADREST SUPPORT	71931	-	-	-
16	SEPARATE TYPE FRONT SEATBACK COVER WITH PAD	-	<b>INFO</b>	-	-



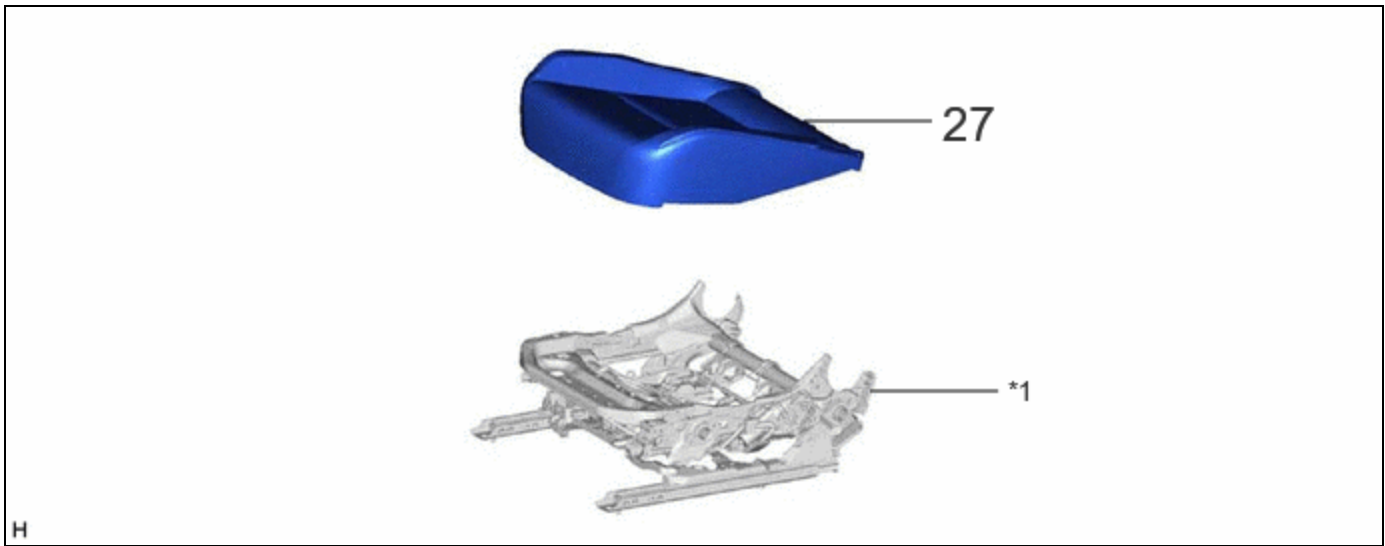
PROCEDURE		PART NAME CODE			
17	SEPARATE TYPE FRONT SEATBACK COVER	71074S	<b>INFO</b>	-	-
18	FRONT SEATBACK HEATER ASSEMBLY	87510N	<b>INFO</b>	-	-

*A	w/ Seat Heater System	-	-
*1	SEPARATE TYPE FRONT SEATBACK PAD	-	-
•	Non-reusable part	-	-






PROCEDURE		PART NAME CODE			
19	FRONT SEAT AIRBAG ASSEMBLY	73920A	<b>INFO</b>	-	-
20	LUMBAR SUPPORT ADJUSTER ASSEMBLY	72760D	-	-	-
21	FRONT SEATBACK FELT	79977H	-	-	-
22	SEATBACK CLIMATE CONTROL BLOWER	85867A	-	-	-
23	FRONT NO. 2 SEATBACK EDGE PROTECTOR	71588	-	-	-
24	FRONT NO. 2 SEATBACK HOOK	71759D	-	-	-
25	FRONT SEAT NO. 2 WIRE	8219B	-	-	-
26	NO. 2 RECLINING COVER PROTECTOR	72554M	-	-	-

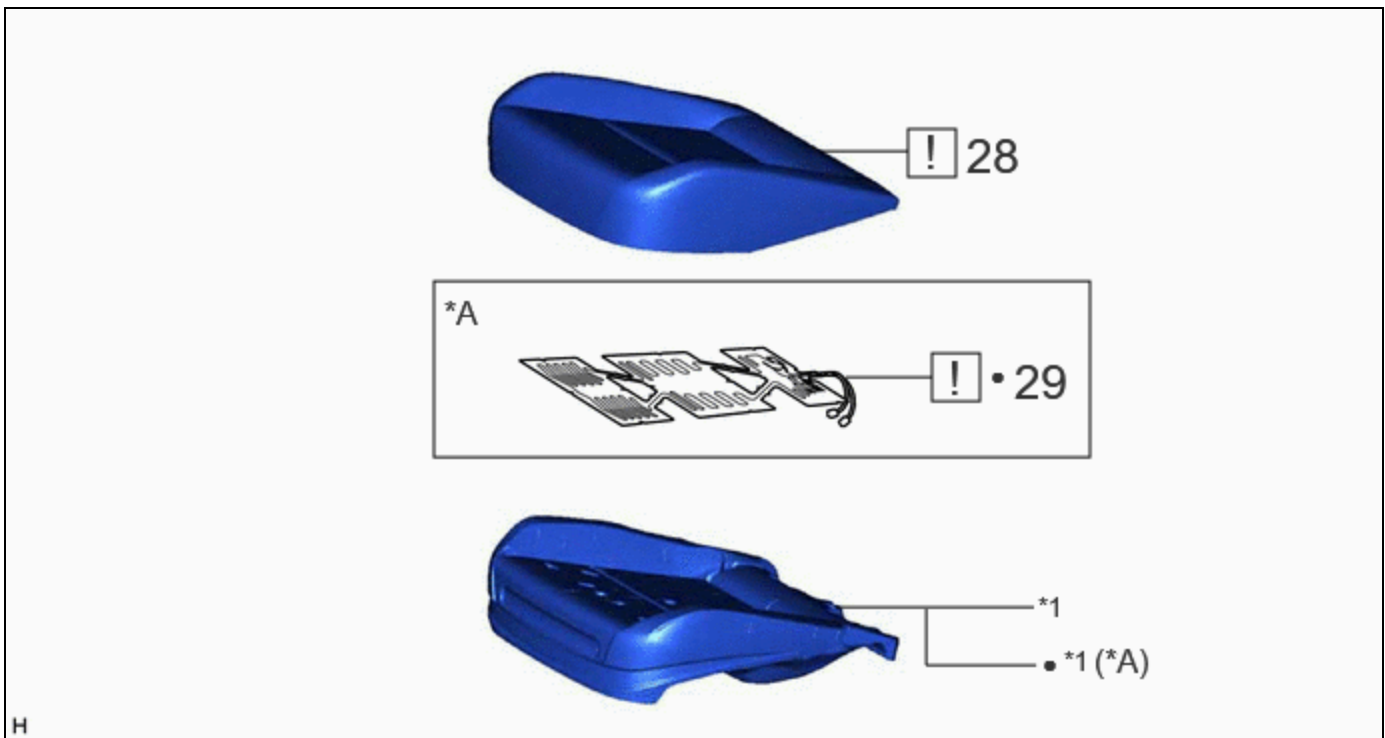
*A	w/ Climate Control Seat System	*B	w/ Occupant Classification System
*1	FRONT SEATBACK FRAME SUB-ASSEMBLY	-	-
•	Non-reusable part	-	-






H

PROCEDURE		PART NAME CODE			
27	SEPARATE TYPE FRONT SEAT CUSHION COVER WITH PAD	-	-	-	-

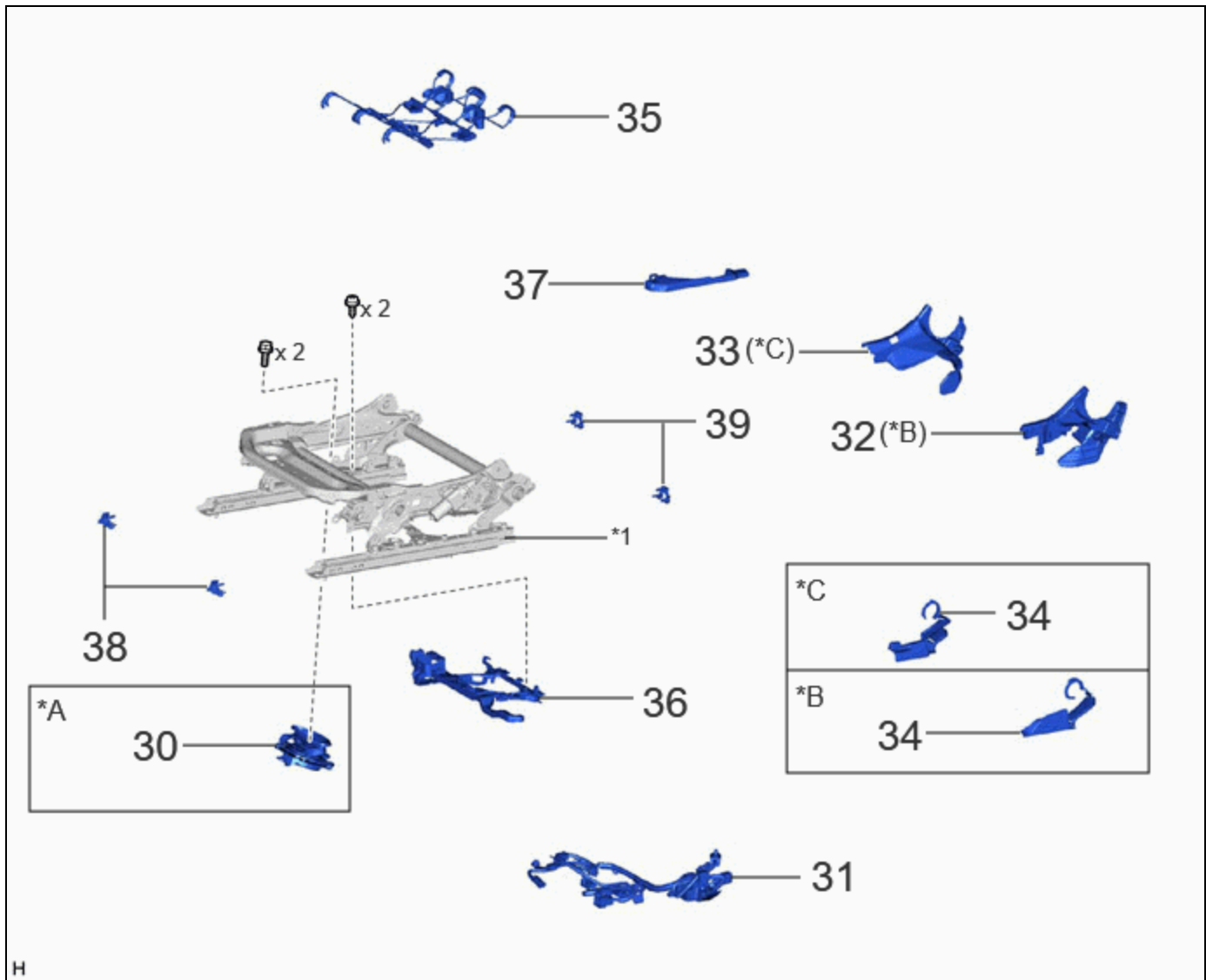
*1	SEPARATE TYPE FRONT SEAT CUSHION SPRING ASSEMBLY	-	-
----	--	---	---






H




PROCEDURE		PART NAME CODE			
28	SEPARATE TYPE FRONT SEAT CUSHION COVER	71072S	INFO	-	-
29	FRONT SEAT CUSHION HEATER ASSEMBLY	87510L	INFO	-	-

*A	w/ Seat Heater System	-	-
*1	SEPARATE TYPE FRONT SEAT CUSHION PAD	-	-
•	Non-reusable part	-	-

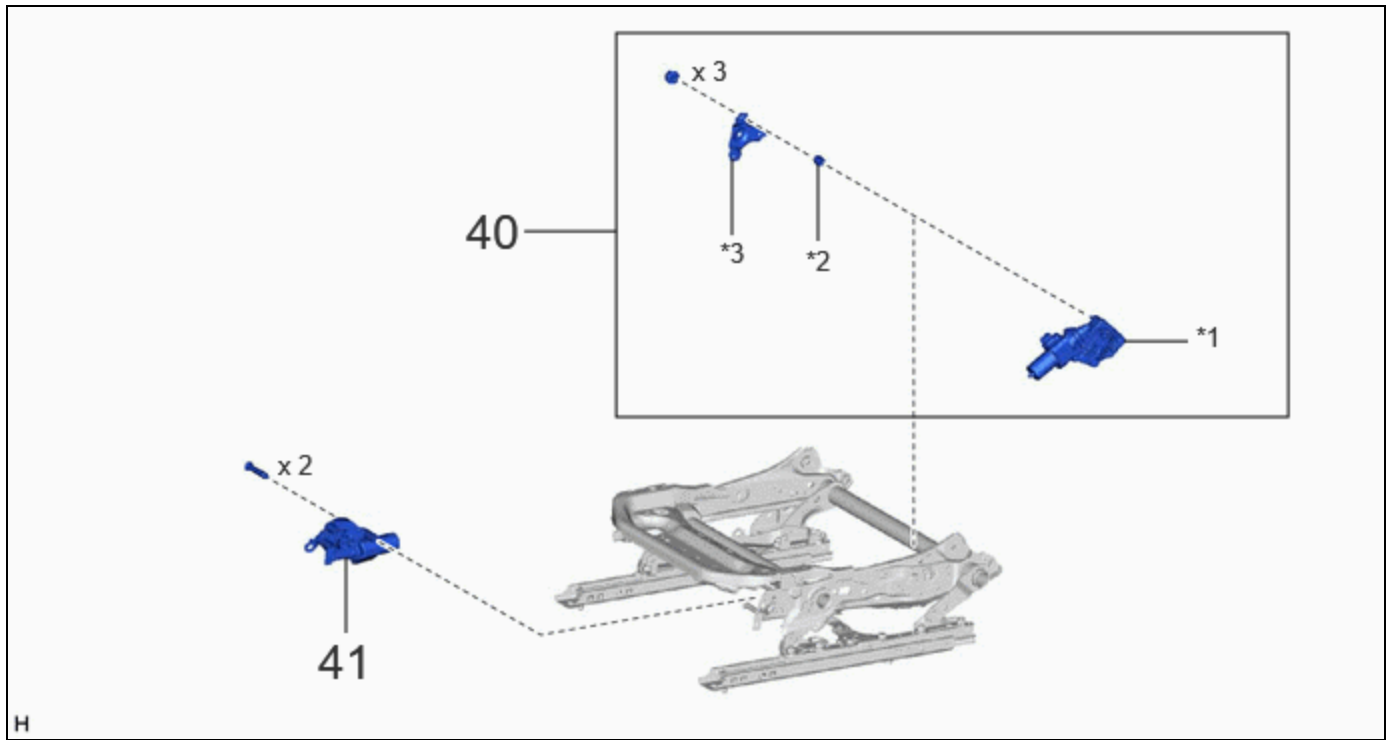





PROCEDURE		PART NAME CODE			
30	SEAT CUSHION CLIMATE CONTROL BLOWER ASSEMBLY	85860A	-	-	-
31	FRONT SEAT WIRE	82192	-	-	-



PROCEDURE		PART NAME CODE			
32	LH SEAT RECLINING ADJUSTER INSIDE COVER	71876G	-	-	-
33	LH SEAT RECLINING ADJUSTER INSIDE COVER	71875G	-	-	-
34	FRONT SEAT LOWER CUSHION SHIELD	71874A	-	-	-
35	FRONT SEAT CUSHION SPRING SUB-ASSEMBLY	71052A	-	-	-
36	FRONT SEAT CUSHION WIRE HARNESS HOLDER	7181B	-	-	-
37	FRONT SEAT LOWER CUSHION SHIELD LH	71874U	-	-	-
38	SEAT TRACK UPPER RAIL COVER	72266	-	-	-
39	UPPER NO. 3 SEAT TRACK COVER	72125M	-	-	-

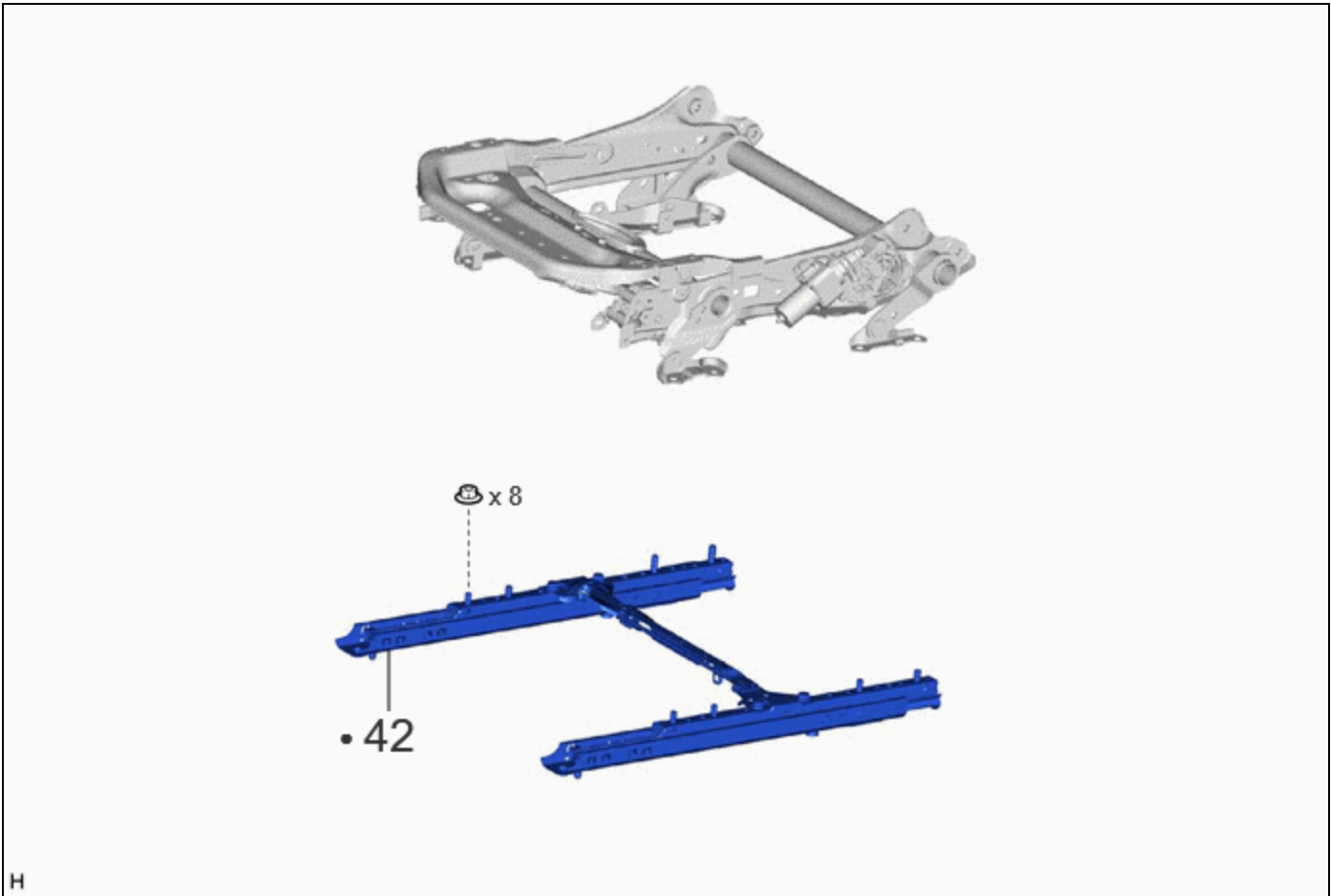
*A	w/ Climate Control Seat System	*B	for LH Side
*C	for RH Side	-	-
*1	FRONT SEAT ADJUSTER ASSEMBLY	-	-



PROCEDURE		PART NAME CODE			
40	POWER SEAT LIFTER MOTOR ASSEMBLY	-	-	-	-
41	POWER SEAT TILT MOTOR ASSEMBLY	-	-	-	-

*1	FRONT SEAT VERTICAL HOUSING SUB-ASSEMBLY	*2	VERTICAL ADJUSTER SPACER
----	--	----	--------------------------

*3	FRONT SEAT ADJUSTER PLATE	-	-
----	---------------------------	---	---

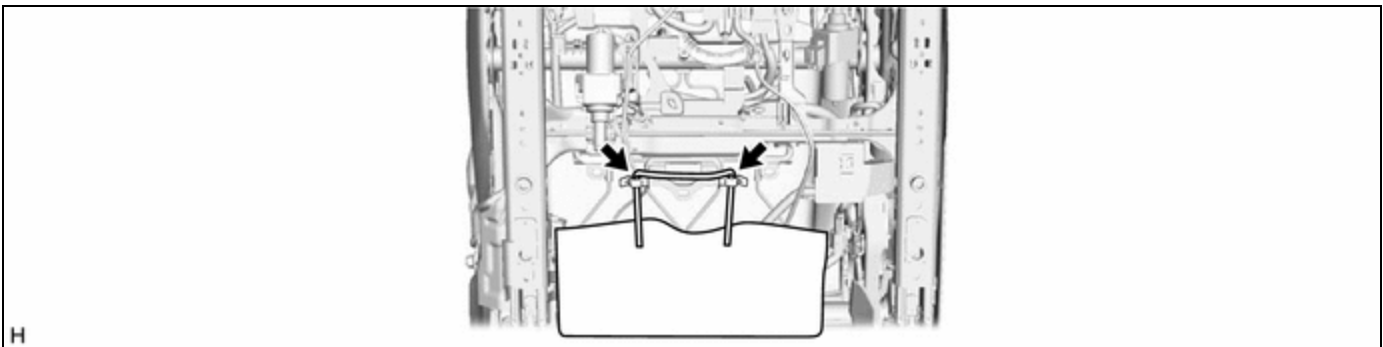


PROCEDURE	PART NAME CODE			
42 UPPER SEAT TRACK RAIL SUB-ASSEMBLY	-	-	-	-

• Non-reusable part	-	-
---------------------	---	---

## PROCEDURE

### 1. DISCONNECT SEPARATE TYPE FRONT SEATBACK COVER



### 2. REMOVE FRONT SEAT INNER BELT ASSEMBLY

Click here [INFO](#)

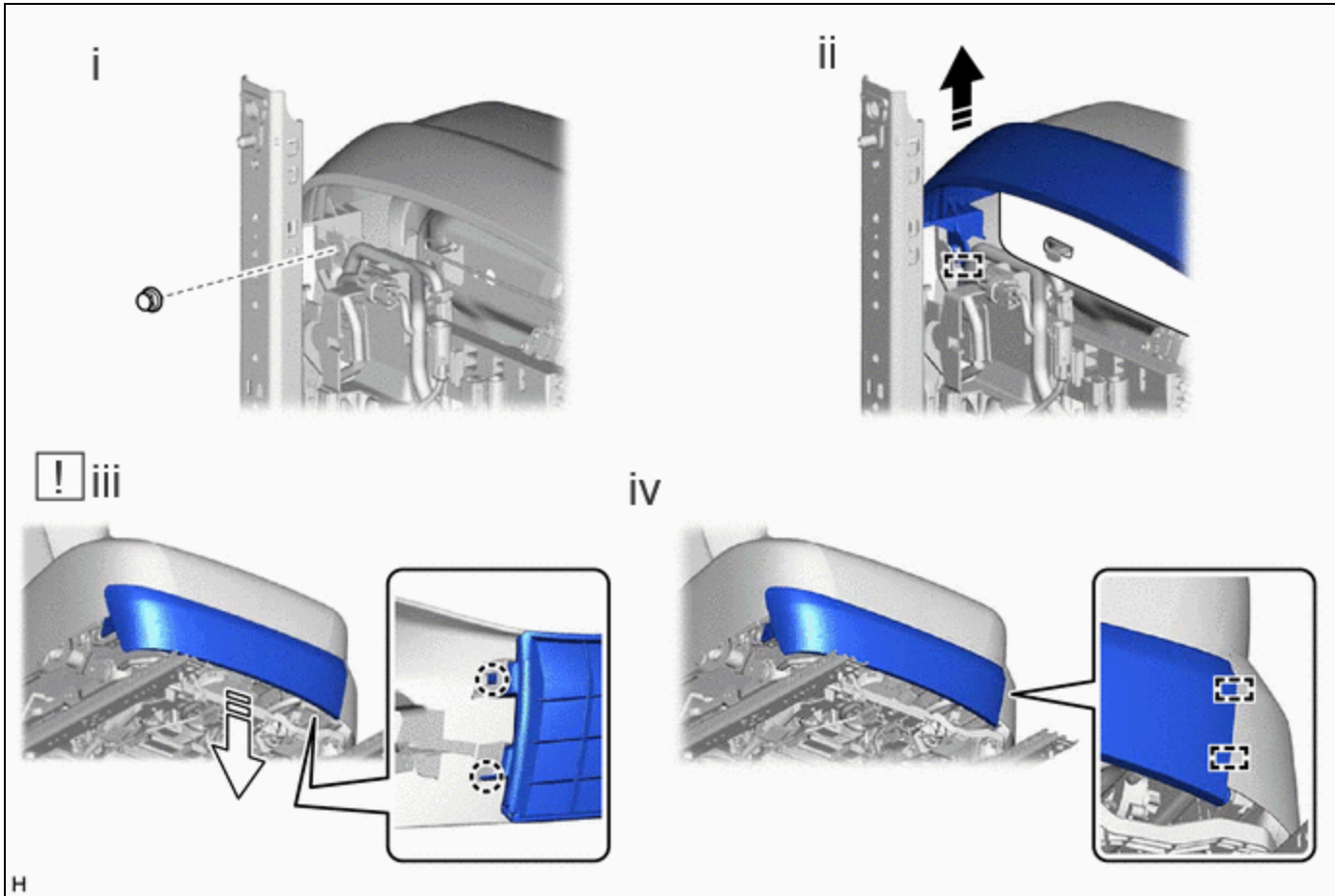
### 3. REMOVE SEAT HEATER CONTROL SUB-ASSEMBLY (w/ Seat Heater System)

Click here [INFO](#)

### 4. REMOVE POSITION CONTROL ECU ASSEMBLY (w/ Seat Position Memory System)

Click here [INFO](#)

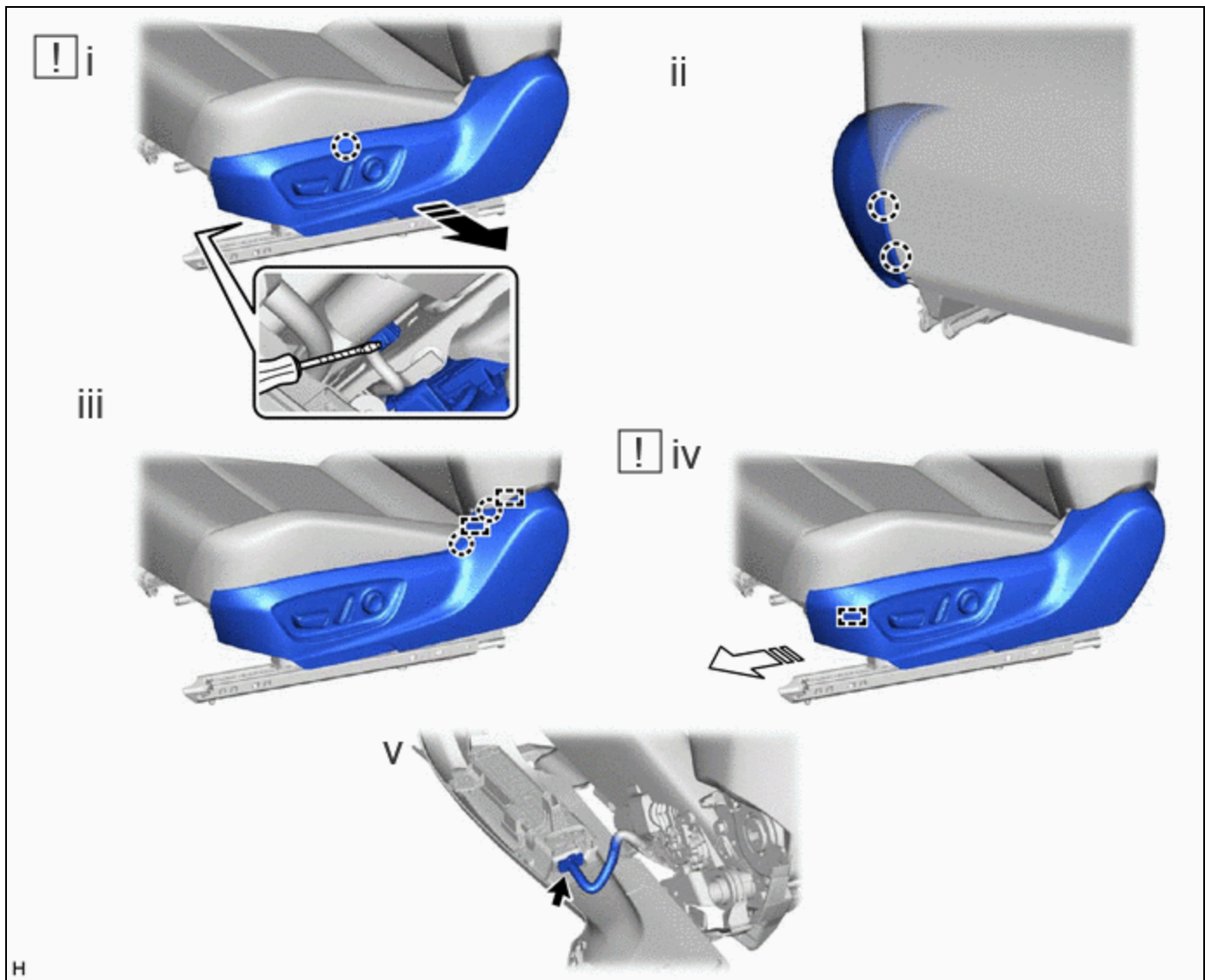
### 5. REMOVE FRONT SEAT FRONT CUSHION SHIELD





	Remove in this Direction (1)		Remove in this Direction (2)
--	------------------------------	--	------------------------------

- (1) Remove the clip.
- (2) Disengage the guide as shown in the illustration.
- (3) Disengage the 2 claws as shown in the illustration.
- (4) Disengage the 2 guides to remove the front seat front cushion shield.

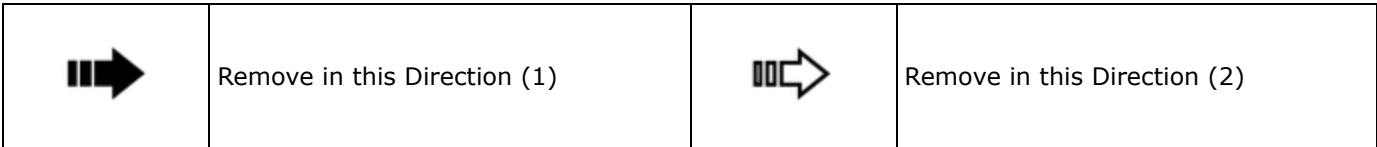
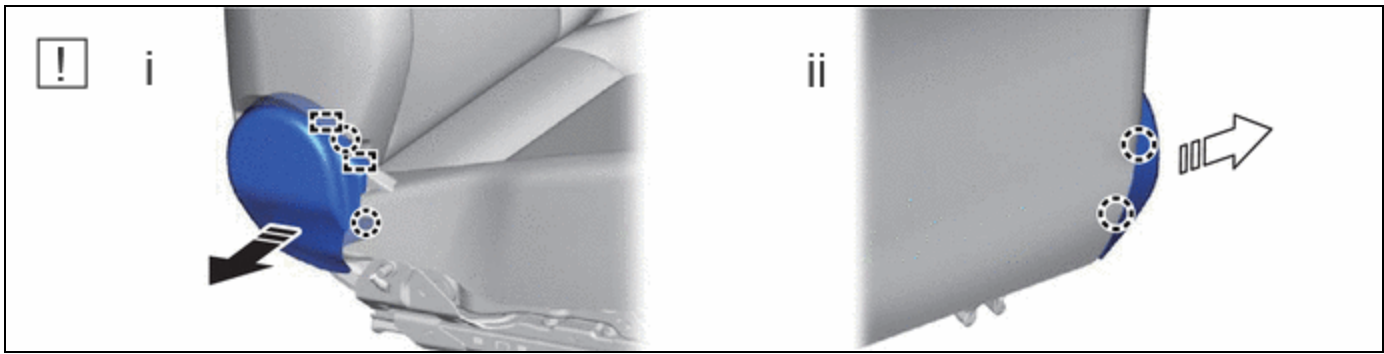
### 6. REMOVE FRONT SEAT CUSHION SHIELD



	Remove in this Direction (1)		Remove in this Direction (2)
---	------------------------------	---	------------------------------

- (1) Using a screwdriver with its tip wrapped with protective tape, disengage the claw and slightly pull the front seat cushion shield as shown in the illustration.
- (2) Disengage the 2 claws.
- (3) Disengage the 2 claws and 2 guides.
- (4) Disengage the guide as shown in the illustration.
- (5) Disconnect the front power seat switch connector to remove the front seat cushion shield.

## 7. REMOVE FRONT SEAT INNER CUSHION SHIELD



(1) Disengage the 2 claws and 2 guides as shown in the illustration.

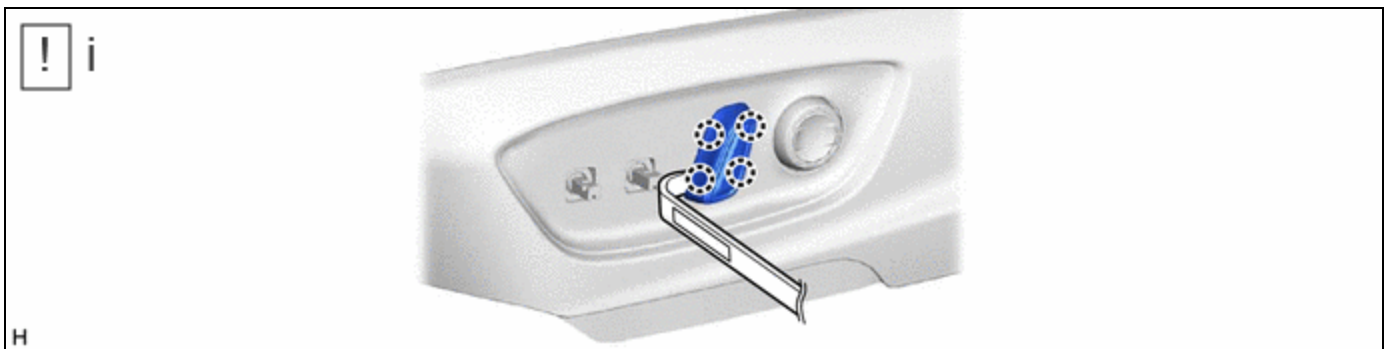
(2) Disengage the 2 claws to remove the front seat inner cushion shield as shown in the illustration.

## 8. REMOVE SLIDE AND VERTICAL POWER SEAT SWITCH KNOB



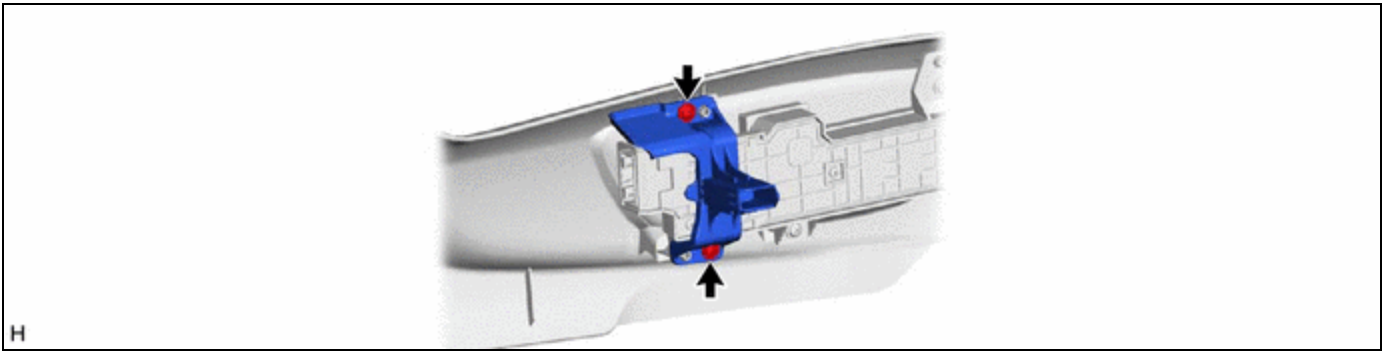
(1) Using a moulding remover, disengage the 4 claws to remove the slide and vertical power seat switch knob.

## 9. REMOVE RECLINING POWER SEAT SWITCH KNOB



(1) Using a moulding remover, disengage the 4 claws to remove the reclining power seat switch knob.

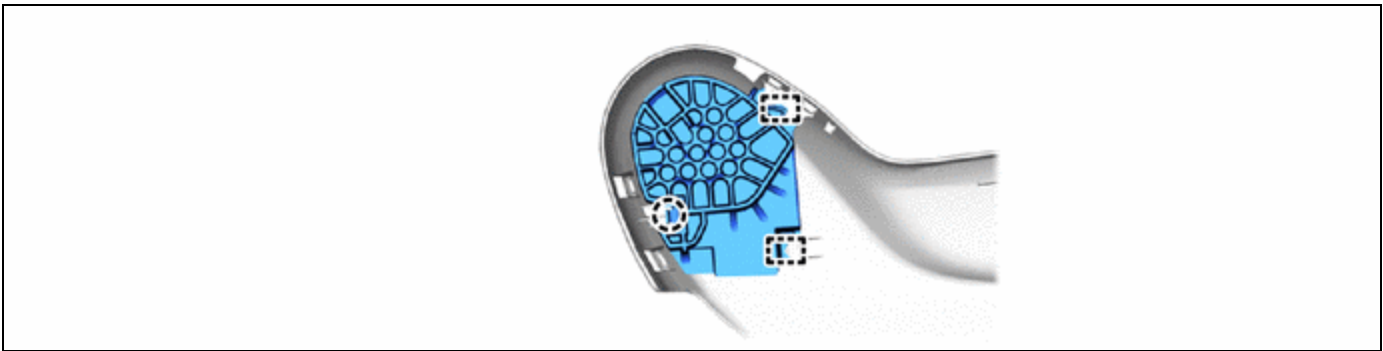
## 10. REMOVE SEAT ADJUSTER SHIELD CLAMP BRACKET



### 11. REMOVE FRONT POWER SEAT SWITCH

Click here [INFO](#)

### 12. REMOVE NO. 3 LOWER SEAT TRACK SPACER (w/ Occupant Classification System)



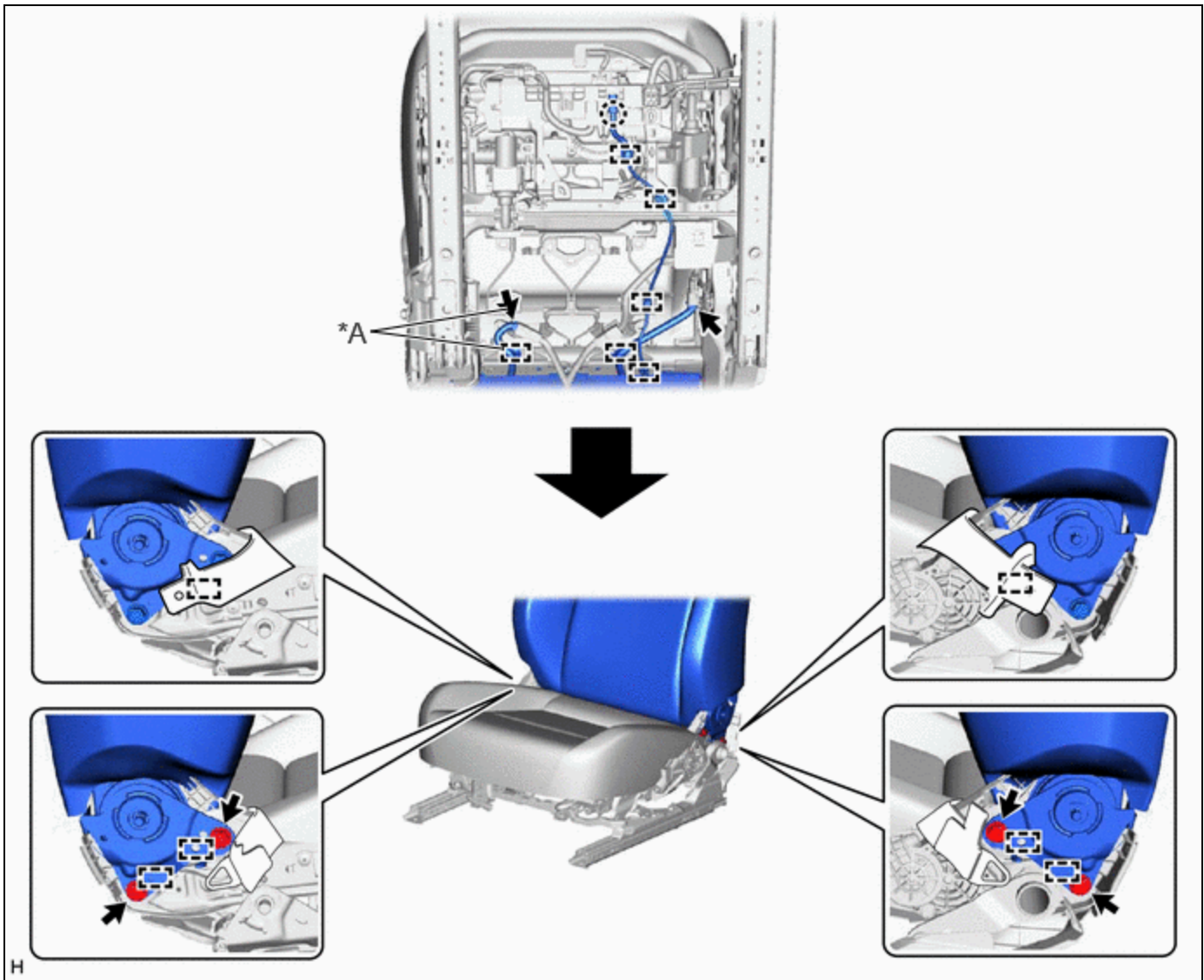
### 13. REMOVE NO. 4 LOWER SEAT TRACK SPACER (w/ Occupant Classification System)



### 14. REMOVE SEPARATE TYPE FRONT SEATBACK ASSEMBLY

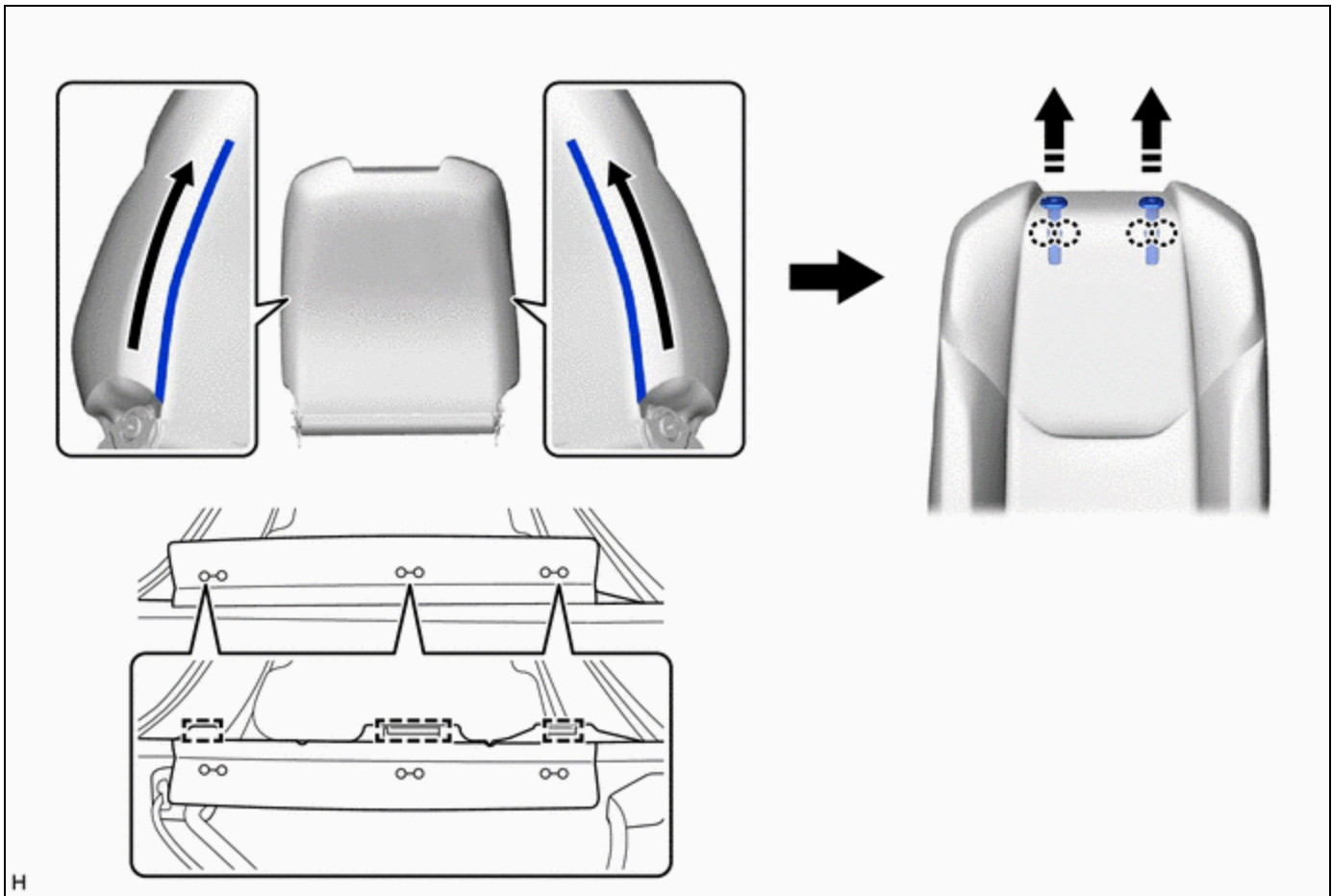
#### HINT:

As the illustration shown is an example, the actual details may differ.



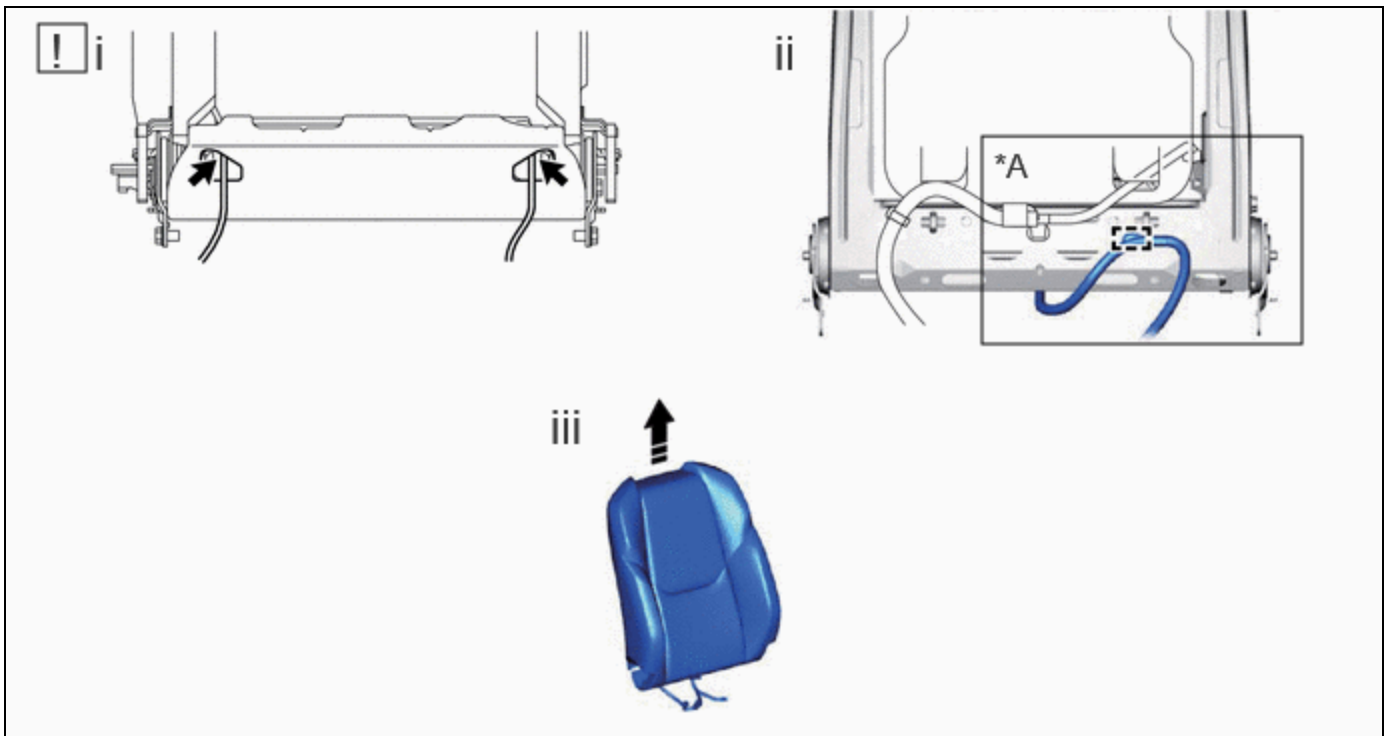
*A	w/ Seat Heater System	-	-
----	-----------------------	---	---

**15. REMOVE FRONT SEAT HEADREST SUPPORT**




	Remove in this Direction	-	-
--	--------------------------	---	---

**16. REMOVE SEPARATE TYPE FRONT SEATBACK COVER WITH PAD**

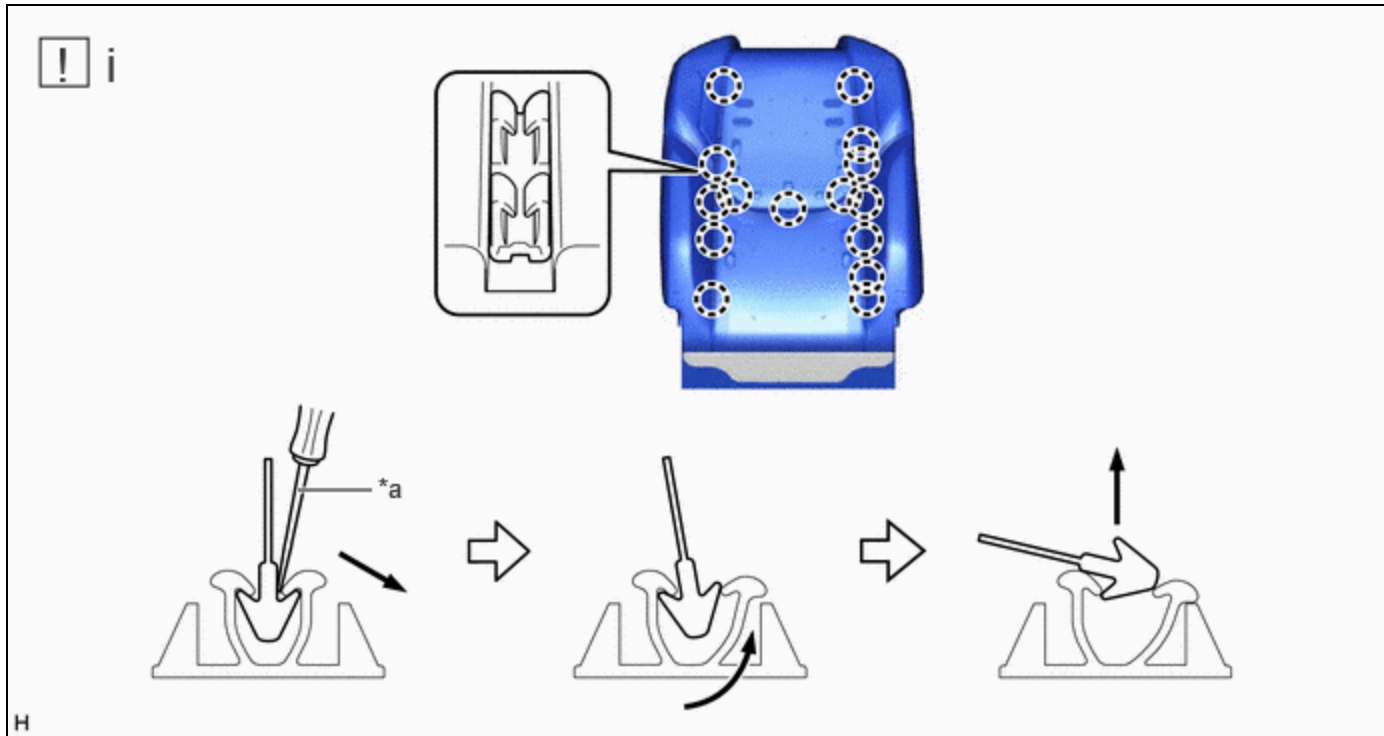




*A	w/ Seat Heater System	-	-
	Remove in this Direction	-	-

- (1) Pass each wire harness through the holes of the separate type front seatback cover as shown in the illustration.
- (2) Disengage the clamp. (w/ Seat Heater System)
- (3) Remove the separate type front seatback cover with pad as shown in the illustration.


**17. REMOVE SEPARATE TYPE FRONT SEATBACK COVER**




*a	Screwdriver	-	-
----	-------------	---	---

- (1) Using a screwdriver, disengage the 15 claws and remove the separate type front seatback cover from the separate type front seatback pad as shown in the illustration.

**18. REMOVE FRONT SEATBACK HEATER ASSEMBLY (w/ Seat Heater System)**

	Click here <a href="#">INFO</a>
---	---------------------------------

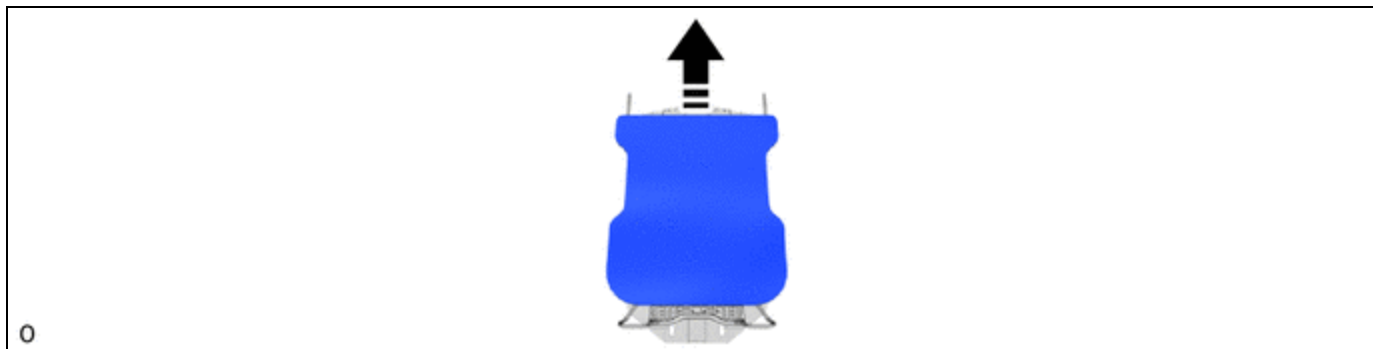
**19. REMOVE FRONT SEAT AIRBAG ASSEMBLY**

	Click here <a href="#">INFO</a>
---	---------------------------------

**20. REMOVE LUMBAR SUPPORT ADJUSTER ASSEMBLY**

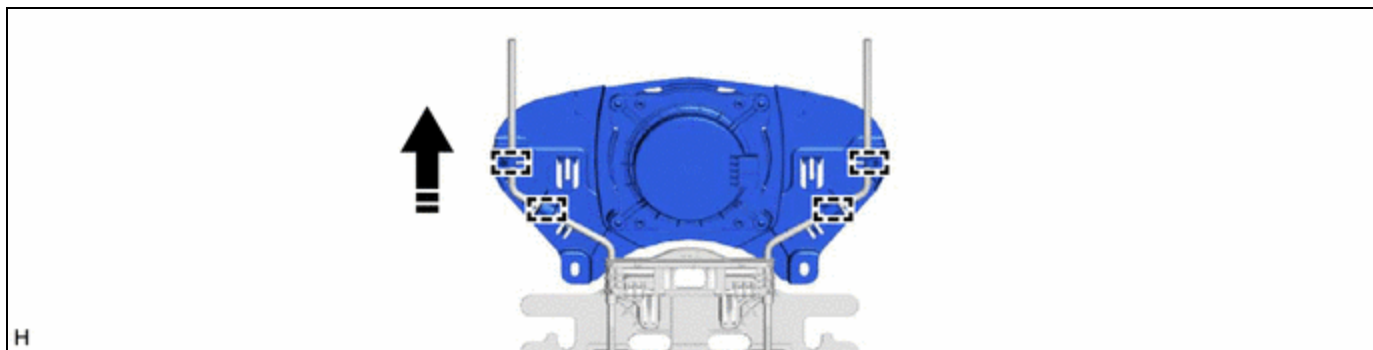
Click here [INFO](#)

**21. REMOVE FRONT SEATBACK FELT**



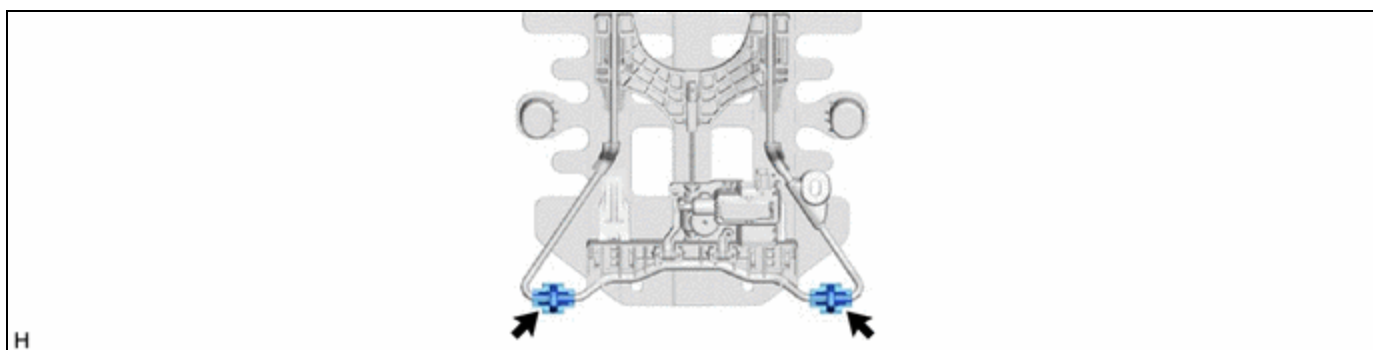
	Remove in this Direction	-	-
--	--------------------------	---	---

**22. REMOVE SEATBACK CLIMATE CONTROL BLOWER (w/ Climate Control Seat System)**

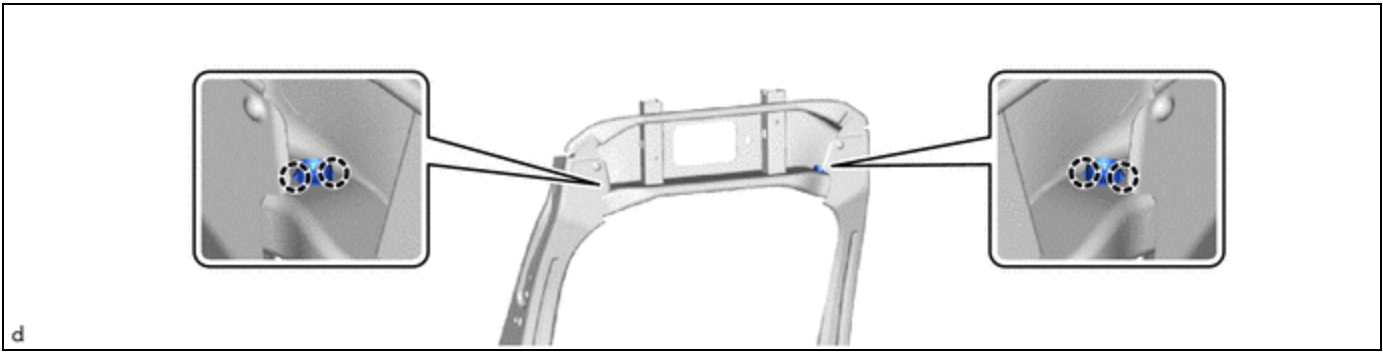


	Remove in this Direction	-	-
--	--------------------------	---	---

**23. REMOVE FRONT NO. 2 SEATBACK EDGE PROTECTOR**



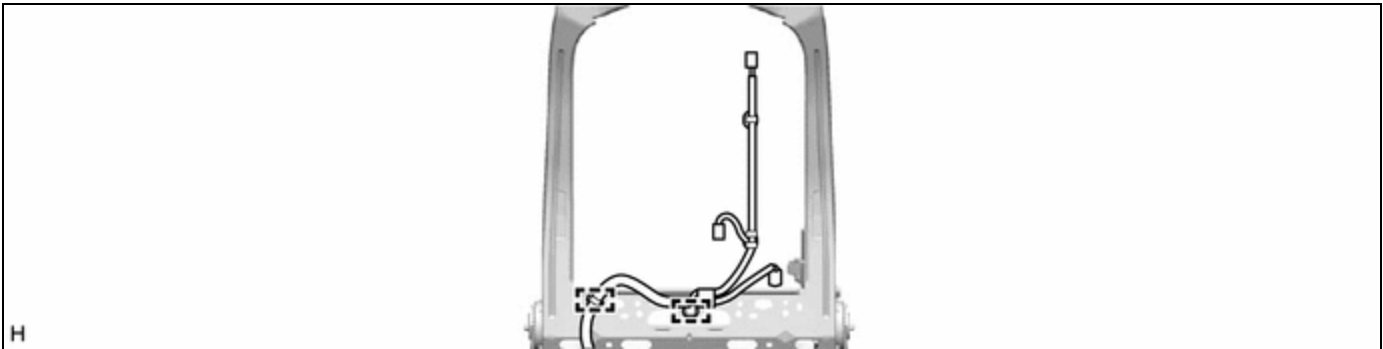
**24. REMOVE FRONT NO. 2 SEATBACK HOOK**



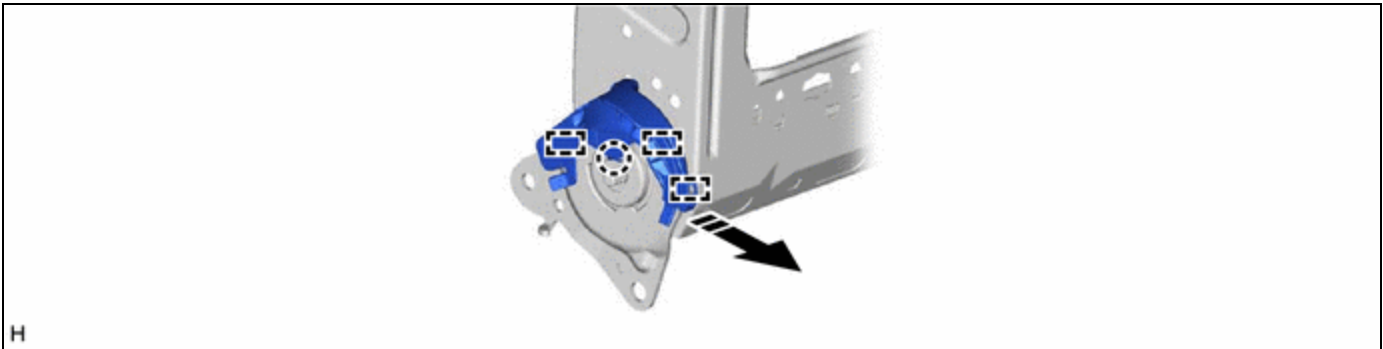
**25. REMOVE FRONT SEAT NO. 2 WIRE**

**HINT:**

As the illustration shown is an example, the actual details may differ.



**26. REMOVE NO. 2 RECLINING COVER PROTECTOR (w/ Occupant Classification System)**



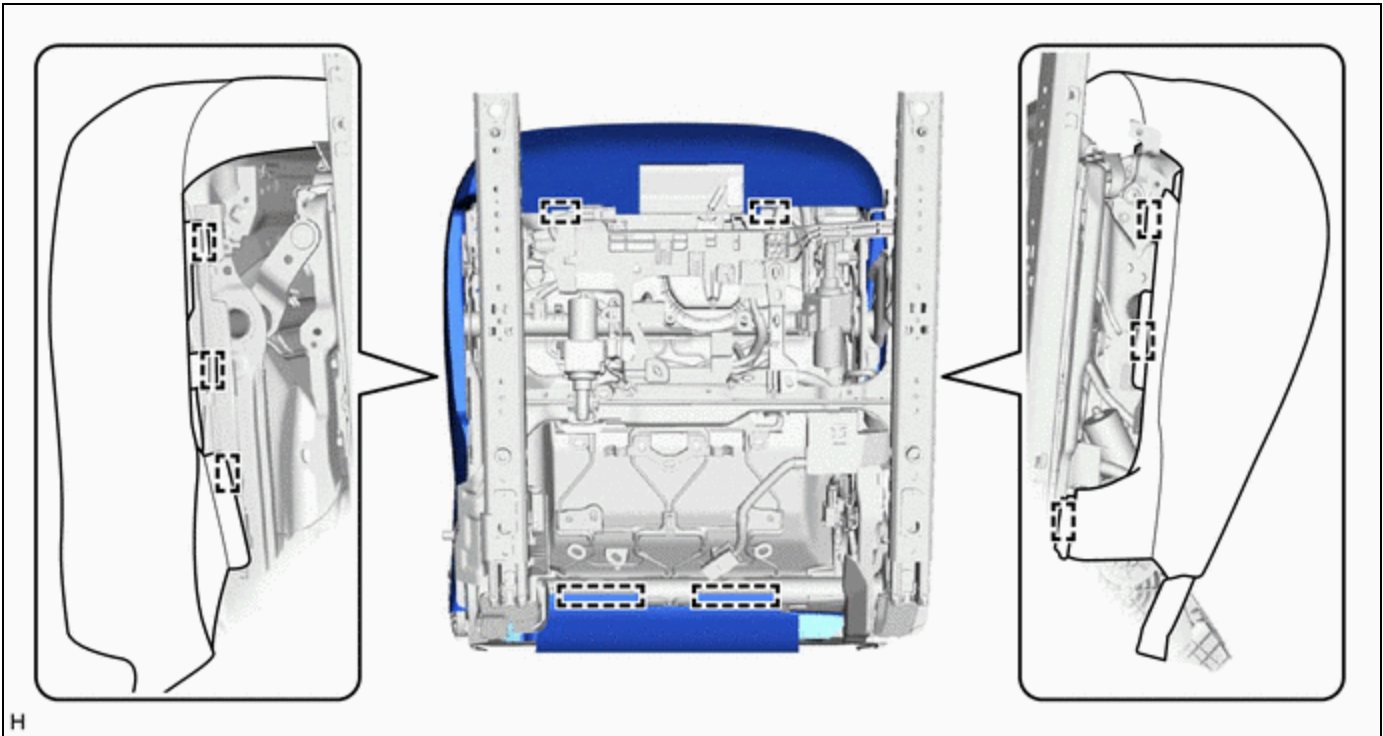
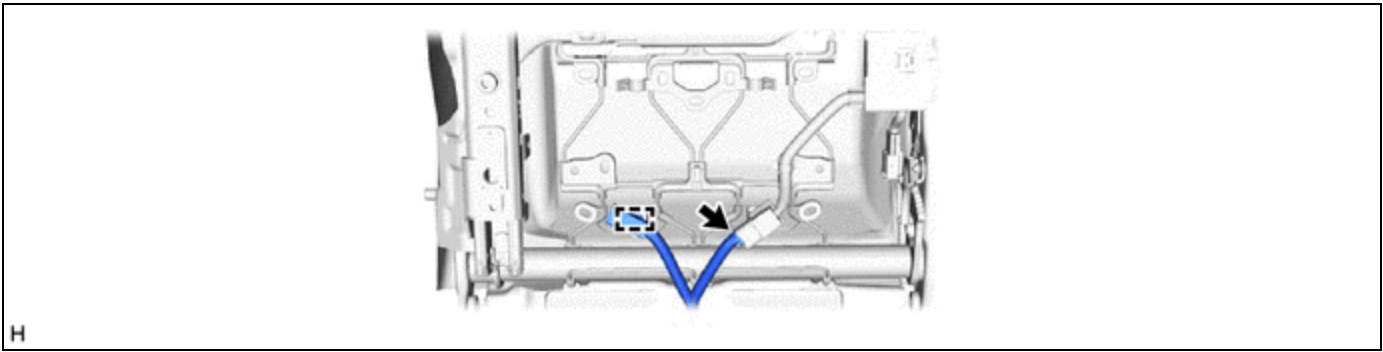
	Remove in this Direction	-	-
--	--------------------------	---	---

**27. REMOVE SEPARATE TYPE FRONT SEAT CUSHION COVER WITH PAD**

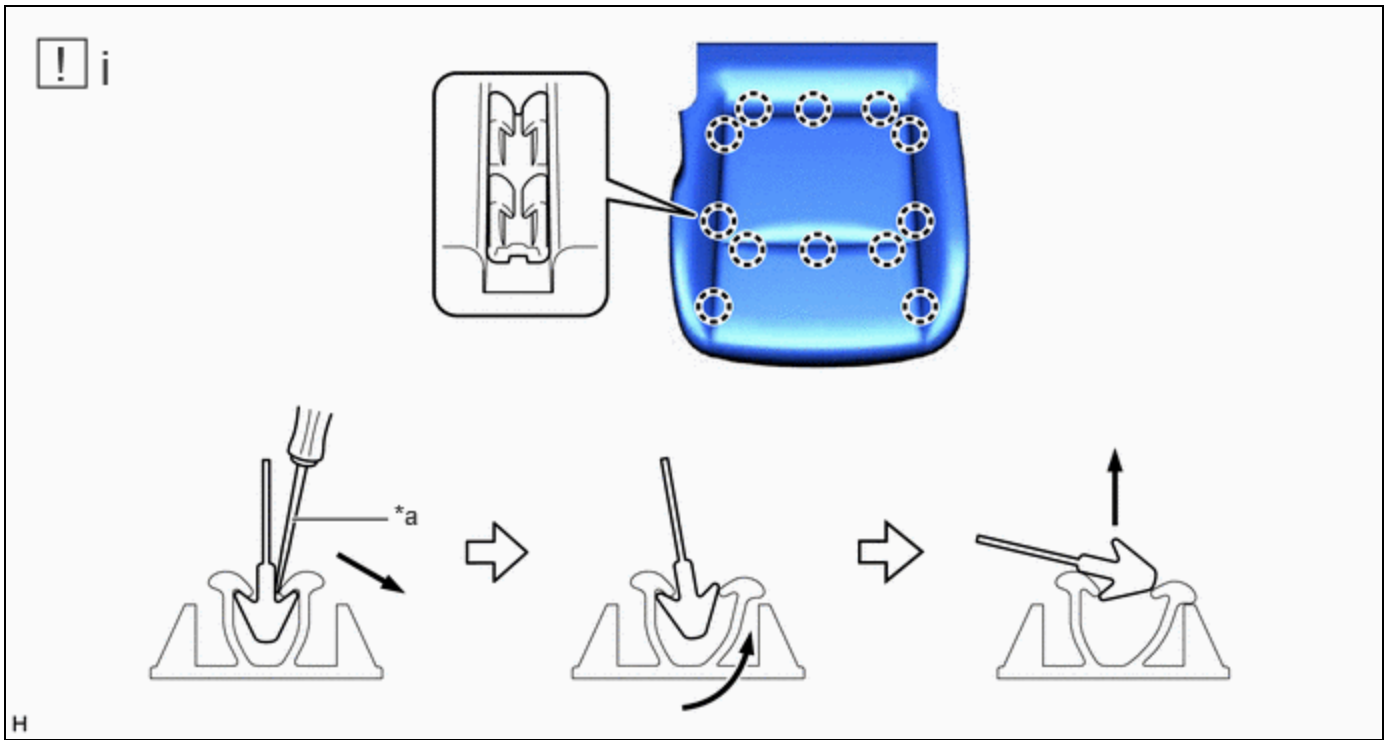
**HINT:**

As the illustration shown is an example, the actual details may differ.

(a) w/ Seat Heater System:




**28. REMOVE SEPARATE TYPE FRONT SEAT CUSHION COVER**



*a	Screwdriver	-	-
----	-------------	---	---

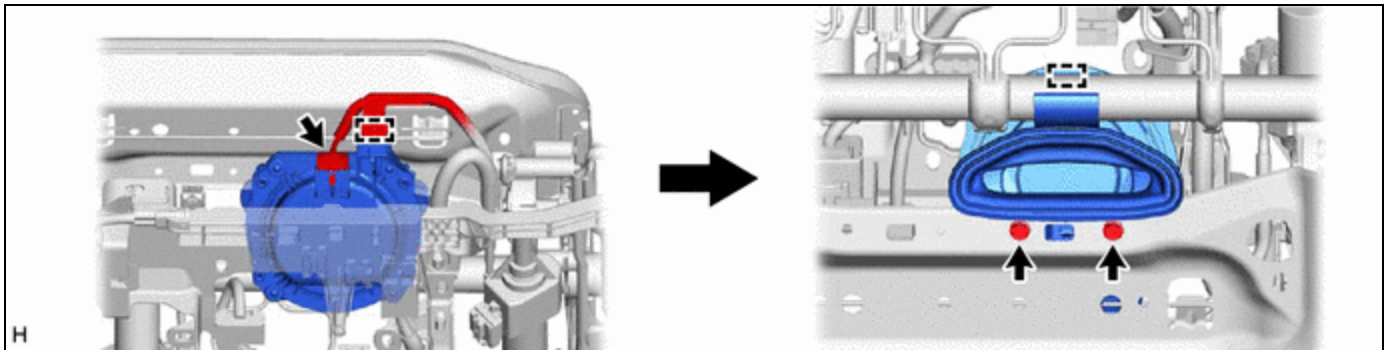
(1) Using a screwdriver, disengage the 12 claws and remove the separate type front seat cushion cover from the separate type front seat cushion pad as shown in the illustration.

**29. REMOVE FRONT SEAT CUSHION HEATER ASSEMBLY (w/ Seat Heater System)**



Click here [INFO](#)

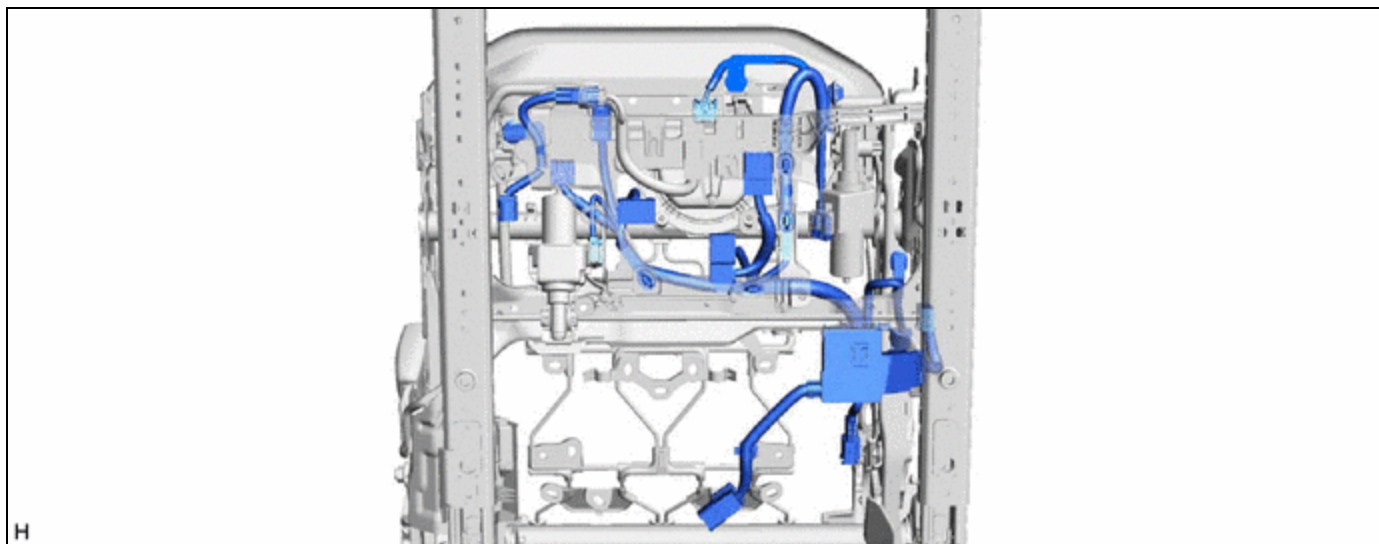
**30. REMOVE SEAT CUSHION CLIMATE CONTROL BLOWER ASSEMBLY (w/ Climate Control Seat System)**



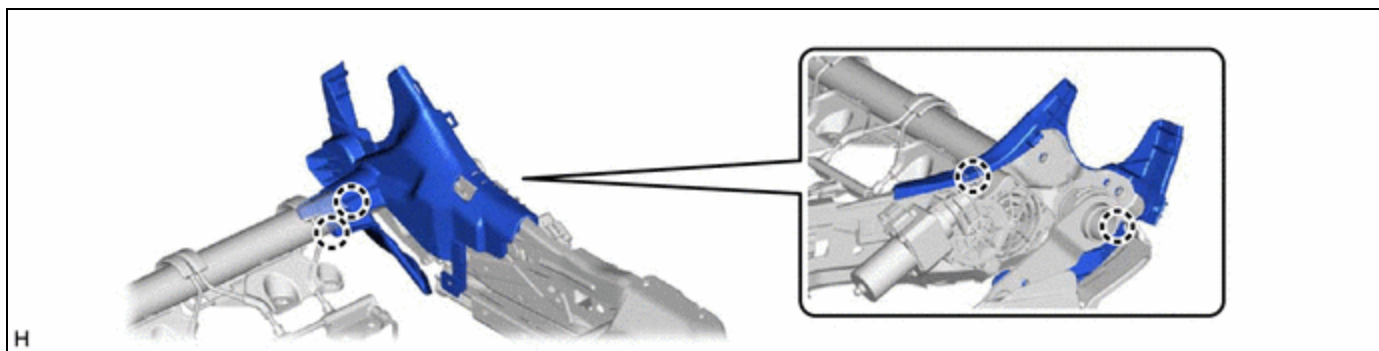
**31. REMOVE FRONT SEAT WIRE**

**HINT:**

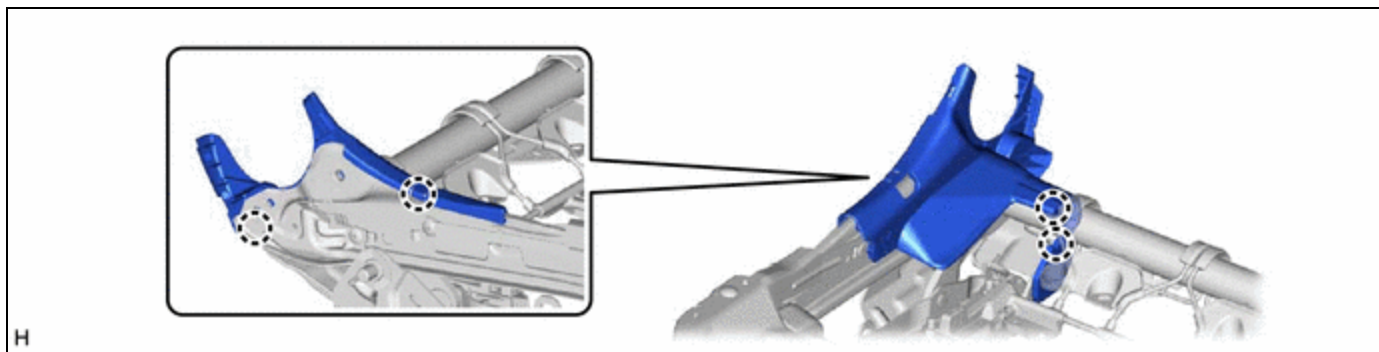
As the illustration shown is an example, the actual details may differ.



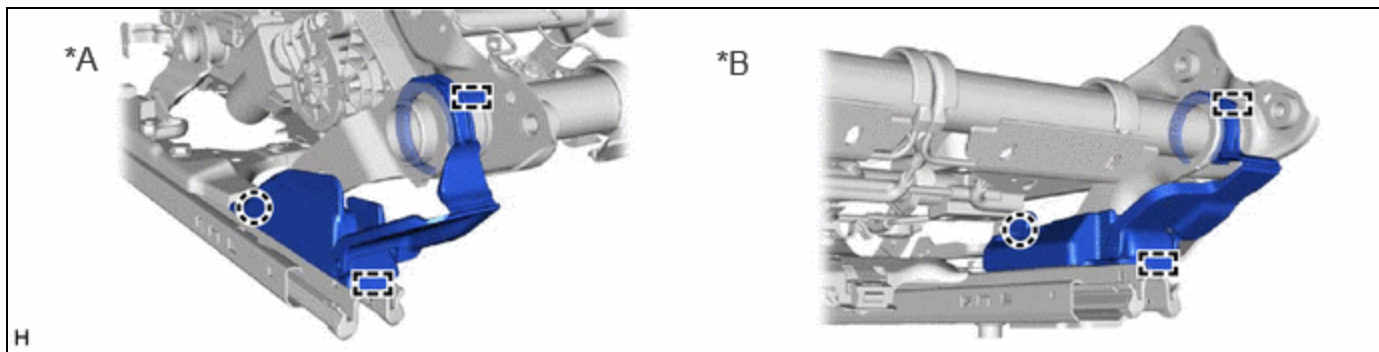
**32. REMOVE LH SEAT RECLINING ADJUSTER INSIDE COVER (for LH Side)**



**33. REMOVE LH SEAT RECLINING ADJUSTER INSIDE COVER (for RH Side)**

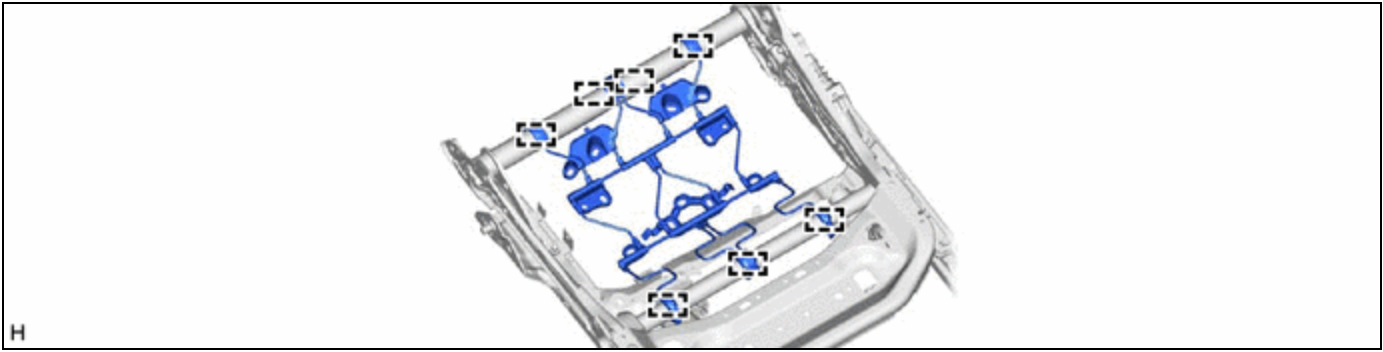


**34. REMOVE FRONT SEAT LOWER CUSHION SHIELD**

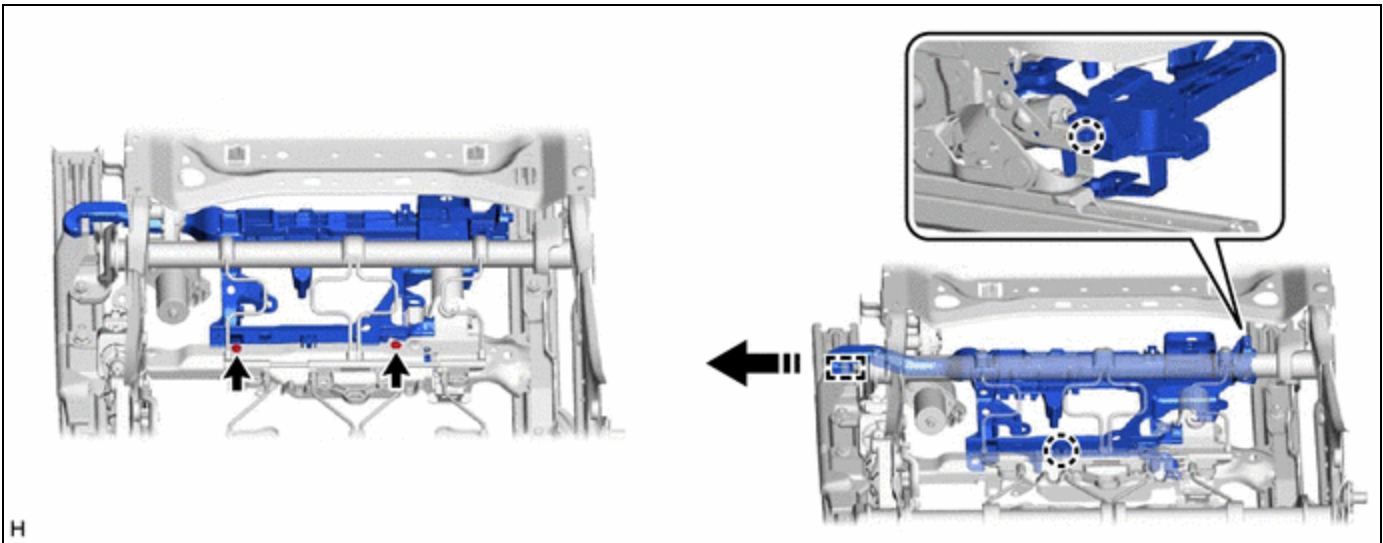


*A	for LH Side	*B	for RH Side
----	-------------	----	-------------

**35. REMOVE FRONT SEAT CUSHION SPRING SUB-ASSEMBLY**

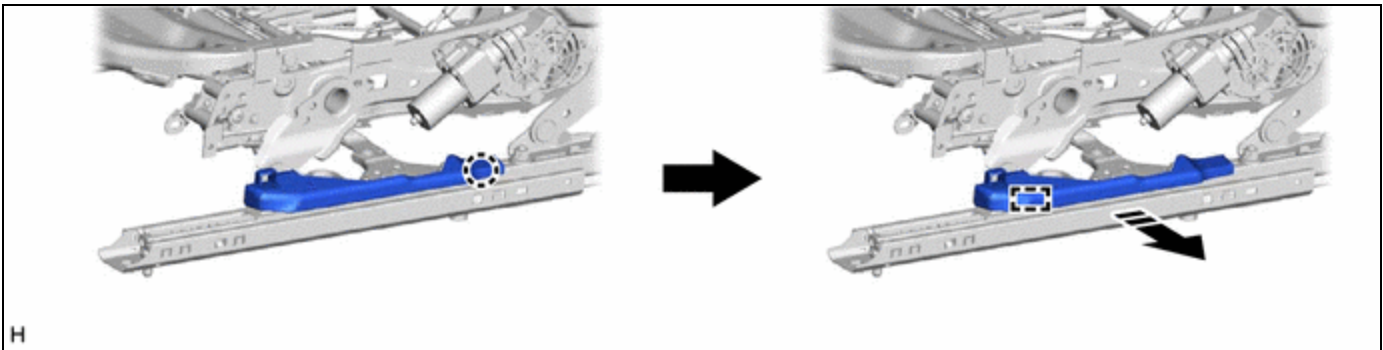


**36. REMOVE FRONT SEAT CUSHION WIRE HARNESS HOLDER**



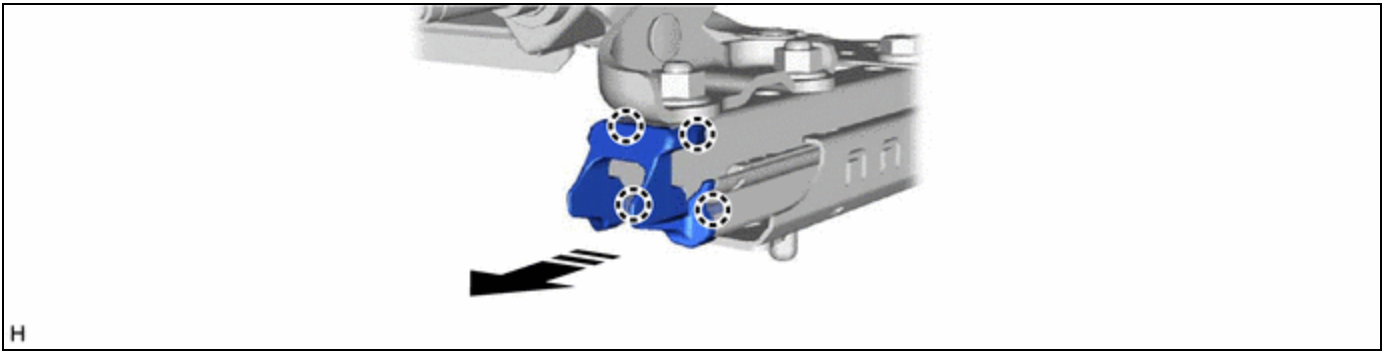
	Remove in this Direction	-	-
--	--------------------------	---	---


**37. REMOVE FRONT SEAT LOWER CUSHION SHIELD LH**



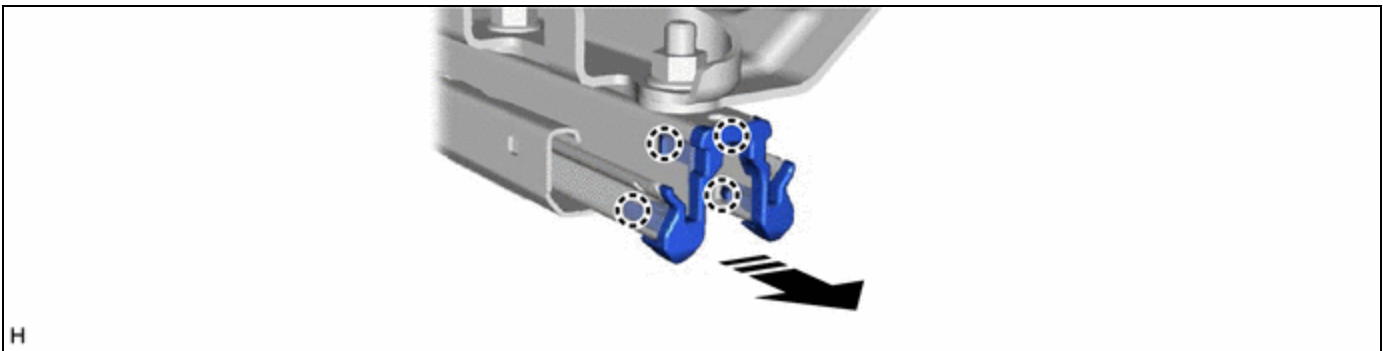
	Remove in this Direction	-	-
--	--------------------------	---	---


**38. REMOVE SEAT TRACK UPPER RAIL COVER**



	Remove in this Direction	-	-
---	--------------------------	---	---

**39. REMOVE UPPER NO. 3 SEAT TRACK COVER**



	Remove in this Direction	-	-
---	--------------------------	---	---

**40. REMOVE POWER SEAT LIFTER MOTOR ASSEMBLY**

Click here [INFO](#)

**41. REMOVE POWER SEAT TILT MOTOR ASSEMBLY**

Click here [INFO](#)

**42. REMOVE UPPER SEAT TRACK RAIL SUB-ASSEMBLY**

Click here [INFO](#)

