

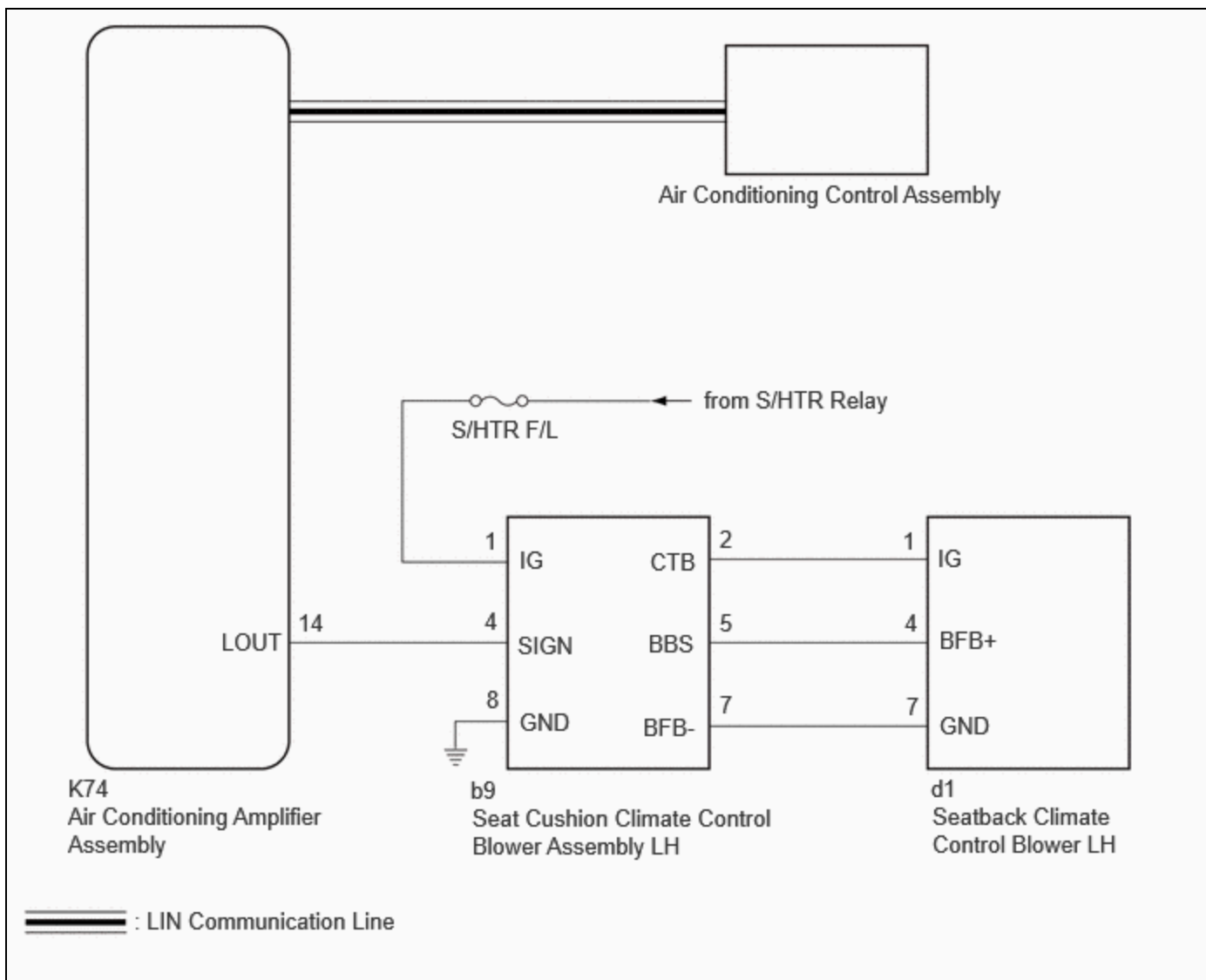
<b>Last Modified:</b> 12-04-2024	6.11:8.1.0	<b>Doc ID:</b> RM10000002BNGT
<b>Model Year Start:</b> 2023	<b>Model:</b> Prius Prime	<b>Prod Date Range:</b> [03/2023 - ]
<b>Title:</b> SEAT: CLIMATE CONTROL SEAT SYSTEM: Climate Control System does not Operate on Driver Side; 2023 - 2024 MY Prius Prius Prime [03/2023 - ]		

**Climate Control System does not Operate on Driver Side**

## DESCRIPTION

The air conditioning amplifier assembly receives ventilation volume switch signals when the ignition switch is ON, and then transmits airflow amount signals to each seat climate blower.

## WIRING DIAGRAM



## CAUTION / NOTICE / HINT

**NOTICE:**

- If the climate control seat system is operated when the auxiliary battery voltage is low, due to the electrical load limit control that gives voltage supply priority to the power steering system, the climate control seat system may not operate. In this case, check the vehicle control history (RoB) of the power steering system and check that "Battery Voltage Drop: X208F" is not stored before proceeding with troubleshooting.

Click here [INFO](#)

- Inspect the fuses for circuits related to this system before performing the following procedure.

## PROCEDURE

<b>1.</b>	<b>PERFORM ACTIVE TEST USING GTS</b>
-----------	--------------------------------------

(a) Perform the Active Test according to the display on the GTS.

### Body Electrical > Air Conditioner > Active Test

TESTER DISPLAY	MEASUREMENT ITEM	CONTROL RANGE	DIAGNOSTIC NOTE
Front Left Seat Blower	Front LH side seat blower operation	OFF or ON	-

### Body Electrical > Air Conditioner > Active Test

TESTER DISPLAY
Front Left Seat Blower

RESULT	PROCEED TO
Both seat cushion seat blower and seatback seat blower operate	A
Only seat cushion seat blower does not operate	B
Only seatback seat blower does not operate	C
Both seat cushion seat blower and seatback seat blower do not operate	D

#### **A** **GO TO AIR CONDITIONING SYSTEM**

for HEV Model: Click here [INFO](#)

for PHEV Model: Click here [INFO](#)

#### **B** **REPLACE SEAT CUSHION CLIMATE CONTROL BLOWER ASSEMBLY LH**

#### **D** **GO TO STEP 5**

**C****2.****CHECK HARNESS AND CONNECTOR (SEAT CUSHION CLIMATE CONTROL BLOWER ASSEMBLY LH - SEATBACK CLIMATE CONTROL BLOWER LH)**

- (a) Disconnect the b9 seat cushion climate control blower assembly LH connector.
- (b) Disconnect the d1 seatback climate control blower LH connector.
- (c) Measure the resistance according to the value(s) in the table below.

Standard Resistance:

[Click Location & Routing\(b9,d1\).](#)[Click Connector\(b9\).](#)[Click Connector\(d1\).](#)

TESTER CONNECTION	CONDITION	SPECIFIED CONDITION
b9-2 (CTB) - d1-1 (IG)	Always	Below 1 $\Omega$
b9-2 (CTB) or d1-1 (IG) - Body ground	Always	10 k $\Omega$ or higher
b9-5 (BBS) -d1-4 (BFB+)	Always	Below 1 $\Omega$
b9-5 (BBS) or d1-4 (BFB+) - Body ground	Always	10 k $\Omega$ or higher
b9-7 (BFB-) - d1-7 (GND)	Always	Below 1 $\Omega$
b9-7 (BFB-) or d1-7 (GND) - Body ground	Always	10 k $\Omega$ or higher

**NG** **REPAIR OR REPLACE HARNESS OR CONNECTOR****OK****3.****REPLACE SEATBACK CLIMATE CONTROL BLOWER LH**

- (a) Replace the seatback climate control blower LH with a new or known good one.

Click here

**NEXT**

**4. CHECK CLIMATE CONTROL SEAT OPERATION**

(a) Check the climate control seat operation.

Click here [INFO](#)

OK:  
The climate control seat operates normally.

**OK** ▶ **END (SEATBACK CLIMATE CONTROL BLOWER LH WAS DEFECTIVE)**

**NG** ▶ **REPLACE SEAT CUSHION CLIMATE CONTROL BLOWER ASSEMBLY LH**

**5. CHECK HARNESS AND CONNECTOR (SEAT CUSHION CLIMATE CONTROL BLOWER ASSEMBLY LH - POWER SUPPLY)**

(a) Disconnect the b9 seat cushion climate control blower assembly LH connector.

(b) Measure the voltage according to the value(s) in the table below.

Standard Voltage:



[Click Location & Routing\(b9\).](#)

[Click Connector\(b9\).](#)

TESTER CONNECTION	SWITCH CONDITION	SPECIFIED CONDITION
b9-1 (IG) - Body ground	Ignition switch ON	11 to 14 V
b9-1 (IG) - Body ground	Ignition switch off	Below 1 V

(c) Measure the resistance according to the value(s) in the table below.

Standard Resistance:



[Click Location & Routing\(b9\).](#)

[Click Connector\(b9\).](#)

TESTER CONNECTION	CONDITION	SPECIFIED CONDITION
b9-8 (GND) - Body ground	Always	Below 1 Ω

**NG** ▶ **REPAIR OR REPLACE HARNESS OR CONNECTOR**

**OK**



**6. CHECK HARNESS AND CONNECTOR (AIR CONDITIONING AMPLIFIER ASSEMBLY - SEAT CUSHION CLIMATE CONTROL BLOWER ASSEMBLY LH)**

- (a) Disconnect the K74 air conditioning amplifier assembly connector.  
 (b) Measure the resistance according to the value(s) in the table below.

Standard Resistance:



[Click Location & Routing\(K74,b9\)](#)

[Click Connector\(K74\)](#)

[Click Connector\(b9\)](#)

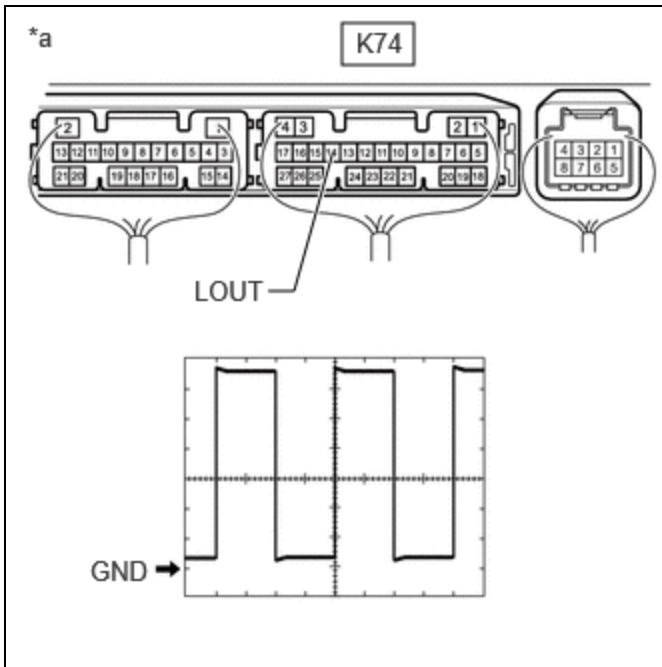
TESTER CONNECTION	CONDITION	SPECIFIED CONDITION
K74-14 (LOUT) - b9-4 (SIGN)	Always	Below 1 $\Omega$
K74-14 (LOUT) or b9-4 (SIGN) - Body ground	Always	10 k $\Omega$ or higher

**NG** **REPAIR OR REPLACE HARNESS OR CONNECTOR**

**OK**



**7. CHECK AIR CONDITIONING AMPLIFIER ASSEMBLY**



*a	Component with harness connected (Air Conditioning Amplifier Assembly)
----	---

- (a) Connect the K74 air conditioning amplifier assembly connector.
- (b) Connect the b9 seat cushion climate control blower assembly LH connector.
- (c) Check for pulses according to the value(s) in the table below.

**Measurement Condition**

ITEM	CONTENT
Tester Connection	K74-14 (LOUT) - Body ground
Tool Setting	1 V/DIV., 1 ms/DIV.
Vehicle Condition	<ul style="list-style-type: none"> <li>• Ignition switch ON</li> <li>• Climate control switch LH on</li> </ul>

OK:  
Waveform is similar to that shown in the illustration.

**OK** ► REPLACE SEAT CUSHION CLIMATE CONTROL BLOWER ASSEMBLY LH

**NG** ► REPLACE AIR CONDITIONING AMPLIFIER ASSEMBLY

