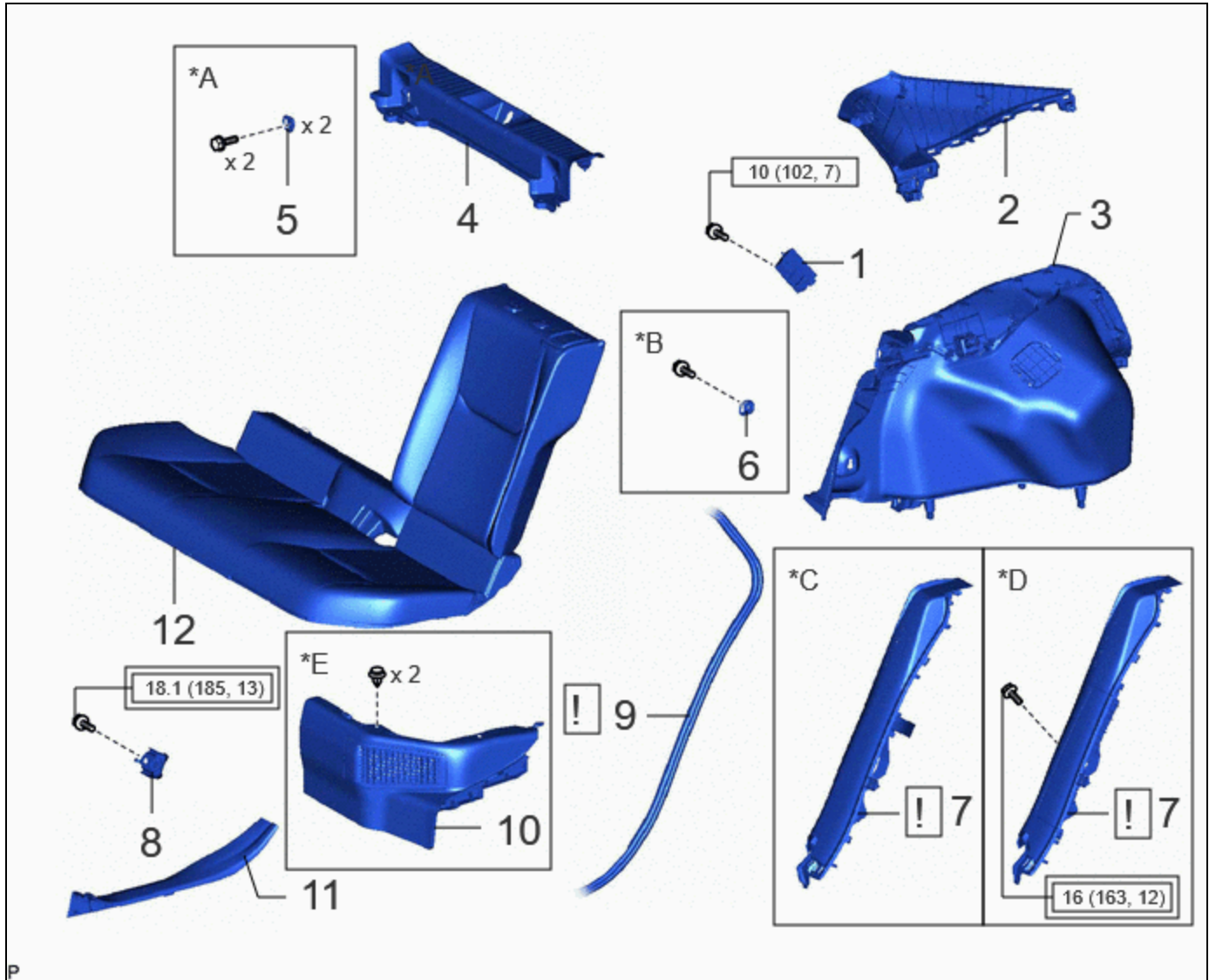


Last Modified: 12-04-2024	6.11:8.1.0	Doc ID: RM100000002BXBY
Model Year Start: 2023	Model: Prius Prime	Prod Date Range: [03/2023 -]
Title: DOOR LOCK: DOOR CONTROL RECEIVER: INSTALLATION; 2023 - 2024 MY Prius Prius Prime [03/2023 -]		




INSTALLATION



CAUTION / NOTICE / HINT

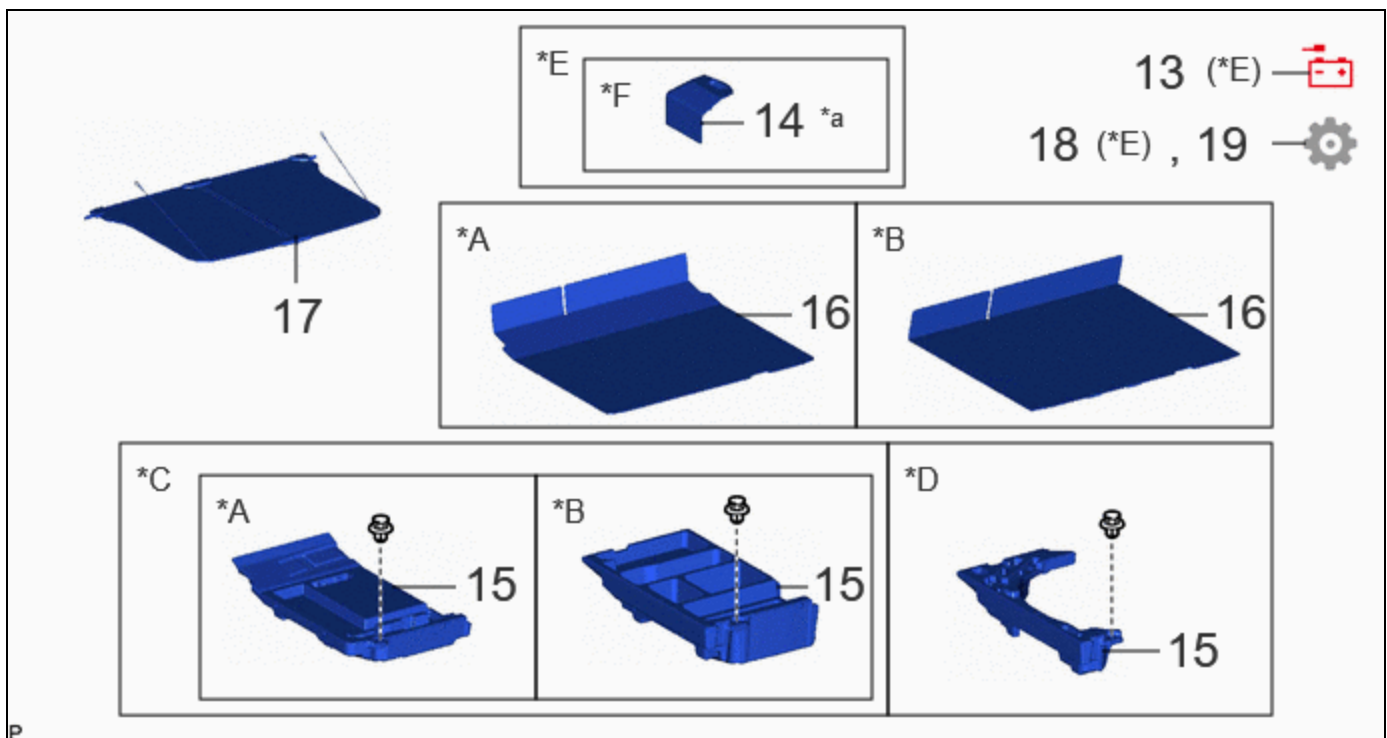
COMPONENTS (INSTALLATION)






PROCEDURE		PART NAME CODE	!	📄	⚙️
1	ELECTRICAL KEY AND TIRE PRESSURE MONITORING SYSTEM RECEIVER ASSEMBLY	897B0A	-	-	-

PROCEDURE		PART NAME CODE			
2	ROOF SIDE INNER GARNISH ASSEMBLY LH	62480A	-	-	-
3	DECK TRIM SIDE PANEL ASSEMBLY LH	64740C	-	-	-
4	REAR DECK TRIM COVER	64716D	-	-	-
5	LUGGAGE HOLD BELT STRIKER ASSEMBLY	58460D	-	-	-
6	LUGGAGE HOLD BELT STRIKER ASSEMBLY	58460D	-	-	-
7	REAR SEAT SIDE GARNISH LH	62552F	INFO	-	-
8	REAR SEATBACK HINGE SUB-ASSEMBLY LH	71304C	-	-	-
9	REAR DOOR OPENING TRIM WEATHERSTRIP LH	62332A	INFO	-	-
10	REAR UNDER SIDE COVER LH	76974E	-	-	-
11	REAR DOOR SCUFF PLATE INSIDE LH	67918F	-	-	-
12	REAR SEAT CUSHION ASSEMBLY	-	-	-	-

*A	for Rear Side	*B	for LH Side
*C	w/o Rear Seat Side Airbag	*D	w/ Rear Seat Side Airbag
*E	for HEV Model	-	-
	Tightening torque for "Major areas involving basic vehicle performance such as moving/turning/stopping": N*m (kgf*cm, ft.*lbf)		N*m (kgf*cm, ft.*lbf): Specified torque



PROCEDURE		PART NAME CODE			
13	CONNECT CABLE TO NEGATIVE AUXILIARY BATTERY TERMINAL	-	-	-	-
14	BATTERY SERVICE HOLE COVER ASSEMBLY	58440	-	-	-
15	DECK FLOOR BOX LH	64997	-	-	-
16	DECK BOARD ASSEMBLY	58410B	-	-	-
17	TONNEAU COVER ASSEMBLY	64910J	-	-	-
18	INITIALIZATION AFTER RECONNECTING AUXILIARY BATTERY TERMINAL	-	-	-	INFO
19	PERFORM INITIALIZATION	-	-	-	INFO

*A	for Type A	*B	for Type B
*C	w/o Spare Tire	*D	w/ Spare Tire
*E	w/ Rear Seat Side Airbag	*F	for M20A-FXS
*a	<p>HINT: As the illustration shown is an example, the actual details may differ.</p>	-	-

PROCEDURE

1. INSTALL ELECTRICAL KEY AND TIRE PRESSURE MONITORING SYSTEM RECEIVER ASSEMBLY

Torque:

10 N·m {102 kgf·cm, 7 ft·lbf}

2. INSTALL ROOF SIDE INNER GARNISH ASSEMBLY LH

3. INSTALL DECK TRIM SIDE PANEL ASSEMBLY LH

4. INSTALL REAR DECK TRIM COVER

5. INSTALL LUGGAGE HOLD BELT STRIKER ASSEMBLY (for Rear Side)

6. INSTALL LUGGAGE HOLD BELT STRIKER ASSEMBLY (for LH Side)

7. INSTALL REAR SEAT SIDE GARNISH LH

	Click here INFO
---	---------------------------------

8. INSTALL REAR SEATBACK HINGE SUB-ASSEMBLY LH

Click here [INFO](#)

9. INSTALL REAR DOOR OPENING TRIM WEATHERSTRIP LH



Click here [INFO](#)

10. INSTALL REAR UNDER SIDE COVER LH (for HEV Model)

11. INSTALL REAR DOOR SCUFF PLATE INSIDE LH

12. INSTALL REAR SEAT CUSHION ASSEMBLY

Click here [INFO](#)

13. CONNECT CABLE TO NEGATIVE AUXILIARY BATTERY TERMINAL (w/ Rear Seat Side Airbag)

(a) for M20A-FXS:

Click here [INFO](#)

(b) for 2ZR-FXE:

Click here [INFO](#)

14. INSTALL BATTERY SERVICE HOLE COVER ASSEMBLY (w/ Rear Seat Side Airbag)

15. INSTALL DECK FLOOR BOX LH

16. INSTALL DECK BOARD ASSEMBLY

17. INSTALL TONNEAU COVER ASSEMBLY

18. INITIALIZATION AFTER RECONNECTING AUXILIARY BATTERY TERMINAL (w/ Rear Seat Side Airbag)

Click here [INFO](#)

HINT:

When disconnecting and reconnecting the battery, there is an automatic learning function that completes learning when the respective system is used.

Click here [INFO](#)

19. PERFORM INITIALIZATION

Click here [INFO](#)

HINT:

Refer to Procedures Necessary When Replacing Parts (for Tire Pressure Warning System).

