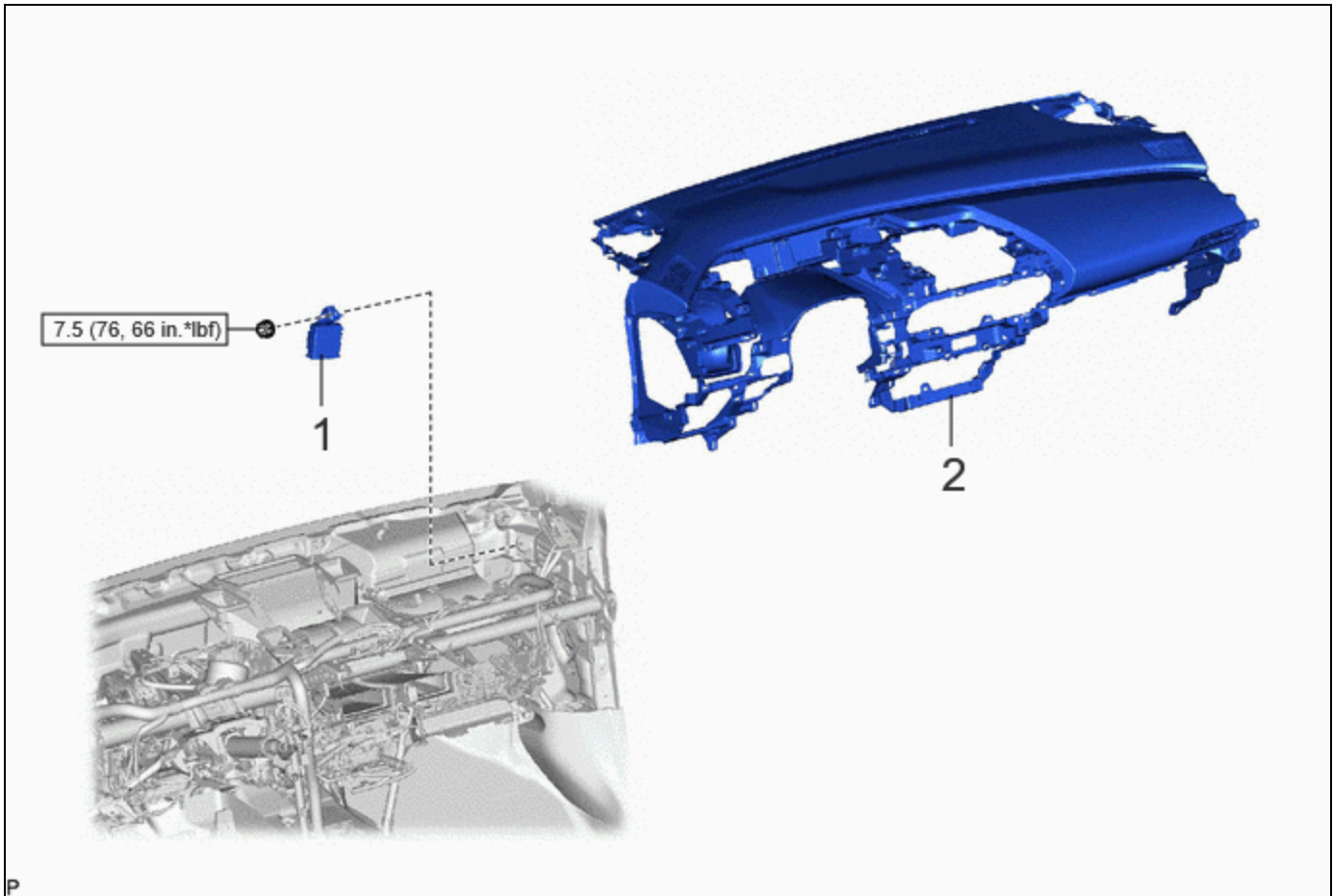


<b>Last Modified:</b> 12-04-2024	6.11:8.1.0	<b>Doc ID:</b> RM1000000029ODW
<b>Model Year Start:</b> 2023	<b>Model:</b> Prius Prime	<b>Prod Date Range:</b> [12/2022 - ]
<b>Title:</b> WIPER / WASHER: WIPER ECU: INSTALLATION; 2023 - 2024 MY Prius Prius Prime [12/2022 - ]		

## INSTALLATION

### CAUTION / NOTICE / HINT

#### COMPONENTS (INSTALLATION)



PROCEDURE		PART NAME CODE			
1	WINDSHIELD WIPER RELAY ASSEMBLY	85940	-	-	-
2	INSTRUMENT PANEL SAFETY PAD	-	-	-	-

	N*m (kgf*cm, ft.*lbf): Specified torque	-	-
--	---	---	---

## PROCEDURE

## 1. INSTALL WINDSHIELD WIPER RELAY ASSEMBLY

### Torque:

**7.5 N·m {76 kgf·cm, 66 in·lbf}**

## 2. INSTALL INSTRUMENT PANEL SAFETY PAD

Click here [INFO](#)

