

Last Modified: 12-04-2024	6.11:8.1.0	Doc ID: RM1000000029ODQ
Model Year Start: 2023	Model: Prius Prime	Prod Date Range: [12/2022 -]
Title: WIPER / WASHER: WASHER NOZZLE (for Front Side): ADJUSTMENT; 2023 - 2024 MY Prius Prius Prime [12/2022 -]		

ADJUSTMENT

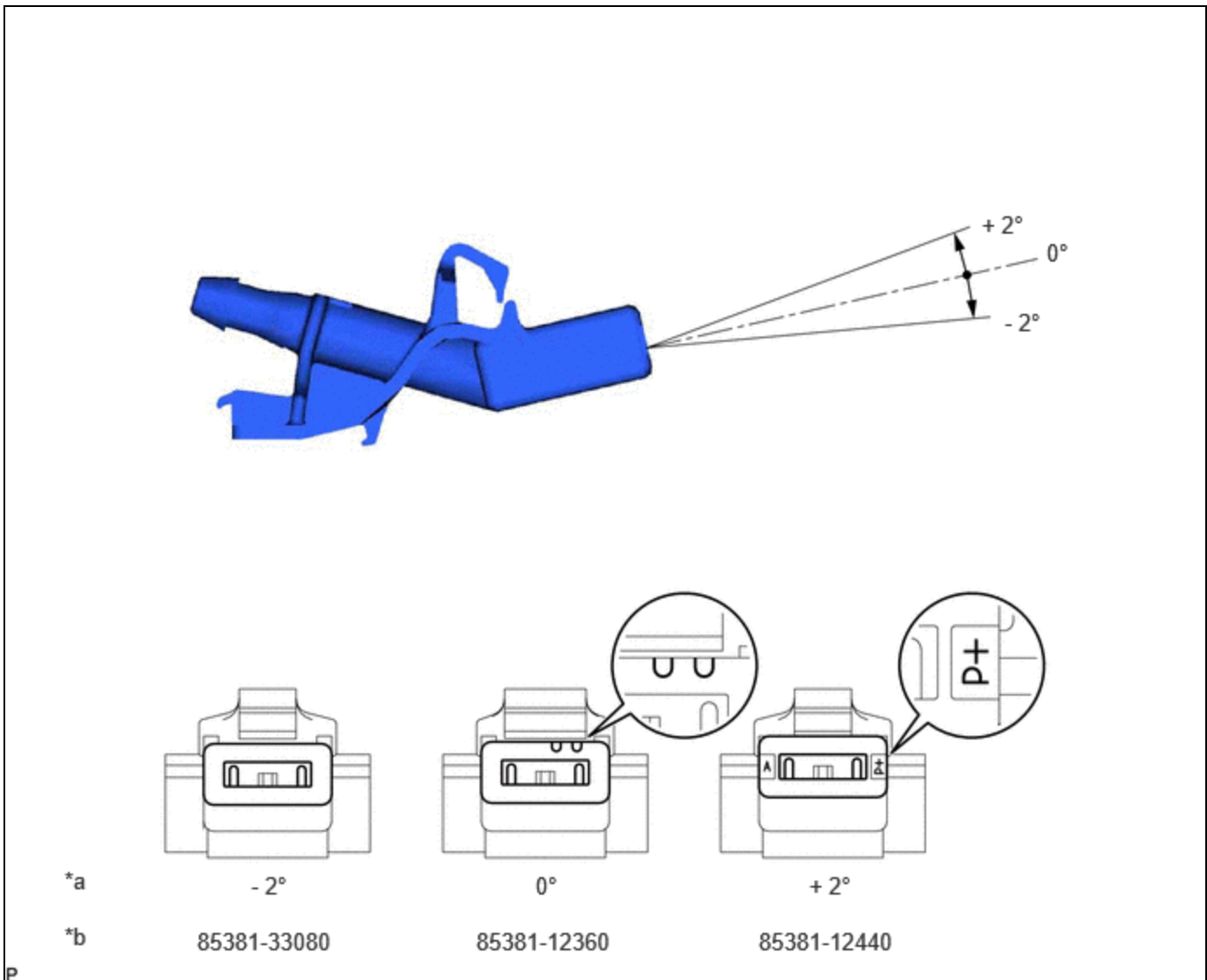
PROCEDURE

1. REMOVE WASHER NOZZLE SUB-ASSEMBLY

Click here [INFO](#)

2. ADJUST WASHER NOZZLE SUB-ASSEMBLY

(a) Select a washer nozzle sub-assembly so that the position the washer fluid hits the windshield will be within the standard area. Replace the washer nozzle sub-assembly with the selected one.



*a	Washer Fluid Spray Angle	*b	Part Number
----	--------------------------	----	-------------

3. INSTALL WASHER NOZZLE SUB-ASSEMBLY

Click here 

