

Last Modified: 12-04-2024	6.11:8.1.0	Doc ID: RM100000002BLBX
Model Year Start: 2023	Model: Prius Prime	Prod Date Range: [03/2023 -]
Title: WINDOW / GLASS: ROOF WINDOW FIX GLASS: REMOVAL; 2023 - 2024 MY Prius Prius Prime [03/2023 -]		

REMOVAL

CAUTION / NOTICE / HINT

The necessary procedures (adjustment, calibration, initialization, or registration) that must be performed after parts are removed and installed, or replaced during No. 1 roof window glass sub-assembly removal/installation are shown below.

CAUTION / NOTICE / HINT

NOTICE:

- When disconnecting a wire harness of any component connected to the supply power of the integrated capacitor (integration control supply) or when removing the integrated capacitor (integration control supply), make sure to wait 5 minutes or more after turning the ignition switch off for self-diagnosis to complete and the voltage of the integrated capacitor (integration control supply) to discharge. (for Driver Side)
- After the ignition switch is turned off, the radio and display receiver assembly records various types of memory and settings. As a result, after turning the ignition switch off, make sure to wait at least 3 minutes before disconnecting the cable from the negative (-) auxiliary battery terminal.

Click here [INFO](#)

- When the cable is disconnected from the negative (-) auxiliary battery terminal and the security lock setting has been enabled, multi-display operations will be disabled upon next startup unless the password is entered. Be sure to check the security lock setting before disconnecting the cable from the negative (-) auxiliary battery terminal.

CAUTION / NOTICE / HINT

HINT:

When the cable is disconnected / reconnected to the auxiliary battery terminal, systems temporarily stop operating. However, each system has a function that completes learning the first time the system is used.

Learning completes when vehicle is driven

EFFECT/INOPERATIVE FUNCTION WHEN NECESSARY PROCEDURES ARE NOT PERFORMED	NECESSARY PROCEDURES	LINK
Front Camera System	Drive the vehicle straight ahead at 35 km/h (22 mph) or more for 5 seconds or more.	INFO

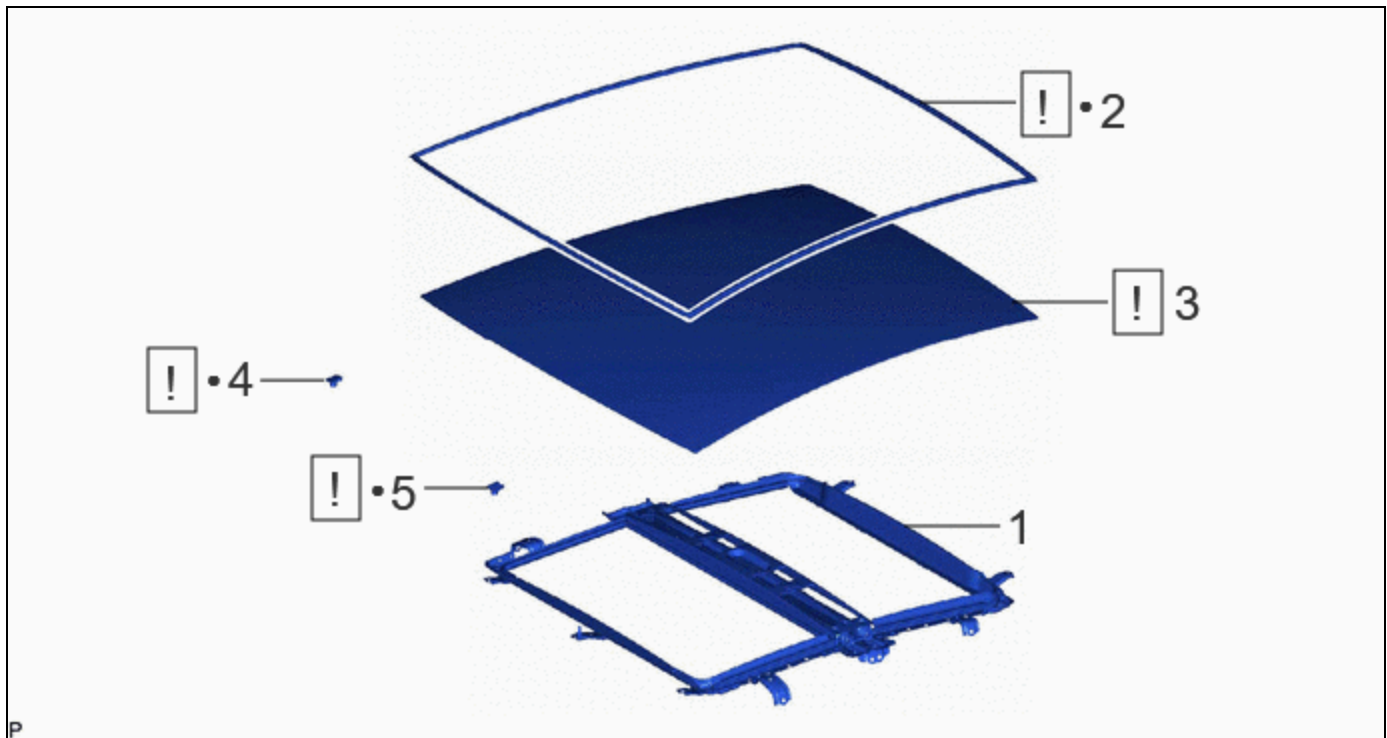
Learning completes when vehicle is operated normally

EFFECT/INOPERATIVE FUNCTION WHEN NECESSARY PROCEDURES ARE NOT PERFORMED	NECESSARY PROCEDURES	LINK
Power Door Lock Control System*1 <ul style="list-style-type: none"> Back door opener 	Perform door unlock operation with door control switch or electrical key transmitter sub-assembly switch.	INFO
*1: w/o Power Back Door System		
*2: w/ Power Back Door System		




EFFECT/INOPERATIVE FUNCTION WHEN NECESSARY PROCEDURES ARE NOT PERFORMED	NECESSARY PROCEDURES	LINK
Power Back Door System*2	Reset back door close position	INFO
Air Conditioning System	<p>for HEV Model:</p> <p>After the ignition switch is turned to ON, the servo motor standard position is recognized.</p> <p>for PHEV Model:</p> <p>After the ignition switch is turned to ON, the servo motor and expansion valve standard position is recognized.</p>	-
<p>*1: w/o Power Back Door System</p> <p>*2: w/ Power Back Door System</p>		

CAUTION / NOTICE / HINT

COMPONENTS (REMOVAL)



	PROCEDURE	PART NAME CODE	!	📄	⚙️
1	SUNSHADE HOUSING ASSEMBLY	63250H	-	-	-
2	ROOF WINDOW UPPER MOULDING	63215A	INFO	-	-
3	NO. 1 ROOF WINDOW GLASS SUB-ASSEMBLY	-	INFO	-	-

	PROCEDURE	PART NAME CODE			
4	ROOF WINDOW LOWER CLIP	63227M	INFO	-	-
5	ROOF WINDOW SIDE CLIP	63228N	INFO	-	-

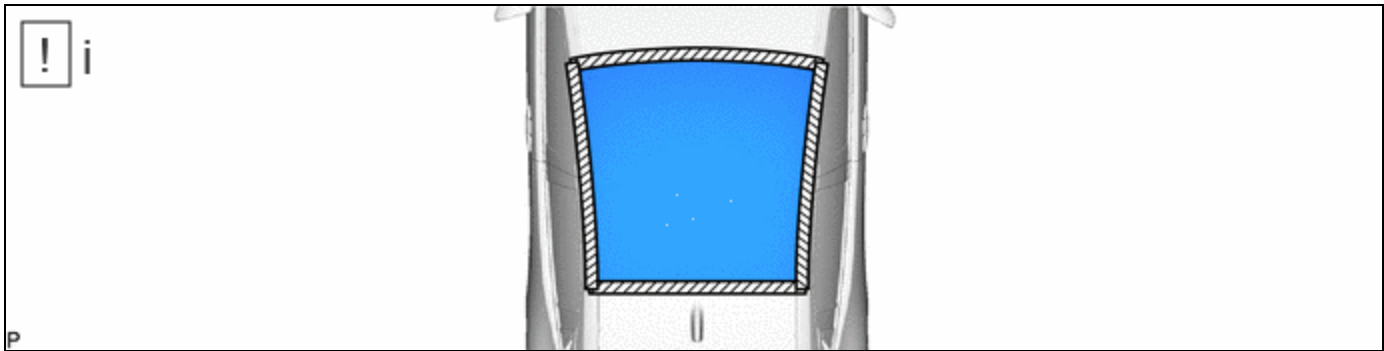
•	Non-reusable part	-	-
---	-------------------	---	---


PROCEDURE

1. REMOVE SUNSHADE HOUSING ASSEMBLY

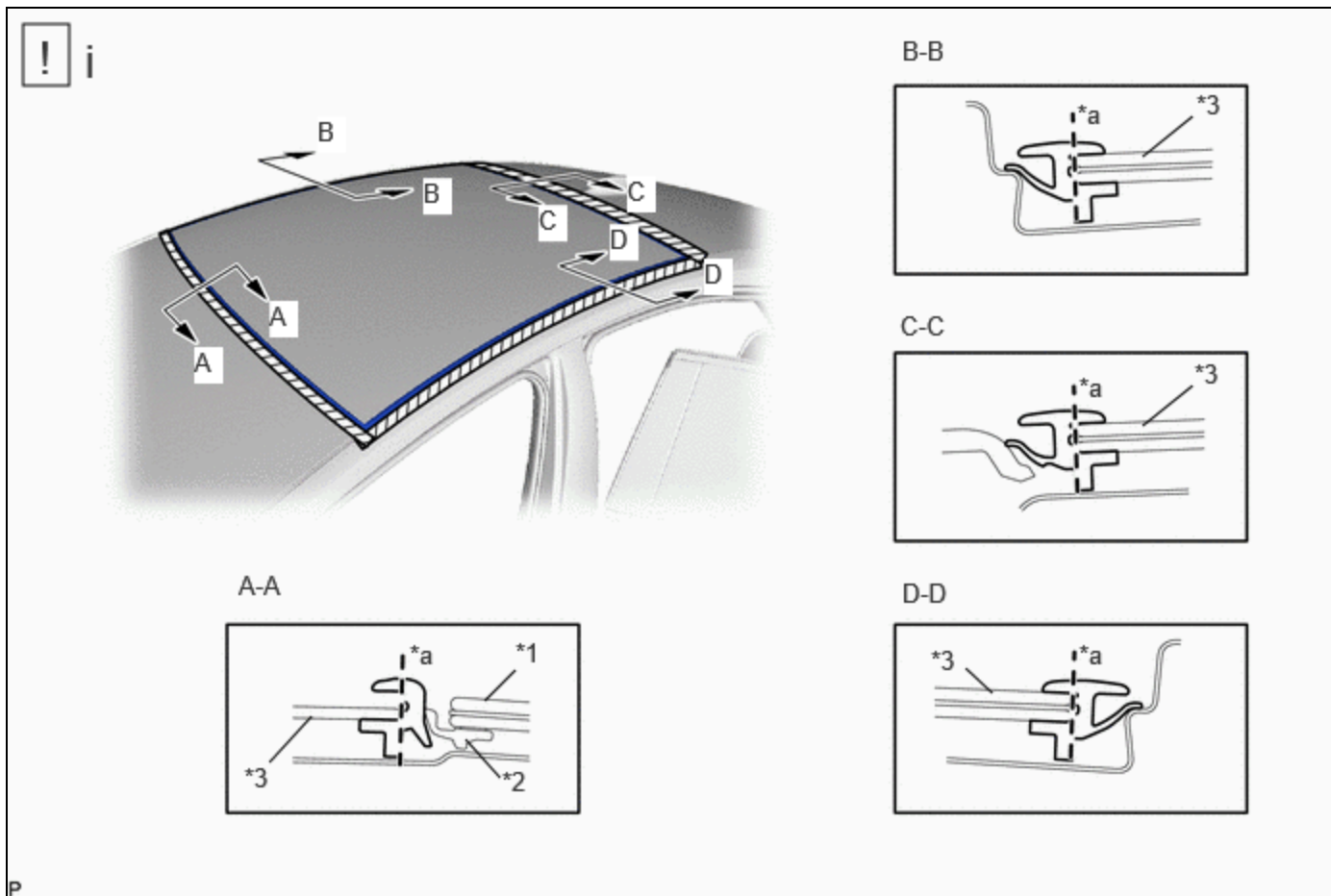
Click here [INFO](#)

2. REMOVE ROOF WINDOW UPPER MOULDING



	Protective Tape	-	-
---	-----------------	---	---

(1) Apply protective tape to the area around the installation position of the No. 1 roof window glass sub-assembly on the vehicle body to prevent it from being scratched.



*1	Windshield Glass	*2	Windshield Outside Moulding
*3	No. 1 Roof Window Glass Sub-assembly	-	-
*a	Cut	-	-

(1) Using a knife, cut off the roof window upper moulding as shown in the illustration.

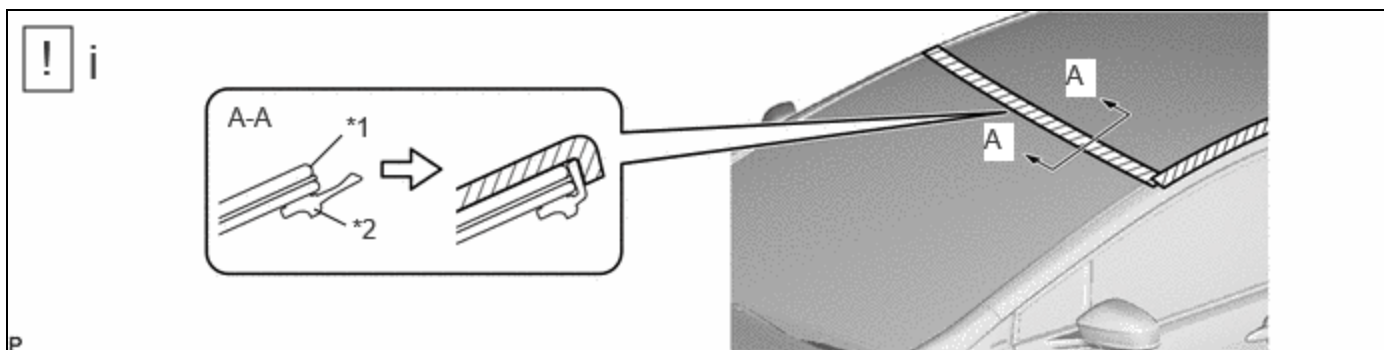
NOTICE:


Be careful not to damage the No. 1 roof window glass sub-assembly, windshield outside moulding and vehicle body.

3. REMOVE NO. 1 ROOF WINDOW GLASS SUB-ASSEMBLY

NOTICE:

- To prevent the No. 1 roof window glass sub-assembly from falling when performing this operation, be sure to hold the windshield glass using suction cups from outside of the vehicle.
- Depending on the condition or location to be cut, use a windshield knife or piano wire.



*1	Windshield Glass	*2	Windshield Outside Moulding
	Protective Tape	-	-

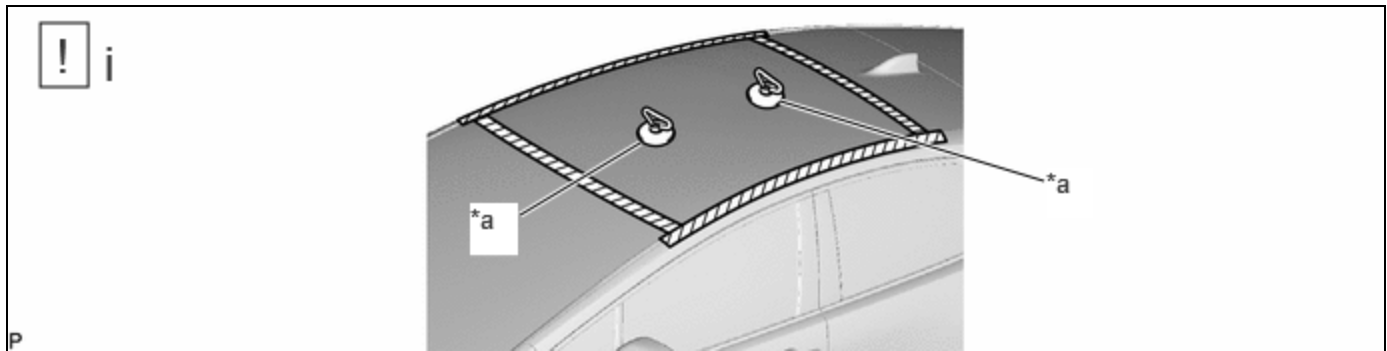
(1) Pull back the windshield outside moulding and secure it with tape as shown in the illustration.

NOTICE:

Be careful not to damage the windshield outside moulding.

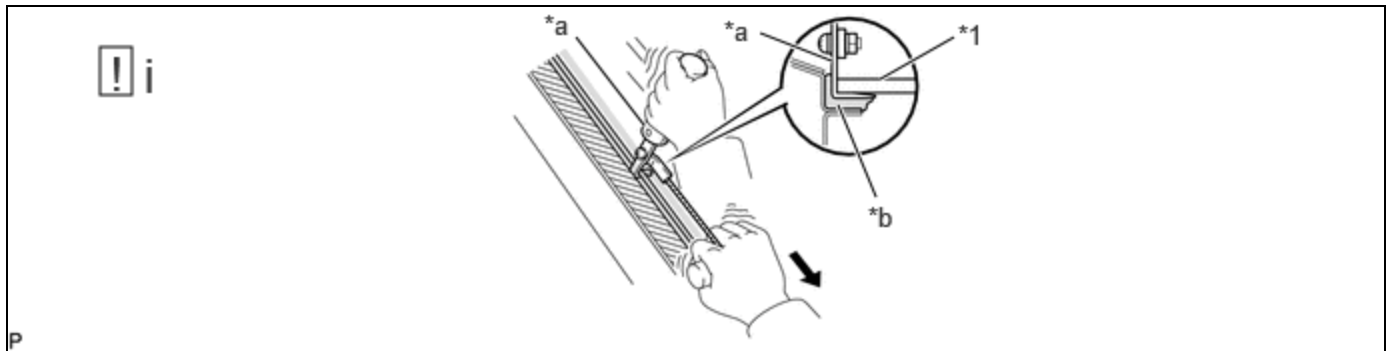
HINT:


- Use wide tape to ensure strong enough adhesion.
- Use non-residue tape.
- If necessary, clean the windshield outside moulding before securing it with tape.



*a	Suction Cup	-	-
----	-------------	---	---

(1) Install the 2 suction cups to the No. 1 roof window glass sub-assembly.



*1	Back Door Glass	-	-
*a	Windshield Knife	*b	Adhesive
	Pull	-	-

(1) When using a windshield knife:

1. Apply soapy water to the area around the adhesive.
2. Insert a windshield knife into the adhesive between the back door glass and vehicle body.
3. While keeping the windshield knife perpendicular to the outer surface of the back door glass, cut the adhesive by pulling the windshield knife around the back door glass.

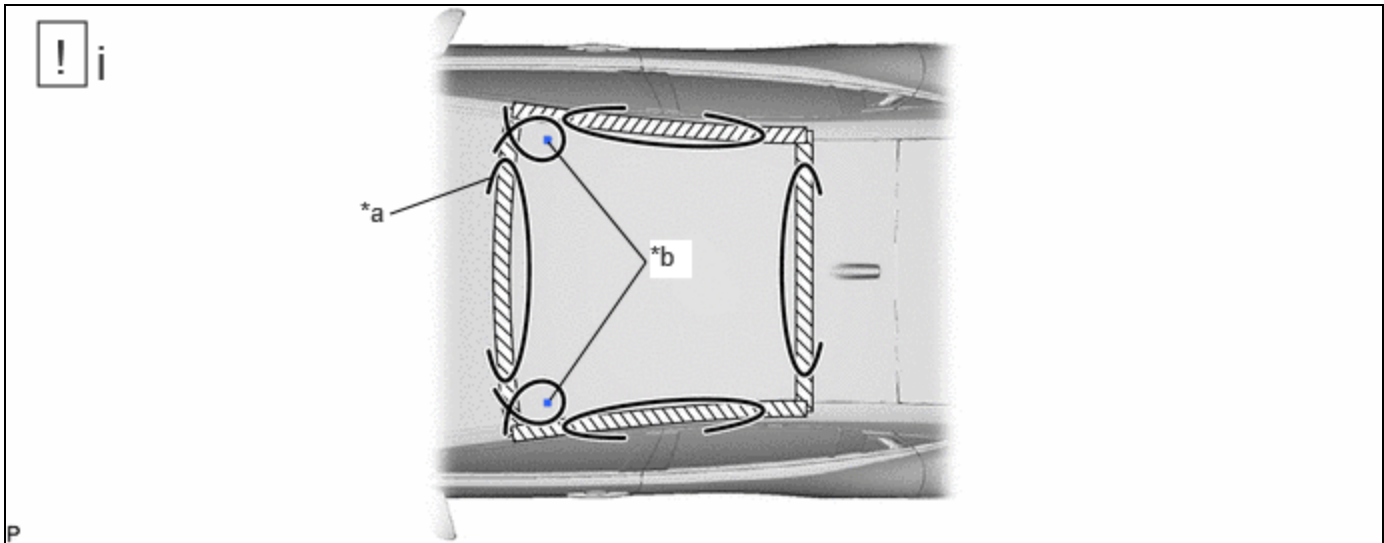
NOTICE:

- Do not pry the back door glass with the windshield knife.
- Do not use a windshield knife to cut the adhesive on the lower side of the back door glass.

- When separating the back door glass, be careful not to damage the paint or interior and exterior ornaments.

HINT:

Insert the windshield knife in an area where the gap between back door glass and vehicle body is large.



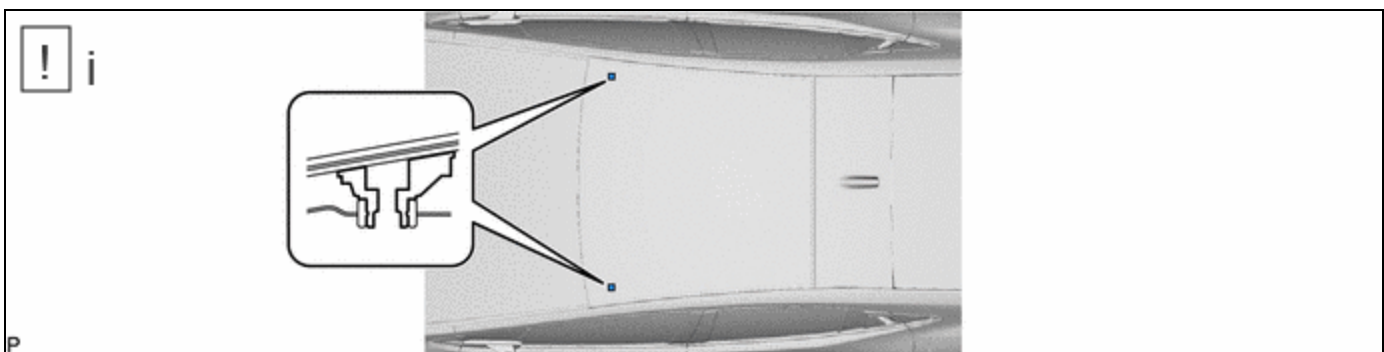
*a	Piano Wire	*b	Clip
----	------------	----	------

(1) Using piano wire, pass a piano wire between the vehicle body and No. 1 roof window glass sub-assembly from the interior.

1. Tie both wire ends to wooden blocks or similar objects that can serve as handles.
2. Cut off the adhesive by pulling the piano wire as shown in the illustration.

NOTICE:

- When separating the No. 1 roof window glass sub-assembly, be careful not to damage the paint or interior and exterior ornaments.
- When cutting the adhesive, take care not to damage the harness on the No. 1 roof window glass sub-assembly.



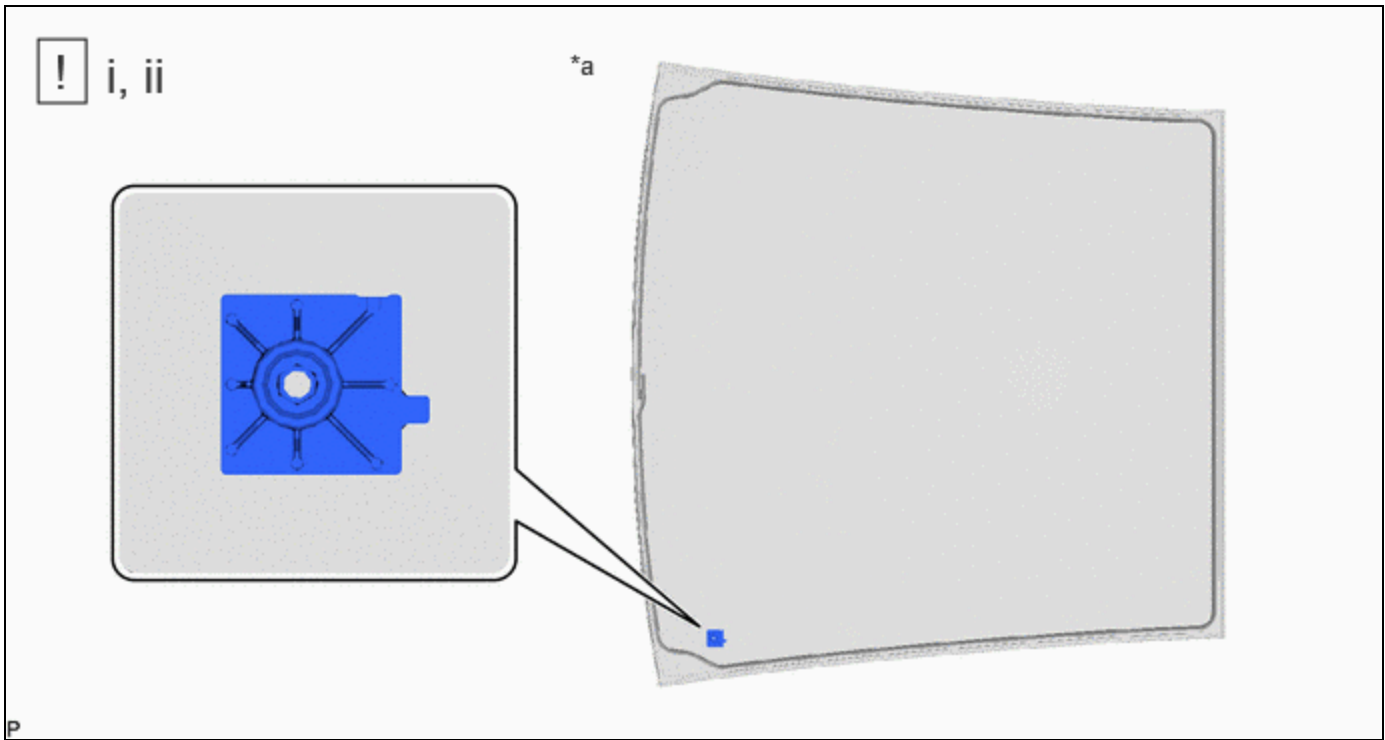
(1) Using 2 suction cups, remove the No. 1 roof window glass sub-assembly.


NOTICE:

- Be careful not to drop the No. 1 roof window glass sub-assembly.
- Leave as much adhesive on the vehicle body as possible when removing the No. 1 roof window glass sub-assembly.

4. REMOVE ROOF WINDOW LOWER CLIP

(a) When reusing the No. 1 roof window glass sub-assembly:



*a	Back Side	-	-
	Adhesive Tape	-	-

- (1) Apply adhesive tape to the area around the installation position of the roof window lower clip on the No. 1 roof window glass sub-assembly.
- (2) Using a scraper, remove the roof window lower clip.

NOTICE:

- Be careful not to damage the No. 1 roof window glass sub-assembly.
- Be sure to replace the roof window lower clip.

5. REMOVE ROOF WINDOW SIDE CLIP

HINT:

Use the same procedure as for the roof window lower clip.

