

Last Modified: 12-04-2024	6.11:8.1.0	Doc ID: RM10000000290D3
Model Year Start: 2023	Model: Prius Prime	Prod Date Range: [12/2022 -]
Title: WINDOW / GLASS: REAR POWER WINDOW SWITCH: REMOVAL; 2023 - 2024 MY Prius Prius Prime [12/2022 -]		

REMOVAL

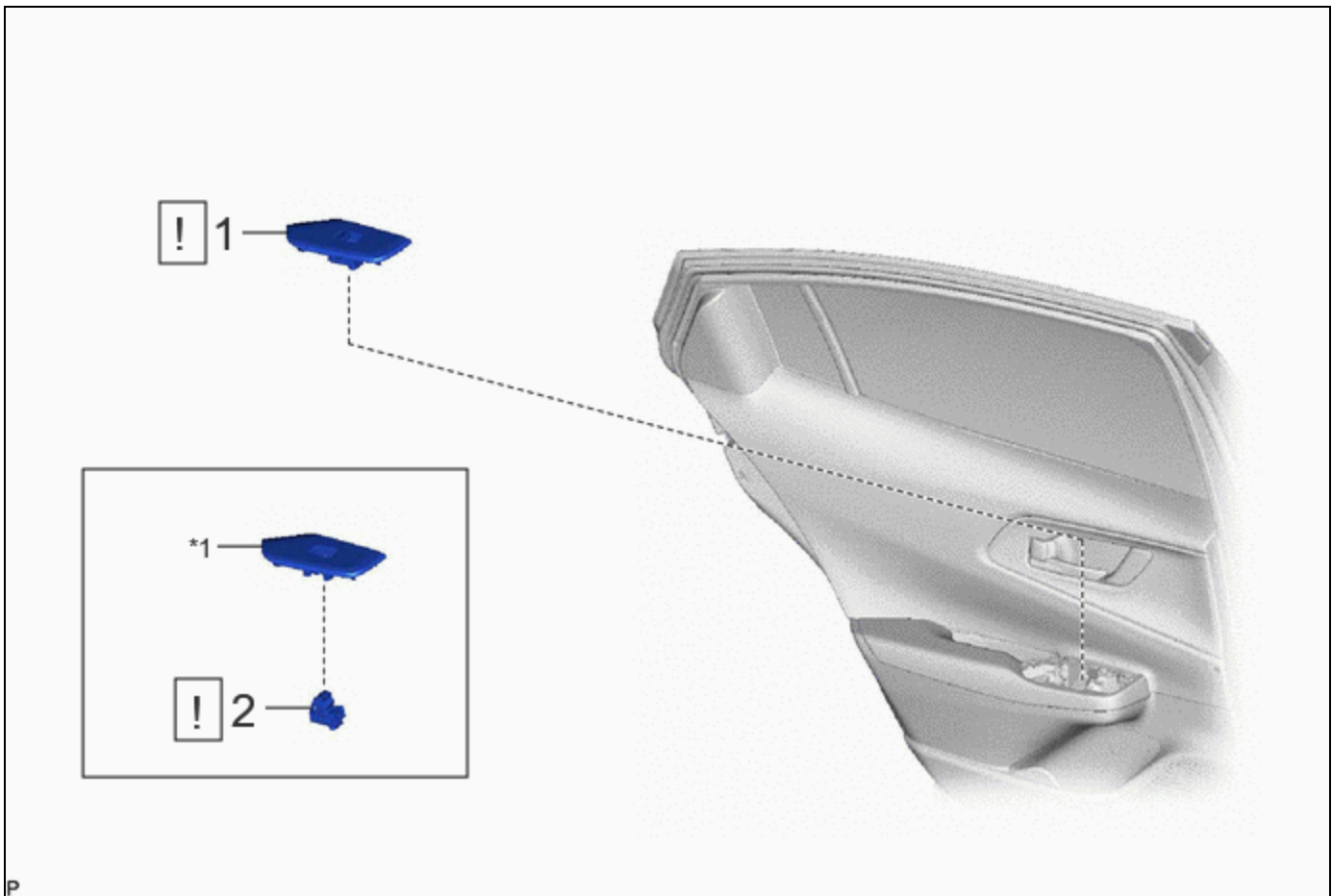
CAUTION / NOTICE / HINT

HINT:




- Use the same procedure for the RH side and LH side.
- The following procedure is for the LH side.

CAUTION / NOTICE / HINT

COMPONENTS (REMOVAL)




PROCEDURE		PART NAME CODE			
1	REAR POWER WINDOW REGULATOR SWITCH ASSEMBLY WITH REAR DOOR ARMREST BASE PANEL	-	INFO	-	-

PROCEDURE		PART NAME CODE			
2	REAR POWER WINDOW REGULATOR SWITCH ASSEMBLY	84810D	INFO	-	-

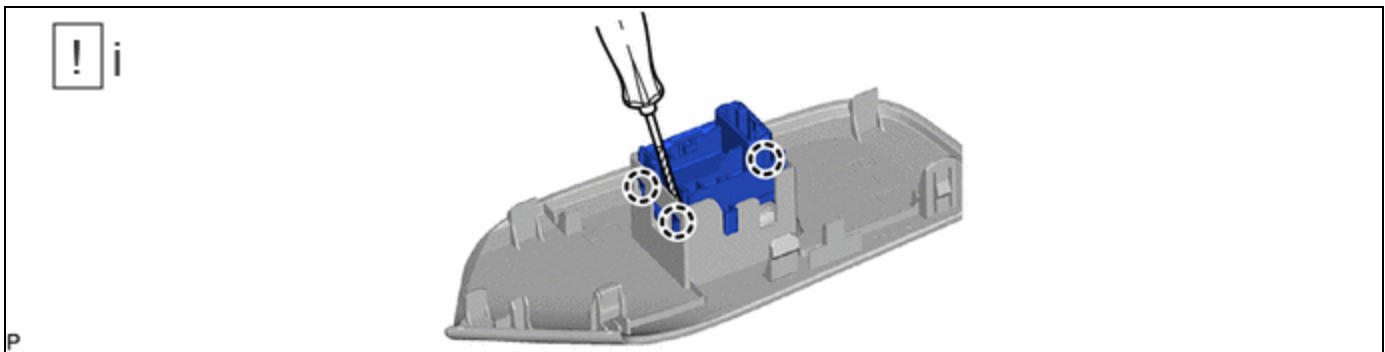
*1	REAR DOOR ARMREST BASE PANEL	-	-
----	------------------------------	---	---

PROCEDURE

1. REMOVE REAR POWER WINDOW REGULATOR SWITCH ASSEMBLY WITH REAR DOOR ARMREST BASE PANEL

	Click here INFO
---	---------------------------------

2. REMOVE REAR POWER WINDOW REGULATOR SWITCH ASSEMBLY



(1) Using a screwdriver with its tip wrapped with protective tape, disengage the 3 claws to remove the rear power window regulator switch assembly.

