

<b>Last Modified:</b> 12-04-2024	6.11:8.1.0	<b>Doc ID:</b> RM1000000029OD4
<b>Model Year Start:</b> 2023	<b>Model:</b> Prius Prime	<b>Prod Date Range:</b> [12/2022 - ]
<b>Title:</b> WINDOW / GLASS: REAR POWER WINDOW SWITCH: INSPECTION; 2023 - 2024 MY Prius Prius Prime [12/2022 - ]		

## INSPECTION

### PROCEDURE

#### 1. INSPECT REAR POWER WINDOW REGULATOR SWITCH ASSEMBLY (for LH/RH DOOR)

(a) Check the switch function.

(1) Measure the resistance according to the value(s) in the table below.

Standard Resistance:



[Click Location & Routing\(M3\)](#)

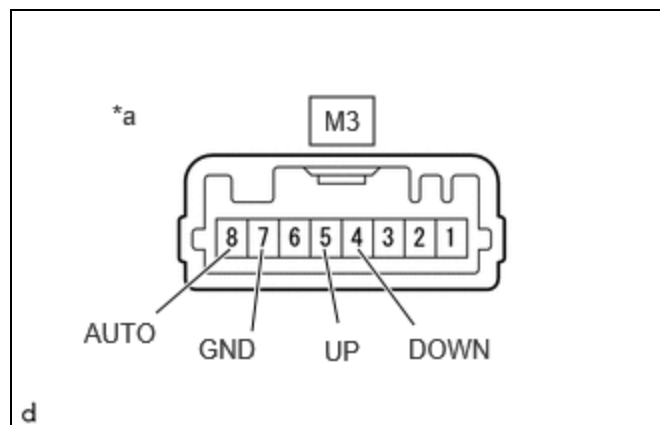
[Click Connector\(M3\)](#)

TESTER CONNECTION	CONDITION	SPECIFIED CONDITION	RESULT
M3-5 (UP) - M3-7 (GND)	Auto up or manual up position	Below 100 $\Omega$	$\Omega$
M3-4 (DOWN) - M3-7 (GND)	Auto down or manual down position	Below 100 $\Omega$	$\Omega$
M3-8 (AUTO) - M3-7 (GND)	Auto up or auto down position	Below 100 $\Omega$	$\Omega$
M3-5 (UP) - M3-7 (GND)	Off	10 k $\Omega$ or higher	k $\Omega$
M3-4 (DOWN) - M3-7 (GND)	Off	10 k $\Omega$ or higher	k $\Omega$
M3-8 (AUTO) - M3-7 (GND)	Off	10 k $\Omega$ or higher	k $\Omega$

If the result is not as specified, replace the rear power window regulator switch assembly (for LH/RH door).

(b) Check that the LED illuminates.

(1) Apply auxiliary battery voltage to the power window regulator switch assembly and check that the LED illuminates.

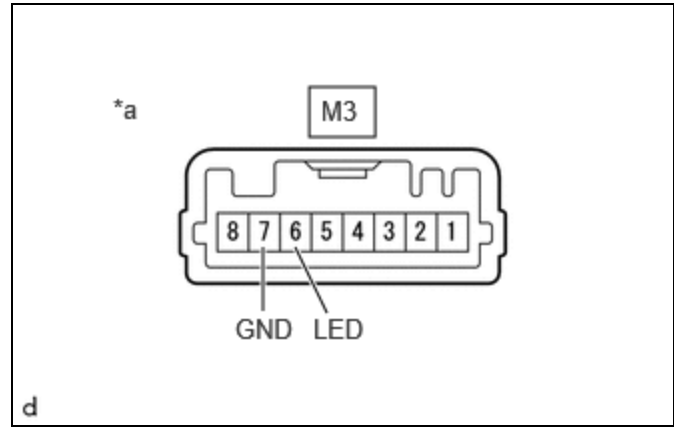


*a	Component without harness connected (Rear Power Window Regulator Switch Assembly (for LH/RH Door))
----	--

OK:

BATTERY CONNECTION	SPECIFIED CONDITION
Auxiliary battery positive (+) → M3-6 (LED)	LED illuminates
Auxiliary battery negative (-) → M3-7 (GND)	

If the result is not as specified, replace the rear power window regulator switch assembly (for LH/RH door).



*a	Component without harness connected (Rear Power Window Regulator Switch Assembly (for LH/RH Door))
----	--

