

Last Modified: 12-04-2024	6.11:8.1.0	Doc ID: RM1000000029021
Model Year Start: 2023	Model: Prius Prime	Prod Date Range: [12/2022 -]
Title: MIRROR (EXT): OUTER REAR VIEW MIRROR: REMOVAL; 2023 - 2024 MY Prius Prius Prime [12/2022 -]		

REMOVAL

CAUTION / NOTICE / HINT

The necessary procedures (adjustment, calibration, initialization, or registration) that must be performed after parts are removed and installed, or replaced during outer rear view mirror assembly with cover removal/installation are shown below.

Necessary Procedures After Parts Removed/Installed/Replaced

REPLACED PART OR PERFORMED PROCEDURE	NECESSARY PROCEDURES	EFFECT/INOPERATIVE FUNCTION WHEN NECESSARY PROCEDURES ARE NOT PERFORMED	LINK
<ul style="list-style-type: none"> • Side television camera assembly LH* • Side television camera assembly RH* • Outer rear view mirror assembly LH* • Outer rear view mirror assembly RH* • Parking assist light LH* • Parking assist light RH* 	Side television camera view adjustment	Parking Support Brake system	INFO
		Panoramic View Monitor System	INFO
		Advanced Park	INFO
<p>Replacement or removal and installation of 2 or more parts:</p> <ul style="list-style-type: none"> • Front television camera assembly, Radiator grille or Front bumper assembly • Rear television camera assembly • Side television camera assembly LH, Parking assist light LH or Outer rear view mirror assembly LH • Side television camera assembly RH, Parking assist light RH or Outer rear view mirror assembly RH 	Television camera view adjustment	Panoramic View Monitor System	INFO
<p>*: Even when not replacing the part, it is necessary to perform the specified necessary procedures after installation.</p>			

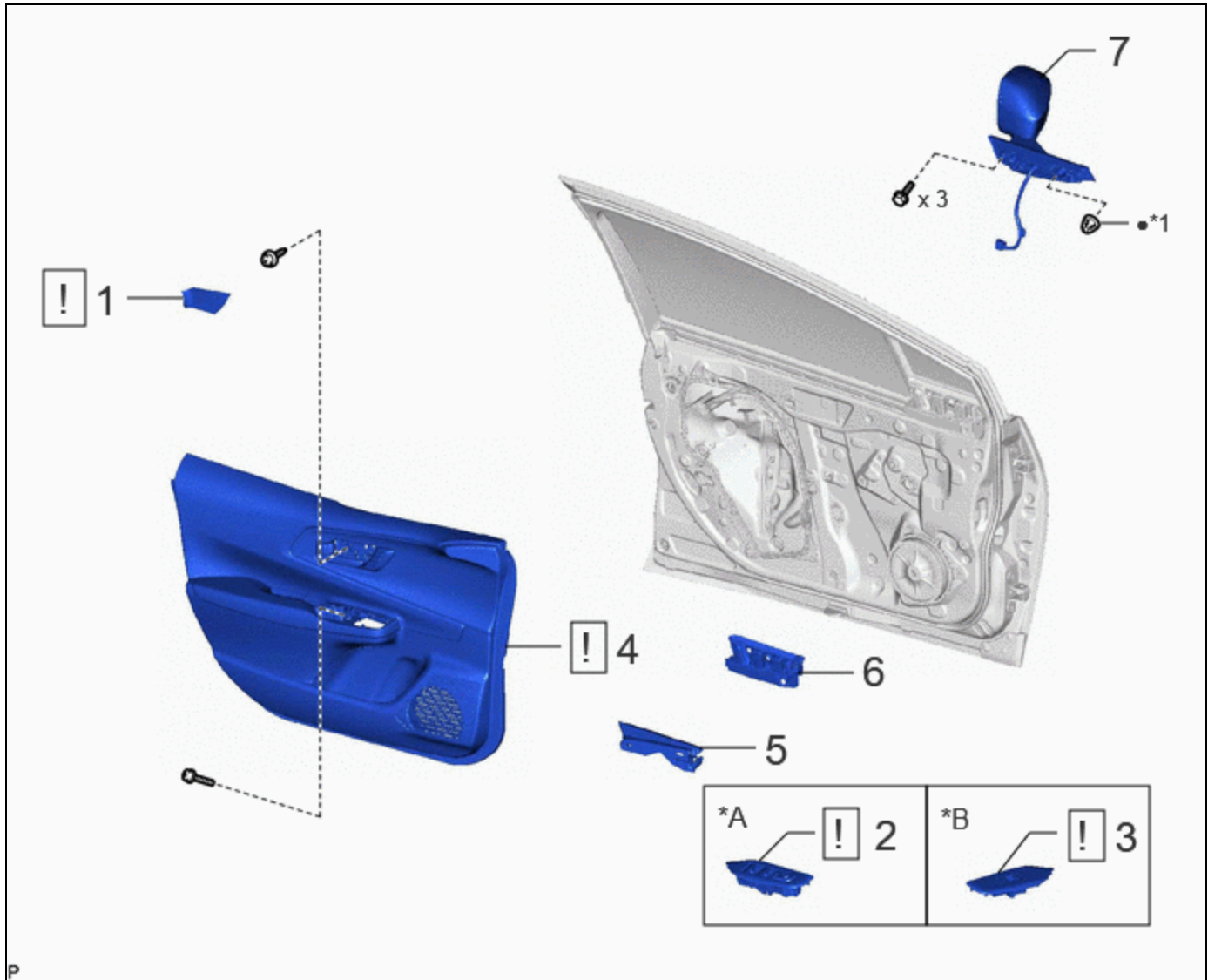
CAUTION / NOTICE / HINT

HINT:

- Use the same procedure for the RH side and LH side.
- The following procedure is for the LH side.

CAUTION / NOTICE / HINT

COMPONENTS (REMOVAL)




	PROCEDURE	PART NAME CODE			
1	FRONT DOOR TRIM UPPER COVER	67782B	INFO	-	-
2	MULTIPLEX NETWORK MASTER SWITCH ASSEMBLY WITH FRONT DOOR UPPER ARMREST BASE PANEL	-	INFO	-	-
3	POWER WINDOW REGULATOR SWITCH ASSEMBLY WITH FRONT DOOR UPPER ARMREST BASE PANEL	-	INFO	-	-
4	FRONT DOOR TRIM BOARD SUB-ASSEMBLY	67602	INFO	-	-
5	FRONT DOOR LOWER FRAME BRACKET GARNISH	67492A	-	-	-
6	NO. 3 FRONT DOOR SERVICE HOLE COVER	67836C	-	-	-

PROCEDURE		PART NAME CODE			
7	OUTER REAR VIEW MIRROR ASSEMBLY	87940	-	-	-


*A	for Driver Side	*B	for Passenger Side
*1	HOOK	-	-
•	Non-reusable part	-	-

PROCEDURE


1. REMOVE FRONT DOOR TRIM UPPER COVER

	Click here INFO
---	---------------------------------


2. REMOVE MULTIPLEX NETWORK MASTER SWITCH ASSEMBLY WITH FRONT DOOR UPPER ARMREST BASE PANEL (for Driver Side)

	Click here INFO
--	---------------------------------

3. REMOVE POWER WINDOW REGULATOR SWITCH ASSEMBLY WITH FRONT DOOR UPPER ARMREST BASE PANEL (for Passenger Side)

	Click here INFO
---	---------------------------------

4. REMOVE FRONT DOOR TRIM BOARD SUB-ASSEMBLY

	Click here INFO
---	---------------------------------

5. REMOVE FRONT DOOR LOWER FRAME BRACKET GARNISH

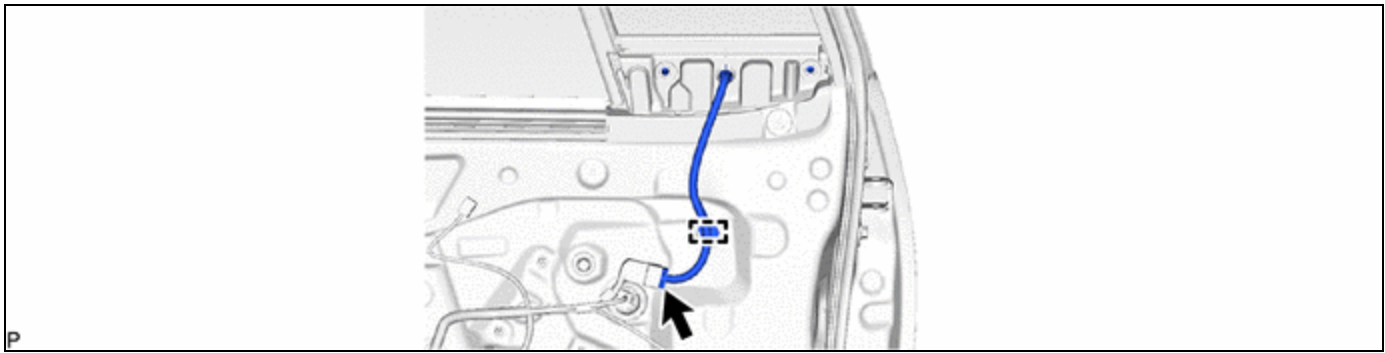
Click here [INFO](#)

6. REMOVE NO. 3 FRONT DOOR SERVICE HOLE COVER

Click here [INFO](#)

7. REMOVE OUTER REAR VIEW MIRROR ASSEMBLY

(a) w/o Panoramic View Monitor System:



(b) w/ Panoramic View Monitor System:

