

<b>Last Modified:</b> 12-04-2024	6.11:8.1.0	<b>Doc ID:</b> RM1000000029024
<b>Model Year Start:</b> 2023	<b>Model:</b> Prius Prime	<b>Prod Date Range:</b> [12/2022 - ]
<b>Title:</b> MIRROR (EXT): OUTER REAR VIEW MIRROR: REASSEMBLY; 2023 - 2024 MY Prius Prius Prime [12/2022 - ]		

## REASSEMBLY

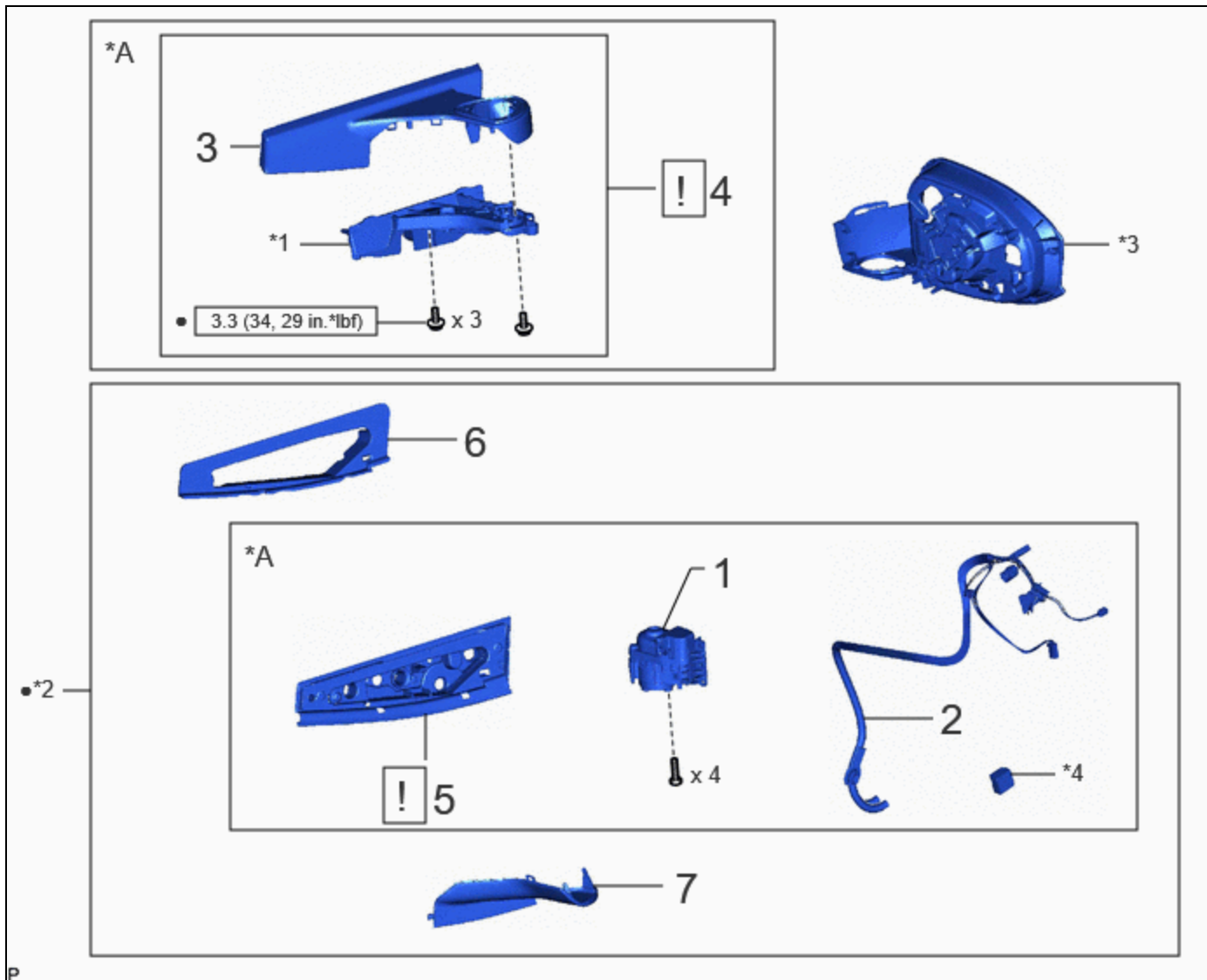
### CAUTION / NOTICE / HINT






**HINT:**


- Use the same procedure for the RH side and LH side.
- The following procedure is for the LH side.

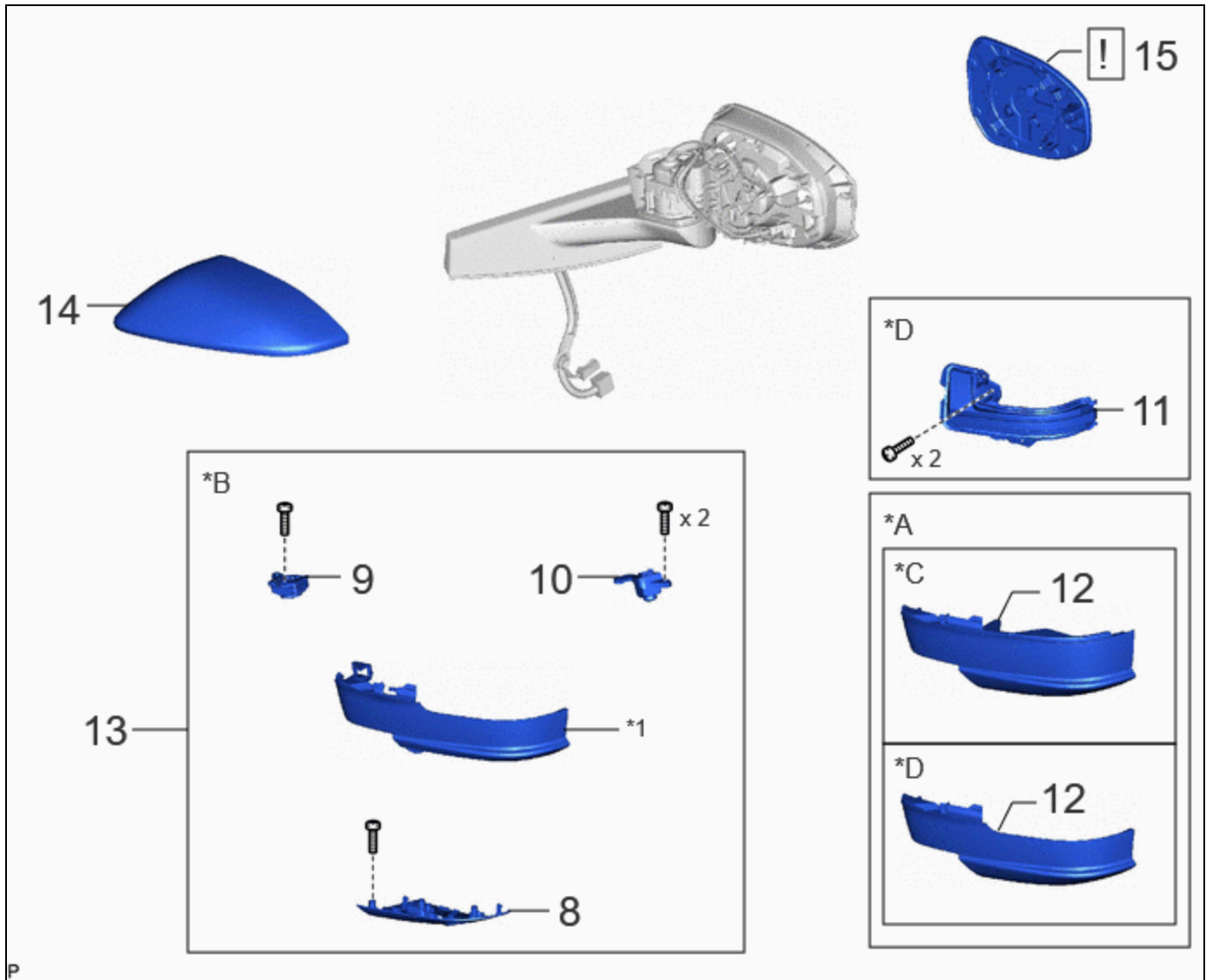
### CAUTION / NOTICE / HINT

#### COMPONENTS (REASSEMBLY)



	PROCEDURE	PART NAME CODE			
1	OUTER MIRROR RETRACTOR UNIT	-	-	-	-
2	WIRE HARNESS ASSEMBLY	-	-	-	-
3	NO. 2 OUTER MIRROR COVER	8794A	-	-	-
4	OUTER MIRROR BASE	-		-	-
5	GASKET	-		-	-
6	OUTER REAR VIEW MIRROR PACKING	87926A	-	-	-
7	LOWER BASE COVER	-	-	-	-

*A	w/ Automatic Retractable Mirror	-	-
*1	BASE	*2	OUTER MIRROR RETRACTOR
*3	HOUSING	*4	ADAPTER
	N*m (kgf*cm, ft.*lbf): Specified torque	•	Non-reusable part



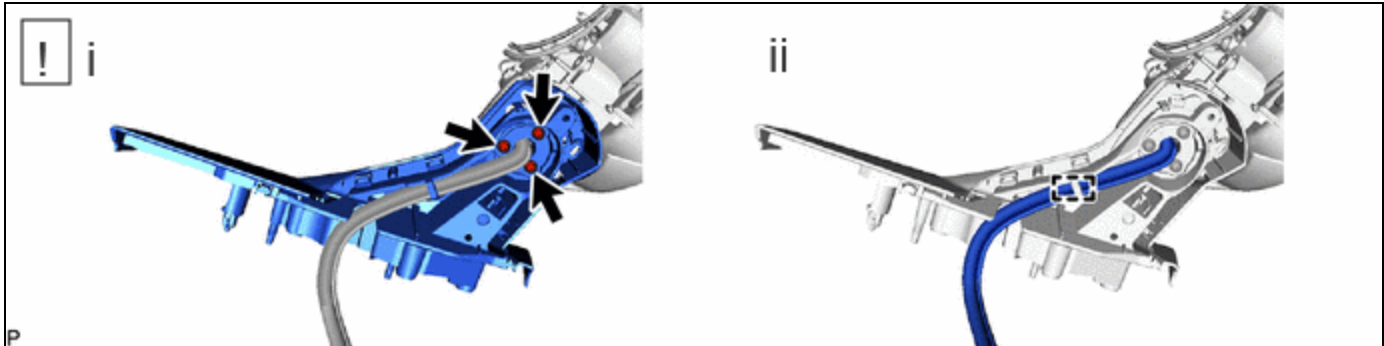
PROCEDURE		PART NAME CODE			
8	OUTER MIRROR HOLE COVER	-	-	-	-
9	PARKING ASSIST LIGHT	867A2A	-	-	-
10	SIDE TELEVISION CAMERA ASSEMBLY	86790F	-	-	-
11	SIDE TURN SIGNAL LIGHT ASSEMBLY	81740	-	-	-
12	NO. 3 OUTER MIRROR COVER	8794BA	-	-	-
13	NO. 3 OUTER MIRROR COVER WITH TELEVISION CAMERA	-	-	-	-
14	OUTER MIRROR COVER	87945	-	-	-
15	OUTER MIRROR	87961	<a href="#">INFO</a>	-	-

*A	w/o Panoramic View Monitor System	*B	w/ Panoramic View Monitor System
----	-----------------------------------	----	----------------------------------

*C	w/o Side Turn Signal Light	*D	w/ Side Turn Signal Light
*1	NO. 3 OUTER MIRROR COVER	-	-

## **PROCEDURE**

- 1. INSTALL OUTER MIRROR RETRACTOR UNIT (w/ Automatic Retractable Mirror)**
- 2. INSTALL WIRE HARNESS ASSEMBLY (w/ Automatic Retractable Mirror)**
- 3. INSTALL NO. 2 OUTER MIRROR COVER (w/ Automatic Retractable Mirror)**
- 4. INSTALL OUTER MIRROR BASE (w/ Automatic Retractable Mirror)**



(1) Using a T25 "TORX" socket wrench, install the outer mirror base with 3 new screws.

### **Torque:**

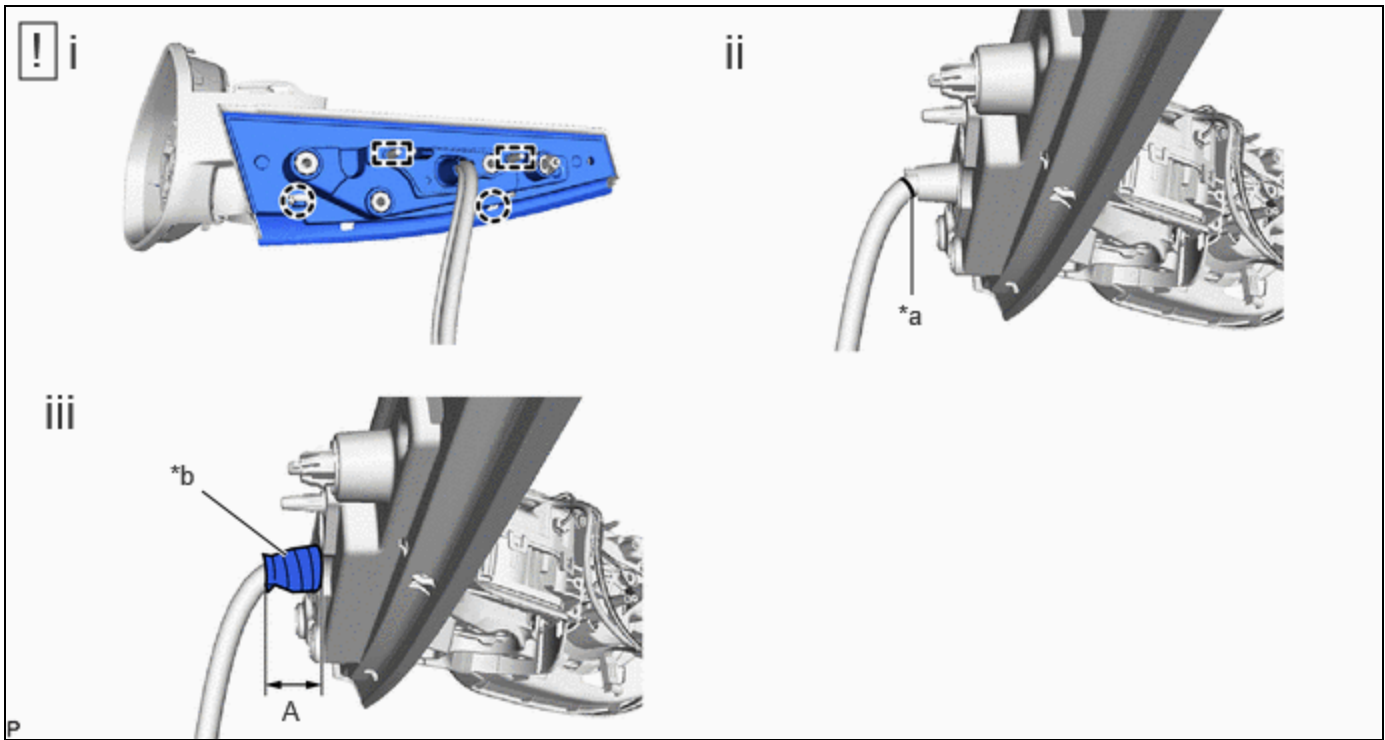
**3.3 N·m {34 kgf·cm, 29 in·lbf}**

### **NOTICE:**

- Be careful not to pinch the wire harness assembly.
- Do not damage the coating on the TORX screws.
- Make sure that the TORX screws are fully tightened.

(2) Engage the clamp.

- 5. INSTALL GASKET (w/ Automatic Retractable Mirror)**



*a	Marking	*b	Vinyl Tape
----	---------	----	------------

(1) Pass the wire harness assembly through a new gasket and engage the 2 guides and 2 claws to install the gasket.

**NOTICE:**

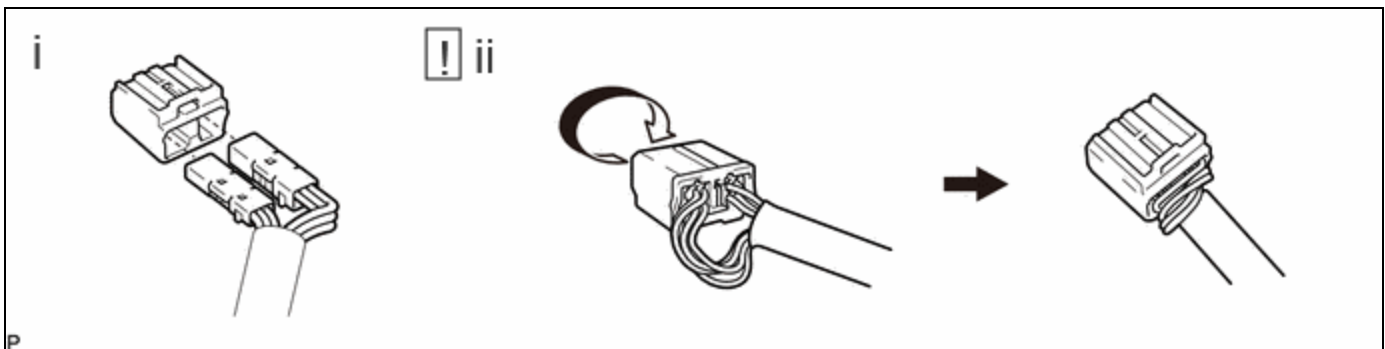
Make sure there is no clearance between the gasket and outer mirror base.

(2) Adjust the wire harness assembly so that the marking is at the position shown in the illustration.

(3) Wind vinyl tape around the wire harness assembly to secure it.

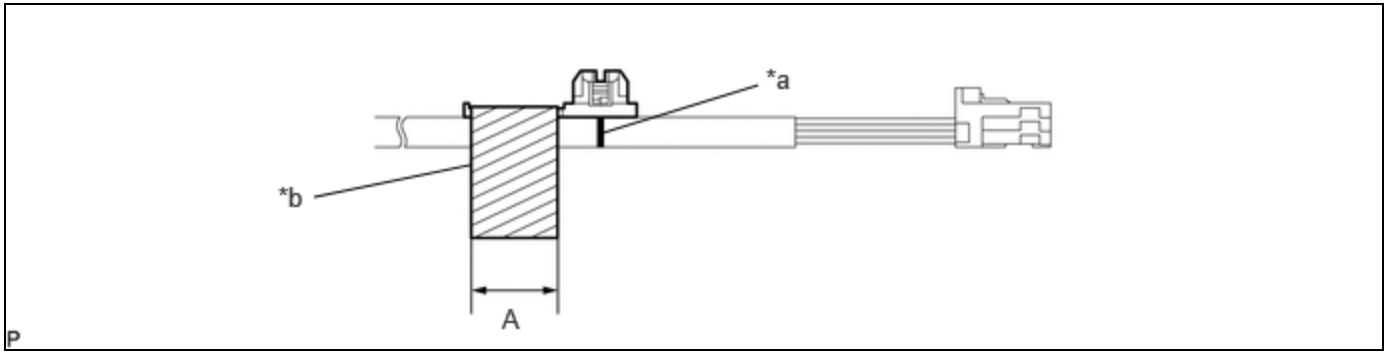
**Reference Measurement**

AREA	MEASUREMENT	AREA	MEASUREMENT
A	50 mm (1.97 in.)	-	-



(1) Connect the 2 connectors to a new adapter as shown in the illustration.

(2) Rotate the adapter to twist the wires of the wire harness as shown in the illustration.



*a	Marking	*b	Vinyl Tape
----	---------	----	------------

(1) Attach the vinyl tape as shown in the illustration.

**Reference Measurement**

AREA	MEASUREMENT	AREA	MEASUREMENT
A	19 mm (0.748 in.)	-	-

**6. INSTALL OUTER REAR VIEW MIRROR PACKING**

**7. INSTALL LOWER BASE COVER**

**8. INSTALL OUTER MIRROR HOLE COVER (w/ Panoramic View Monitor System)**

**9. INSTALL PARKING ASSIST LIGHT (w/ Panoramic View Monitor System)**

**10. INSTALL SIDE TELEVISION CAMERA ASSEMBLY (w/ Panoramic View Monitor System)**


**11. INSTALL SIDE TURN SIGNAL LIGHT ASSEMBLY (w/ Side Turn Signal Light)**

**12. INSTALL NO. 3 OUTER MIRROR COVER (w/o Panoramic View Monitor System)**

**13. INSTALL NO. 3 OUTER MIRROR COVER WITH TELEVISION CAMERA (w/ Panoramic View Monitor System)**

**14. INSTALL OUTER MIRROR COVER**

**15. INSTALL OUTER MIRROR**

	Click here <a href="#">INFO</a>
---	---------------------------------

