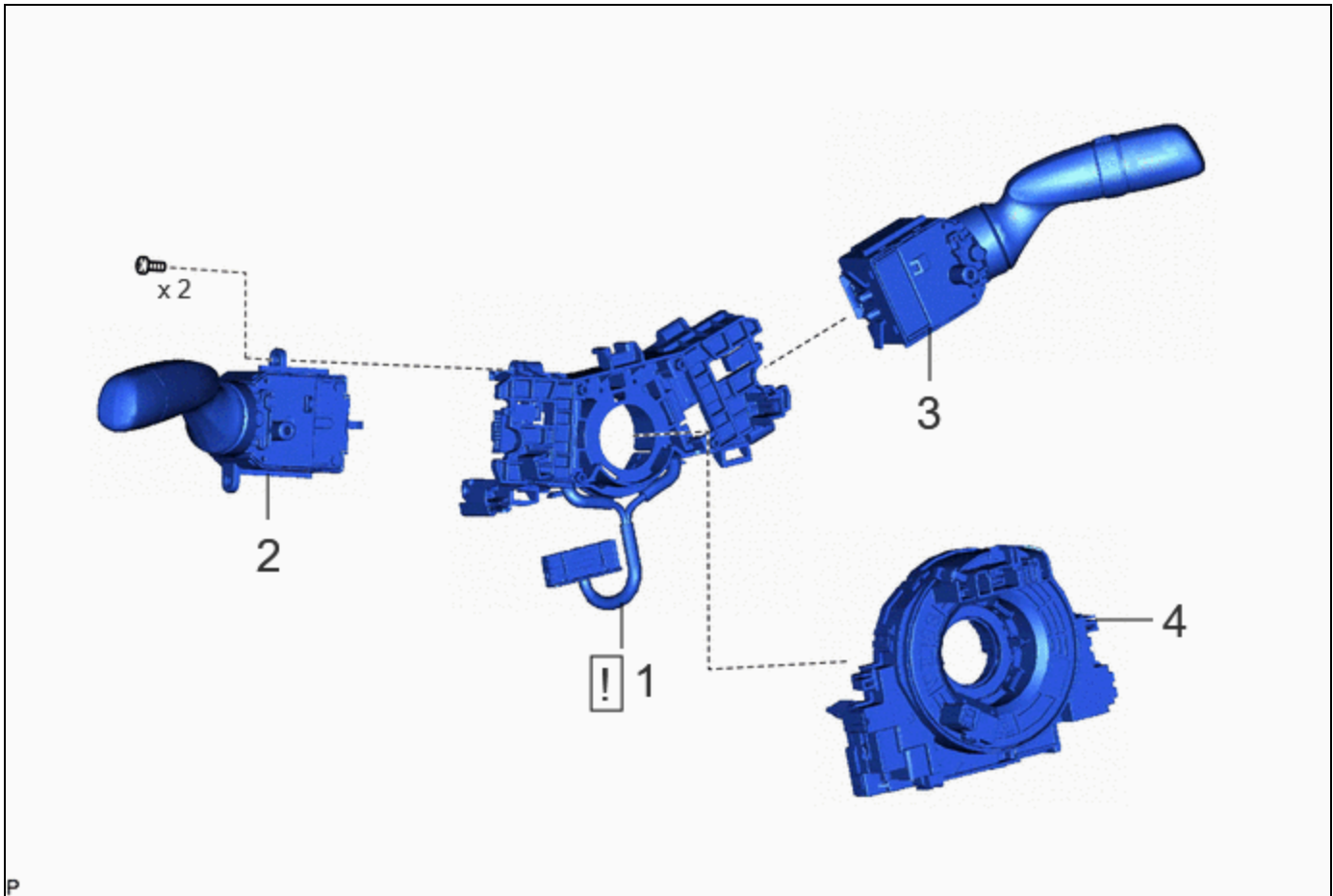


Last Modified: 12-04-2024	6.11:8.1.0	Doc ID: RM10000000292KZ
Model Year Start: 2023	Model: Prius Prime	Prod Date Range: [12/2022 -]
Title: LIGHTING (EXT): SWITCH HOUSING: INSTALLATION; 2023 - 2024 MY Prius Prius Prime [12/2022 -]		

INSTALLATION

CAUTION / NOTICE / HINT

COMPONENTS (INSTALLATION)

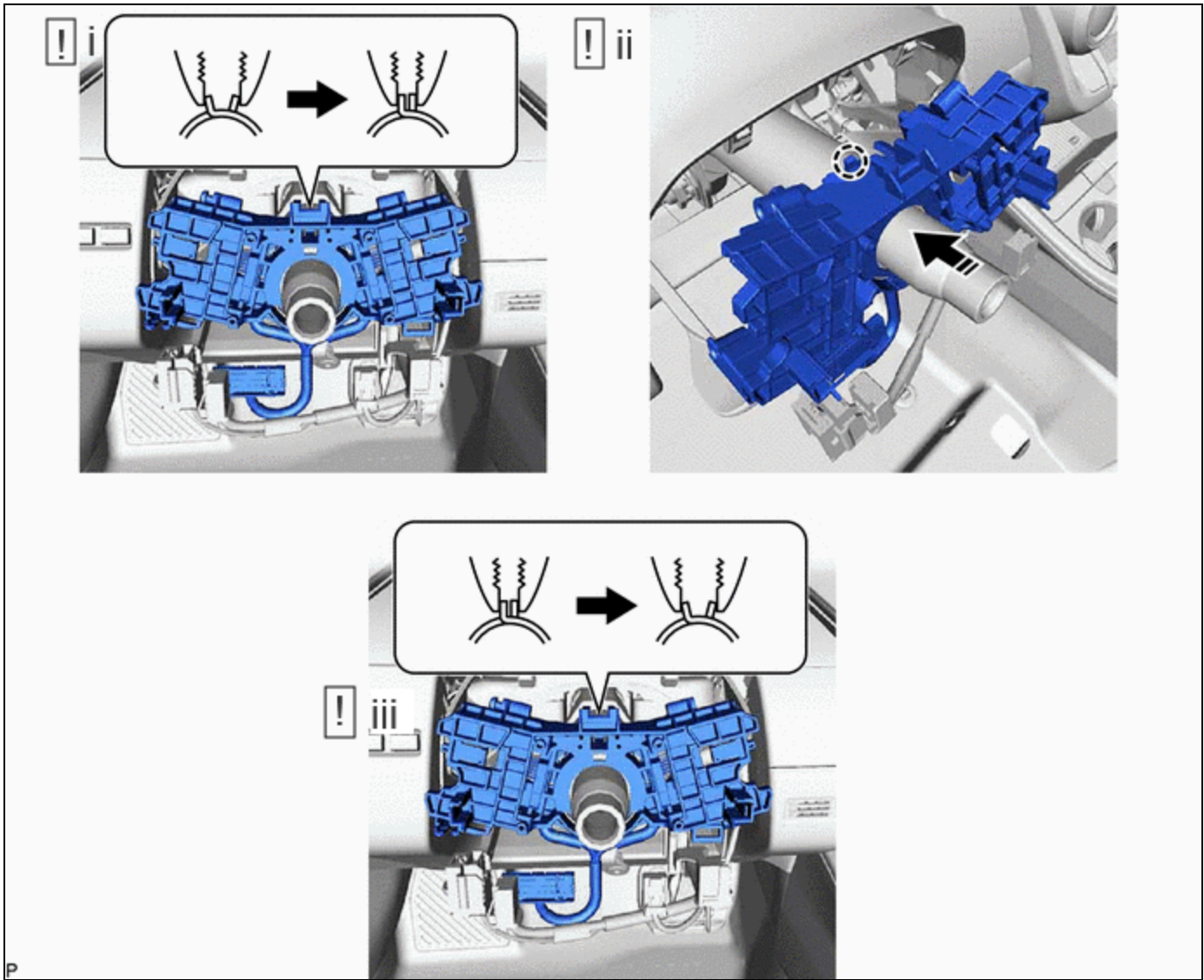



	PROCEDURE	PART NAME CODE			
1	STEERING WHEEL SWITCH HOUSING	84319	INFO	-	-
2	TURN SIGNAL SWITCH	84329	-	-	-
3	WINDSHIELD WIPER SWITCH ASSEMBLY	84650	-	-	-
4	SPIRAL CABLE WITH SENSOR SUB-ASSEMBLY	-	-	-	-

PROCEDURE

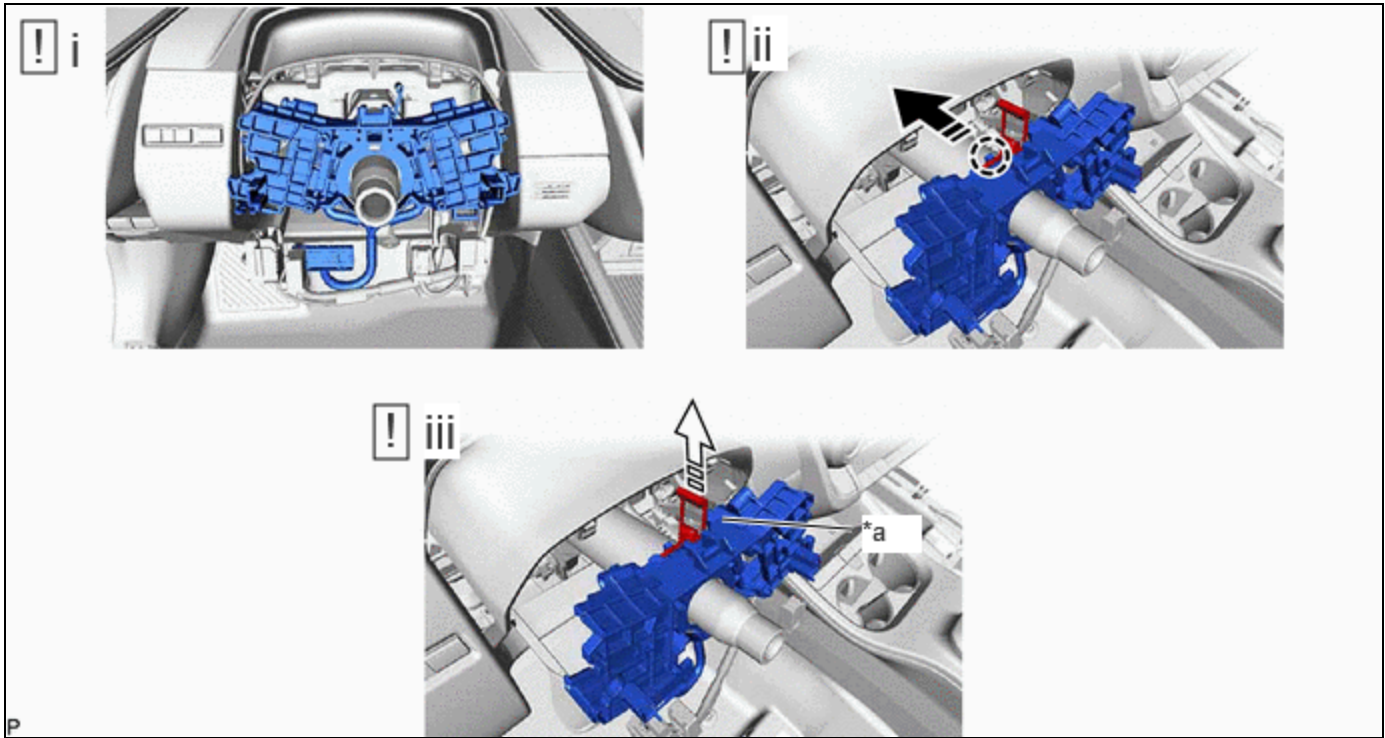
1. INSTALL STEERING WHEEL SWITCH HOUSING

(a) When reusing the steering wheel switch housing:



	Install in this Direction	-	-
---	---------------------------	---	---

- (1) Using pliers, expand the clamp and temporarily install the steering wheel switch housing as shown in the illustration.
 - (2) While holding the clamp expanded, engage the claw as shown in the illustration.
 - (3) Release the clamp to install the steering wheel switch housing as shown in the illustration.
- (b) When installing a new steering wheel switch housing:



*a	Pin	-	-
	Install in this Direction		Remove in this Direction

- (1) Temporarily install the steering wheel switch housing.
- (2) Engage the claw as shown in the illustration.
- (3) Remove the pin to install the steering wheel switch housing as shown in the illustration.

2. INSTALL TURN SIGNAL SWITCH

3. INSTALL WINDSHIELD WIPER SWITCH ASSEMBLY

4. INSTALL SPIRAL CABLE WITH SENSOR SUB-ASSEMBLY

Click here [INFO](#)

