

Last Modified: 12-04-2024	6.11:8.1.0	Doc ID: RM10000000292LE
Model Year Start: 2023	Model: Prius Prime	Prod Date Range: [12/2022 -]
Title: LIGHTING (EXT): RELAY: ON-VEHICLE INSPECTION; 2023 - 2024 MY Prius Prius Prime [12/2022 -]		

ON-VEHICLE INSPECTION

PROCEDURE

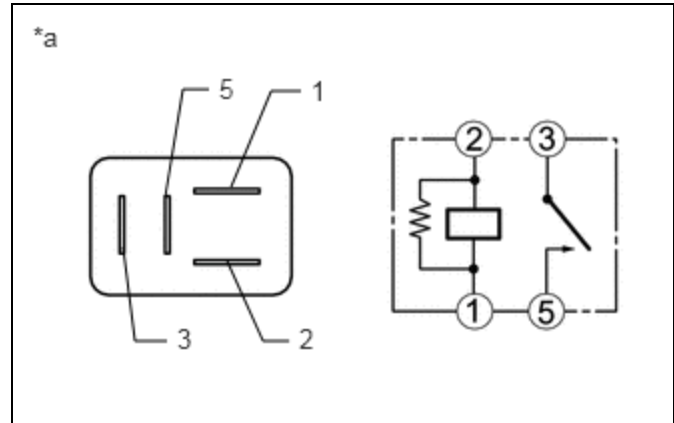
1. INSPECT HEADLIGHT RELAY LH

(a) Measure the resistance according to the value(s) in the table below.

Standard Resistance:

TESTER CONNECTION	CONDITION	SPECIFIED CONDITION	RESULT
3 - 5	Voltage not applied between terminals 1 and 2	10 kΩ or higher	kΩ
3 - 5	Voltage applied between terminals 1 and 2	Below 1 Ω	Ω

If the result is not as specified, replace the headlight relay LH.



*a Component without harness connected (Headlight Relay LH)

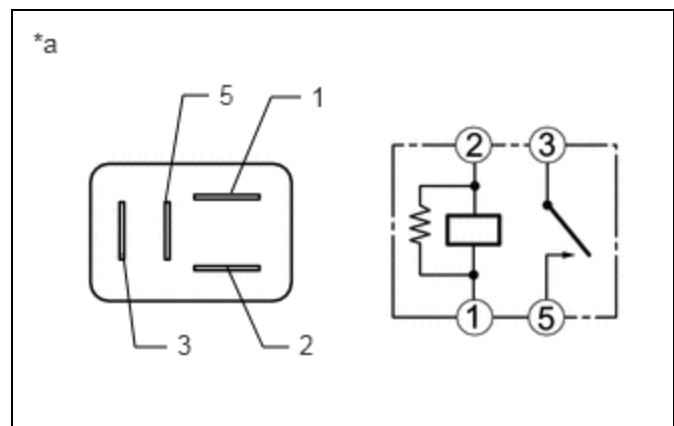
2. INSPECT HEADLIGHT RELAY RH

(a) Measure the resistance according to the value(s) in the table below.

Standard Resistance:

TESTER CONNECTION	CONDITION	SPECIFIED CONDITION	RESULT
3 - 5	Voltage not applied between terminals 1 and 2	10 kΩ or higher	kΩ
3 - 5	Voltage applied between terminals 1 and 2	Below 1 Ω	Ω

If the result is not as specified, replace the headlight relay RH.



*a Component without harness connected (Headlight Relay RH)

