

Last Modified: 12-04-2024	6.11:8.1.0	Doc ID: RM10000000292KJ
Model Year Start: 2023	Model: Prius Prime	Prod Date Range: [12/2022 -]
Title: LIGHTING (EXT): REAR LIGHT ASSEMBLY: REASSEMBLY; 2023 - 2024 MY Prius Prius Prime [12/2022 -]		

REASSEMBLY

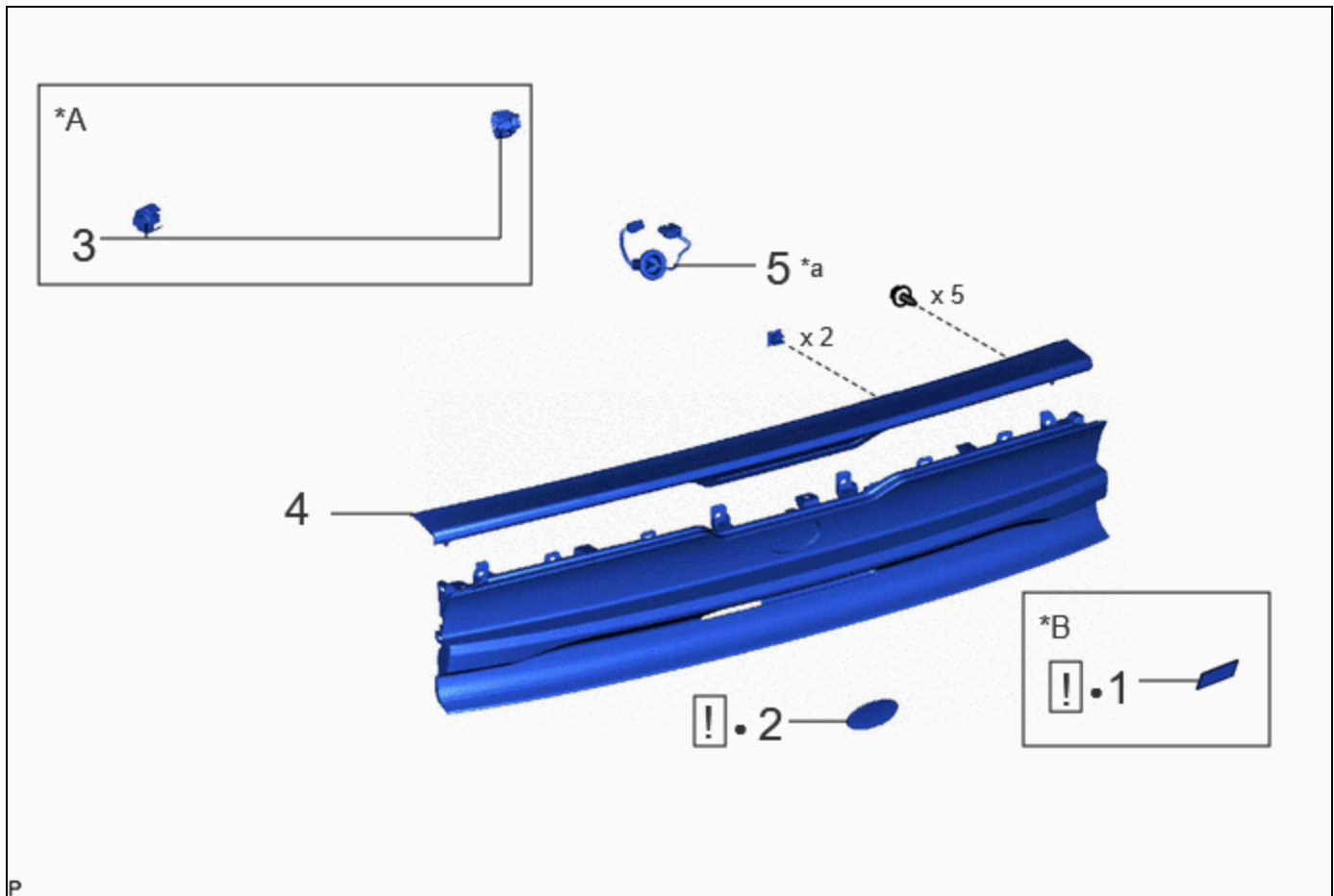
CAUTION / NOTICE / HINT

HINT:




- Use the same procedure for the RH side and LH side.
- The following procedure is for the LH side.

CAUTION / NOTICE / HINT

COMPONENTS (REASSEMBLY)




	PROCEDURE	PART NAME CODE	!	📄	⚙️
1	NO. 4 BACK DOOR NAME PLATE	75444A	INFO	-	-
2	NO. 1 BACK DOOR NAME PLATE	75431A	INFO	-	-
3	TAIL LIGHT LED	81536D	-	-	-

	PROCEDURE	PART NAME CODE			
4	CENTER STOP LIGHT ASSEMBLY	81570	-	-	-
5	CENTER STOP LIGHT CORD ASSEMBLY	81935D	-	-	-


*A	w/ Tail Light LED	*B	w/ No. 4 Back Door Emblem
*a	The illustration shown is an example only. The illustration may differ from the actual parts according to the model.	-	-
•	Non-reusable part	-	-

PROCEDURE

1. INSTALL NO. 4 BACK DOOR NAME PLATE (w/ No. 4 Back Door Emblem)

	Click here INFO
---	---------------------------------

2. INSTALL NO. 1 BACK DOOR NAME PLATE

	Click here INFO
---	---------------------------------

3. INSTALL TAIL LIGHT LED (w/ Tail Light LED)

4. INSTALL CENTER STOP LIGHT ASSEMBLY

5. INSTALL CENTER STOP LIGHT CORD ASSEMBLY

