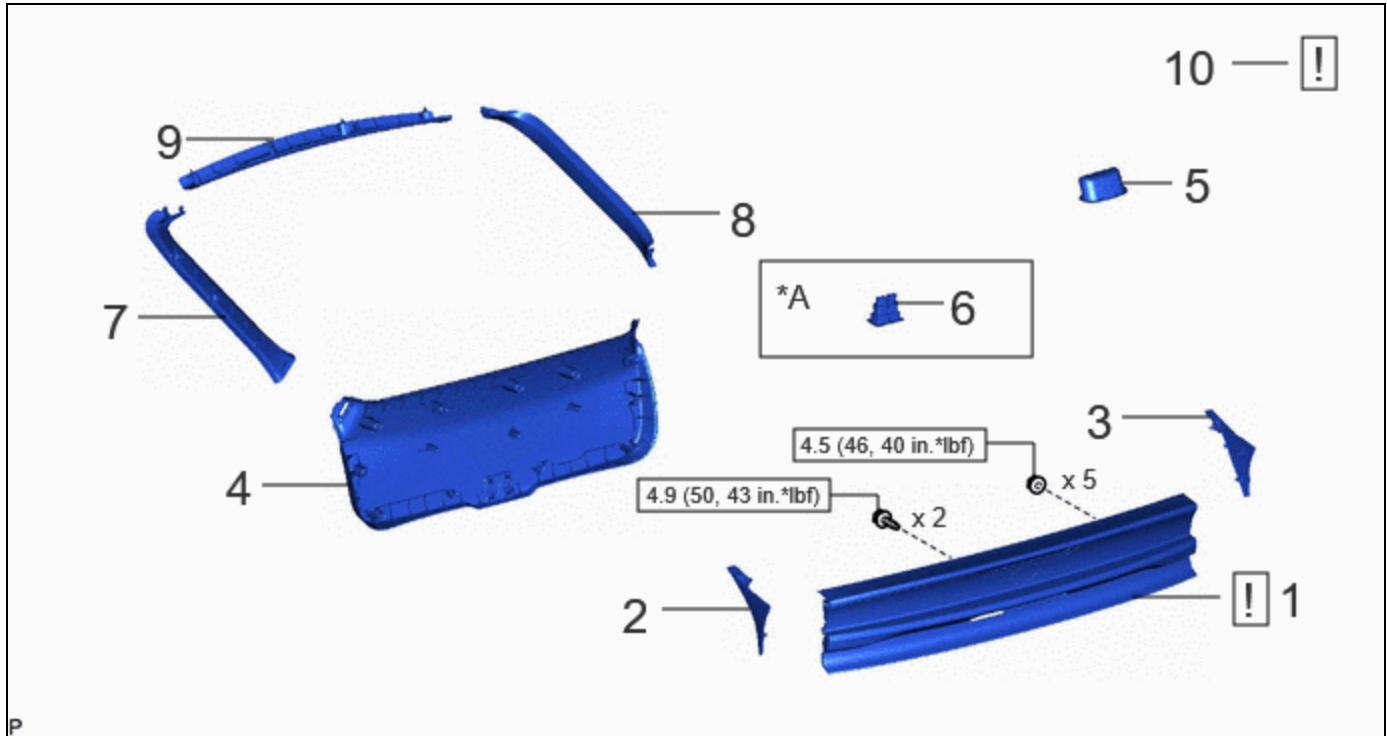


Last Modified: 12-04-2024	6.11:8.1.0	Doc ID: RM10000000292KF
Model Year Start: 2023	Model: Prius Prime	Prod Date Range: [12/2022 -]
Title: LIGHTING (EXT): REAR LIGHT ASSEMBLY: INSTALLATION; 2023 - 2024 MY Prius Prius Prime [12/2022 -]		

INSTALLATION

CAUTION / NOTICE / HINT

COMPONENTS (INSTALLATION)



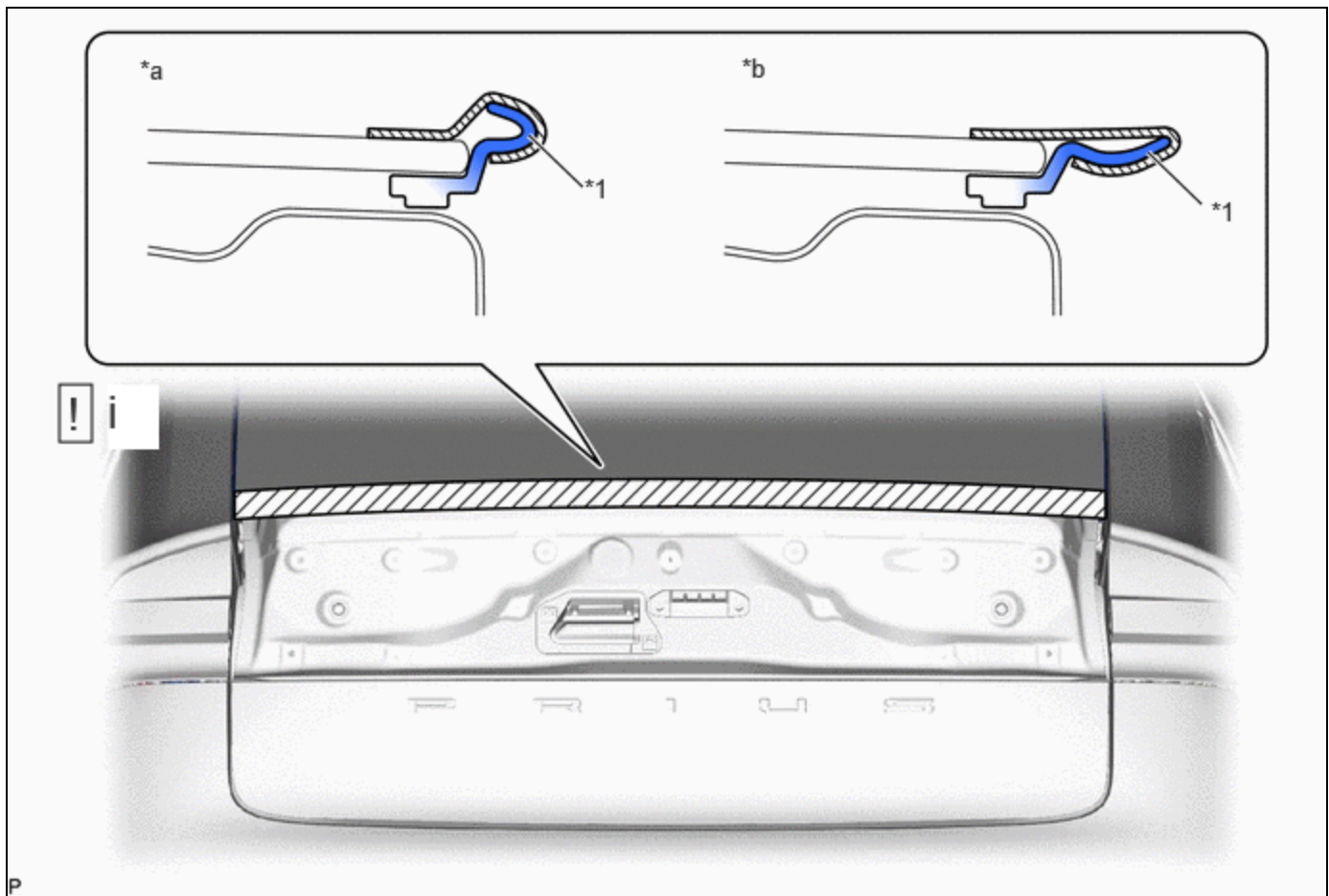
PROCEDURE		PART NAME CODE			
1	REAR LIGHT ASSEMBLY	-	INFO	-	-
2	BACK DOOR OUTSIDE GARNISH LOWER MOULDING LH	76816	-	-	-
3	BACK DOOR OUTSIDE GARNISH LOWER MOULDING RH	76815	-	-	-
4	BACK DOOR TRIM BOARD ASSEMBLY	67750	-	-	-
5	DOOR PULL HANDLE	74811D	-	-	-
6	GLIDE DOOR INSIDE HANDLE BASE ASSEMBLY	69290G	-	-	-
7	BACK DOOR SIDE GARNISH LH	67938A	-	-	-
8	BACK DOOR SIDE GARNISH RH	67937B	-	-	-
9	BACK DOOR UPPER TRIM PANEL ASSEMBLY	64790B	-	-	-

PROCEDURE		PART NAME CODE			
10	INSPECT POWER BACK DOOR SYSTEM	-	INFO	-	-

*A	w/ Power Back Door	-	-
	N*m (kgf*cm, ft.*lbf): Specified torque	-	-

PROCEDURE

1. INSTALL REAR LIGHT ASSEMBLY

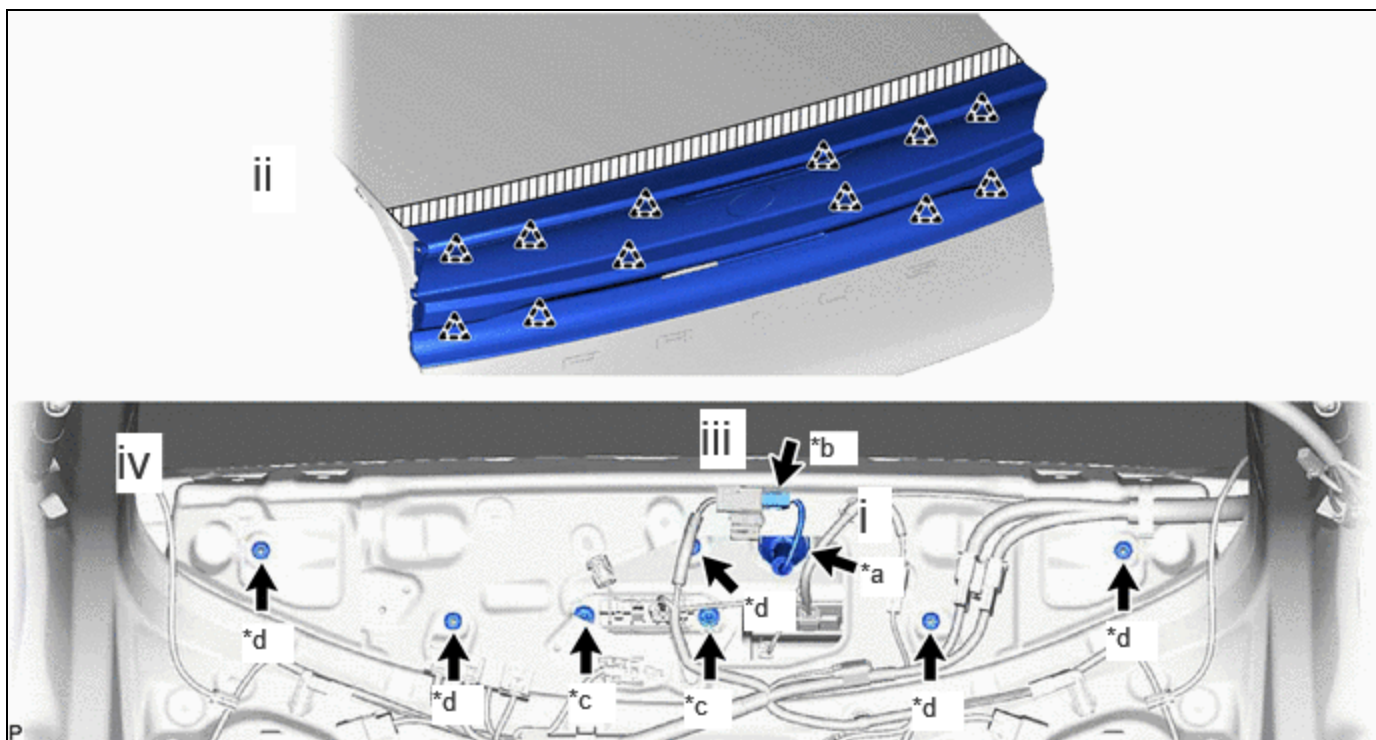


*1	Back Window Lower Moulding	-	-
*a	Incorrect	*b	Correct
	Protective Tape	-	-

(1) Pull back the back window lower moulding and secure it with protective tape as shown in the illustration.

NOTICE:

Be careful not to damage the back window lower moulding.



*a	Grommet	*b	Connector
*c	Bolt	*d	Nut

- (1) Connect the grommet.
- (2) Engage the 12 clips.
- (3) Connect the connector.
- (4) Install the rear light assembly with the 2 bolts and 5 nuts.

Torque:

Nut :

4.5 N·m {46 kgf·cm, 40 in·lbf}

Bolt :

4.9 N·m {50 kgf·cm, 43 in·lbf}

2. INSTALL BACK DOOR OUTSIDE GARNISH LOWER MOULDING LH

3. INSTALL BACK DOOR OUTSIDE GARNISH LOWER MOULDING RH

4. INSTALL BACK DOOR TRIM BOARD ASSEMBLY

5. INSTALL DOOR PULL HANDLE

6. INSTALL GLIDE DOOR INSIDE HANDLE BASE ASSEMBLY (w/ Power Back Door)

7. INSTALL BACK DOOR SIDE GARNISH LH

8. INSTALL BACK DOOR SIDE GARNISH RH

9. INSTALL BACK DOOR UPPER TRIM PANEL ASSEMBLY

10. INSPECT POWER BACK DOOR SYSTEM



Click here [INFO](#)

