

Last Modified: 12-04-2024	6.11:8.1.0	Doc ID: RM10000000292KI
Model Year Start: 2023	Model: Prius Prime	Prod Date Range: [12/2022 -]
Title: LIGHTING (EXT): REAR LIGHT ASSEMBLY: DISASSEMBLY; 2023 - 2024 MY Prius Prius Prime [12/2022 -]		

DISASSEMBLY

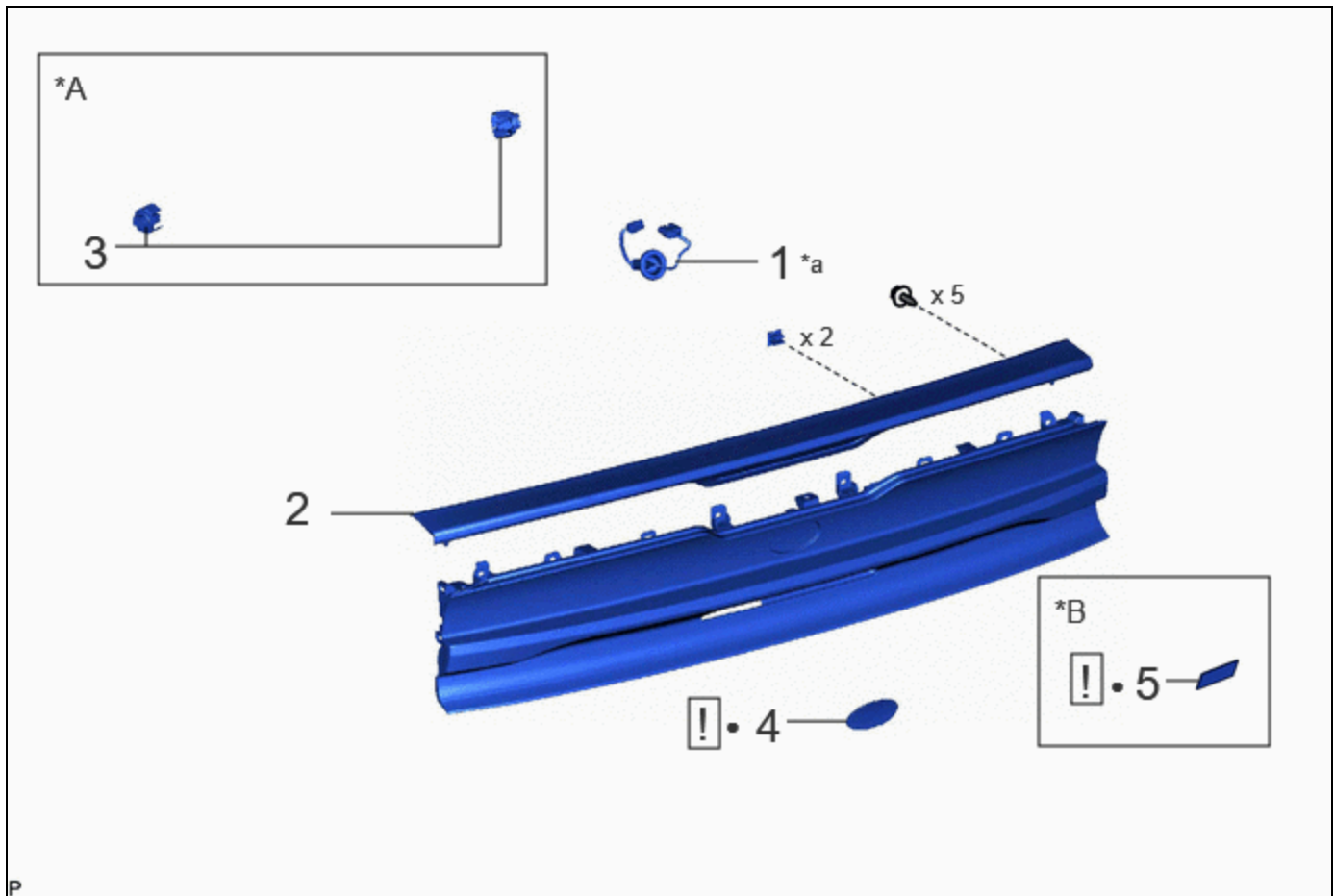
CAUTION / NOTICE / HINT

HINT:




- Use the same procedure for the RH side and LH side.
- The following procedure is for the LH side.

CAUTION / NOTICE / HINT

COMPONENTS (DISASSEMBLY)



	PROCEDURE	PART NAME CODE	!	📄	⚙️
1	CENTER STOP LIGHT CORD ASSEMBLY	81935D	-	-	-
2	CENTER STOP LIGHT ASSEMBLY	81570	-	-	-

PROCEDURE	PART NAME CODE			
3 TAIL LIGHT LED	81536D	-	-	-
4 NO. 1 BACK DOOR EMBLEM	75431A	INFO	-	-
5 NO. 4 BACK DOOR NAME PLATE	75444A	INFO	-	-

*A	w/ Tail Light LED	*B	w/ No. 4 Back Door Emblem
*a	The illustration shown is an example only. The illustration may differ from the actual parts according to the model.	-	-
•	Non-reusable part	-	-

PROCEDURE

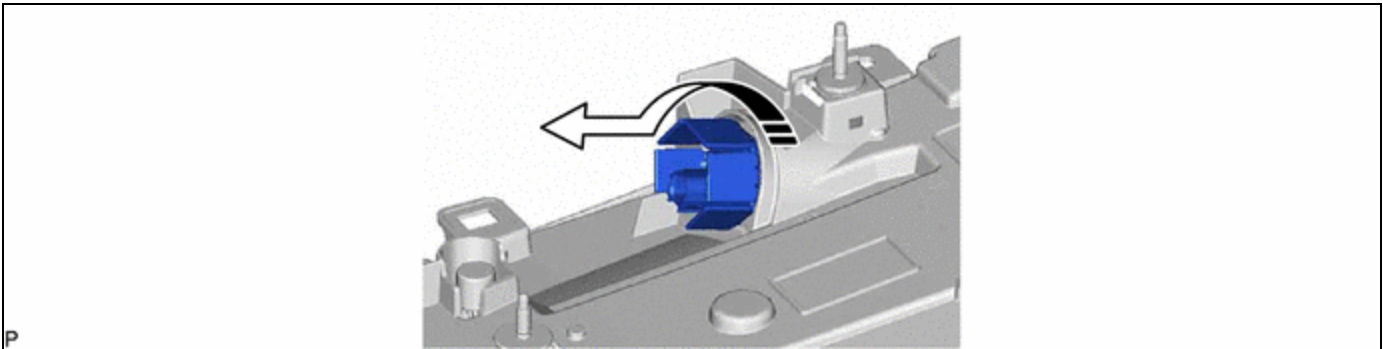
1. REMOVE CENTER STOP LIGHT CORD ASSEMBLY


Click here [INFO](#)

2. REMOVE CENTER STOP LIGHT ASSEMBLY

Click here [INFO](#)


3. REMOVE TAIL LIGHT LED (w/ Tail Light LED)



	Remove in this Direction	-	-
---	--------------------------	---	---

(b) Use the same procedure for the RH side and LH side.

4. REMOVE NO. 1 BACK DOOR EMBLEM

	Click here INFO
---	---------------------------------

5. REMOVE NO. 4 BACK DOOR NAME PLATE (w/ No. 4 Back Door Emblem)



Click here [INFO](#)

