

<b>Last Modified:</b> 12-04-2024	6.11:8.1.0	<b>Doc ID:</b> RM10000000292KD
<b>Model Year Start:</b> 2023	<b>Model:</b> Prius Prime	<b>Prod Date Range:</b> [12/2022 - ]
<b>Title:</b> LIGHTING (EXT): REAR COMBINATION LIGHT ASSEMBLY: DISASSEMBLY; 2023 - 2024 MY Prius Prius Prime [12/2022 - ]		

## DISASSEMBLY

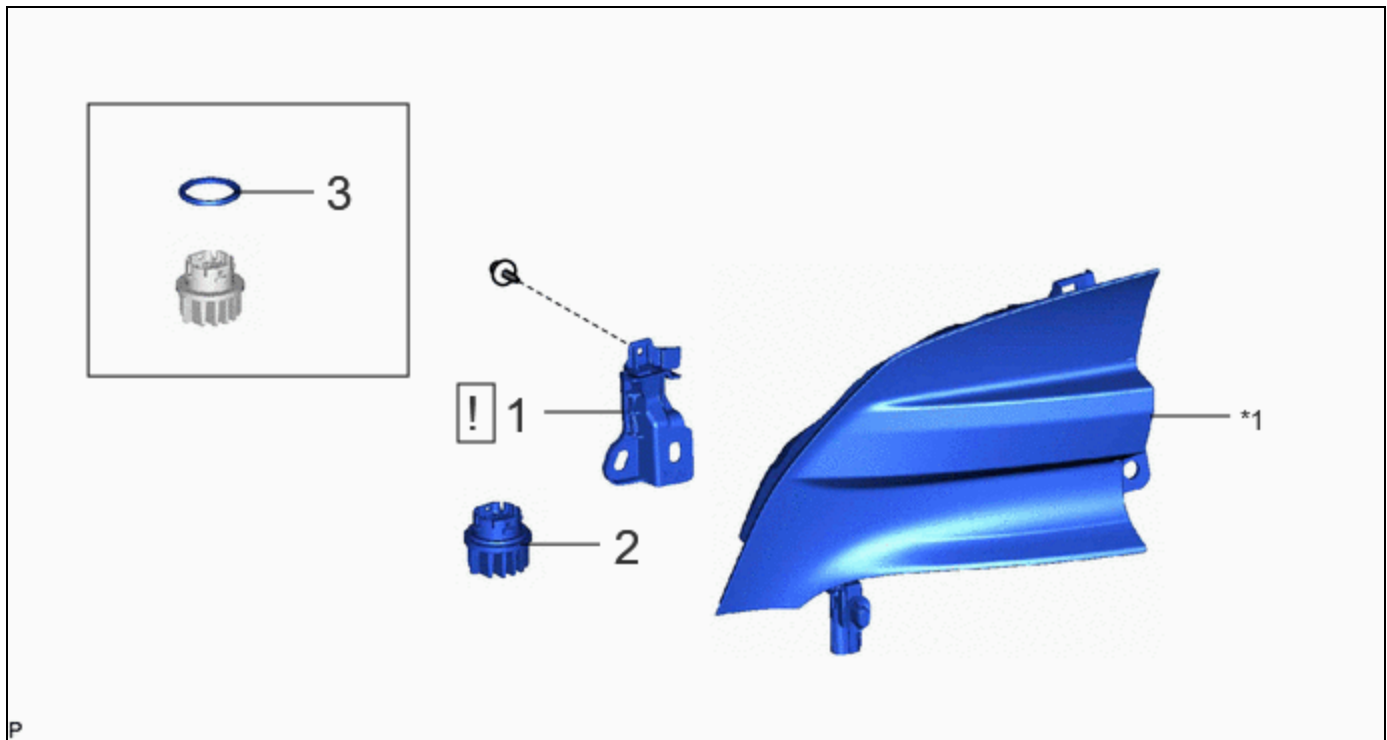
### CAUTION / NOTICE / HINT

**HINT:**

- Use the same procedure for the RH side and LH side.
- The following procedure is for the LH side.

### CAUTION / NOTICE / HINT

#### COMPONENTS (DISASSEMBLY)

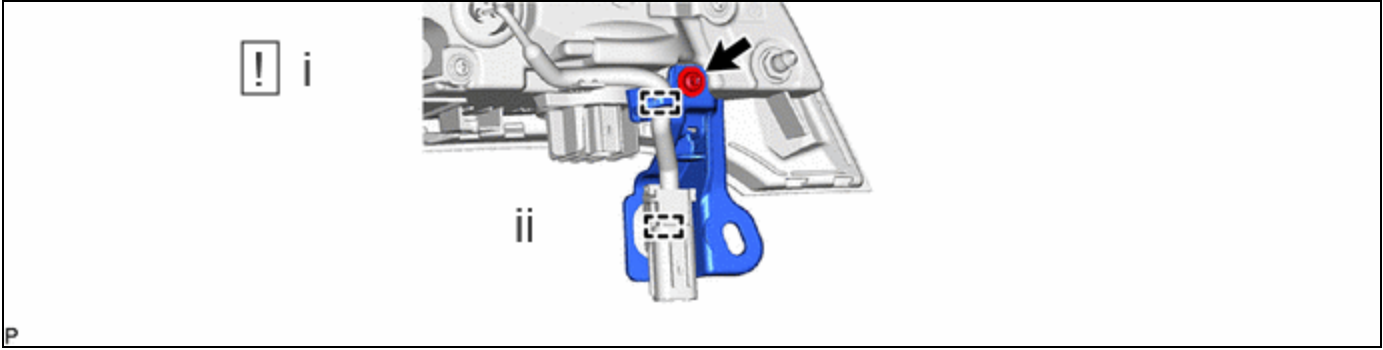


	PROCEDURE	PART NAME CODE			
1	REAR COMBINATION LIGHT BRACKET	81568K	<a href="#">INFO</a>	-	-
2	REAR TURN SIGNAL LIGHT LED	81536B	-	-	-
3	REAR COMBINATION LIGHT BODY GASKET	81564	-	-	-

*1	REAR COMBINATION LIGHT LENS AND BODY	-	-
----	--------------------------------------	---	---

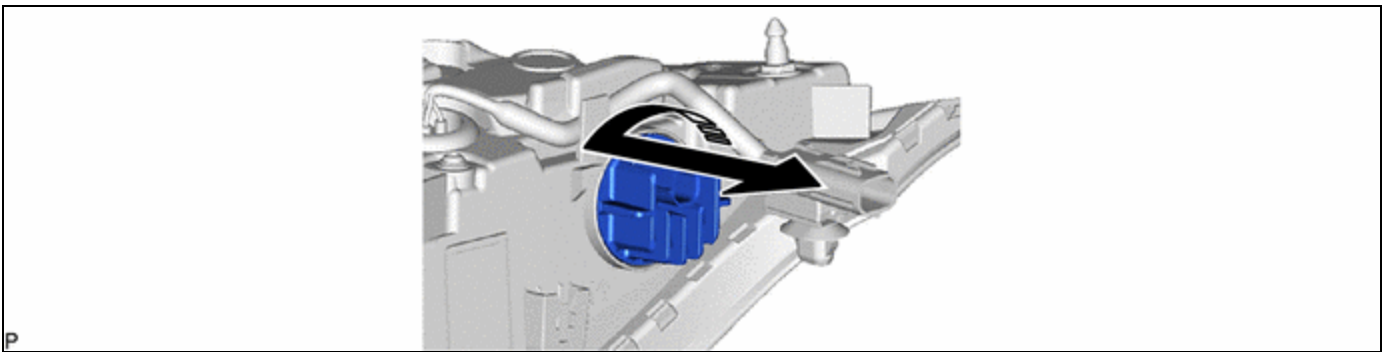
# PROCEDURE

## 1. REMOVE REAR COMBINATION LIGHT BRACKET



- (1) Using a T20H "TORX" driver, remove the "TORX" screw.
- (2) Disengage the 2 clamps tp remove the rear combination light bracket.

## 2. REMOVE REAR TURN SIGNAL LIGHT LED



	Remove in this Direction	-	-
--	--------------------------	---	---

## 3. REMOVE REAR COMBINATION LIGHT BODY GASKET

