

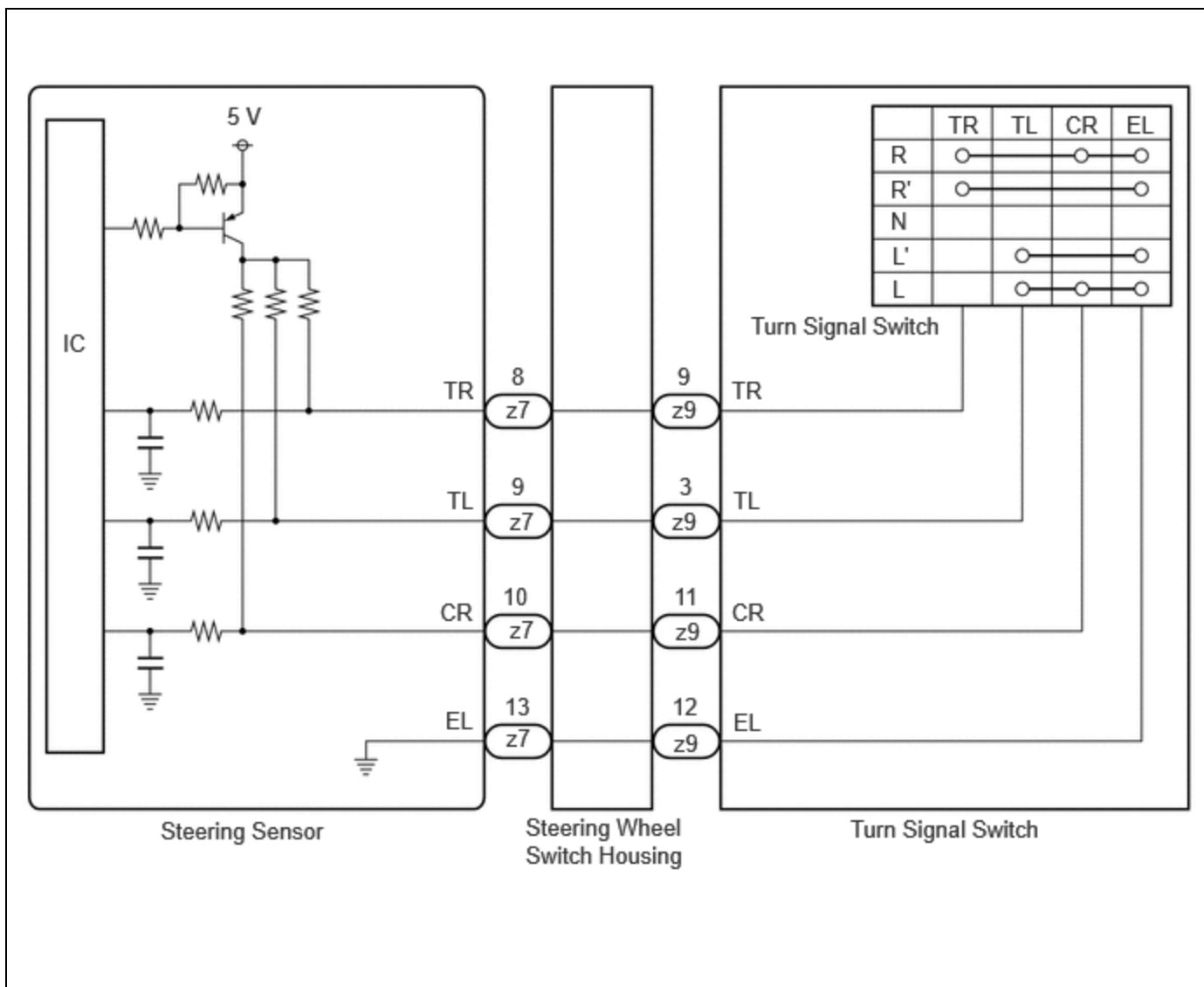
Last Modified: 12-04-2024	6.11:8.1.0	Doc ID: RM100000002A152
Model Year Start: 2023	Model: Prius Prime	Prod Date Range: [12/2022 -]
Title: LIGHTING (EXT): LIGHTING SYSTEM: Turn Signal Switch Circuit; 2023 - 2024 MY Prius Prius Prime [12/2022 -]		

Turn Signal Switch Circuit

DESCRIPTION

The steering sensor receives the turn signal switch information and controls the turn signal lights.

WIRING DIAGRAM



PROCEDURE

1.	READ VALUE USING GTS
-----------	-----------------------------

(a) Read the Data List according to the display on the GTS.

Chassis > Steering Angle Sensor > Data List

TESTER DISPLAY	MEASUREMENT ITEM	RANGE	NORMAL CONDITION	DIAGNOSTIC NOTE
Turn Signal Switch (Right)	Turn signal switch (right turn position) signal	OFF or ON	OFF: Turn signal switch not in right turn position ON: Turn signal switch in right turn position	-
Turn Signal Switch (Left)	Turn signal switch (left turn position) signal	OFF or ON	OFF: Turn signal switch not in left turn position ON: Turn signal switch in left turn position	-
Cornering Light/Front Side Illuminate Light Switch	Turn signal switch (full turn) signal	OFF or ON	OFF: Turn signal switch not in left or right turn position ON: Turn signal switch in left or right full turn position	-

Chassis > Steering Angle Sensor > Data List

TESTER DISPLAY
Turn Signal Switch (Right)
Turn Signal Switch (Left)
Cornering Light/Front Side Illuminate Light Switch

OK:
Normal conditions listed above are displayed.

OK ▶ **PROCEED TO NEXT SUSPECTED AREA SHOWN IN PROBLEM SYMPTOMS TABLE**

Click here [INFO](#)

NG
▼

2.	INSPECT TURN SIGNAL SWITCH
-----------	-----------------------------------

Click here [INFO](#)

NG  **REPLACE TURN SIGNAL SWITCH**

OK



3.	INSPECT STEERING WHEEL SWITCH HOUSING
-----------	--

Click here 

OK  **REPLACE STEERING SENSOR**

Click here 

NG  **REPLACE STEERING WHEEL SWITCH HOUSING**

Click here 

