

<b>Last Modified:</b> 12-04-2024	6.11:8.1.0	<b>Doc ID:</b> RM10000002A15C
<b>Model Year Start:</b> 2023	<b>Model:</b> Prius Prime	<b>Prod Date Range:</b> [12/2022 - ]
<b>Title:</b> LIGHTING (EXT): LIGHTING SYSTEM: Parking Light/Daytime Running Light Circuit; 2023 - 2024 MY Prius Prius Prime [12/2022 - ]		

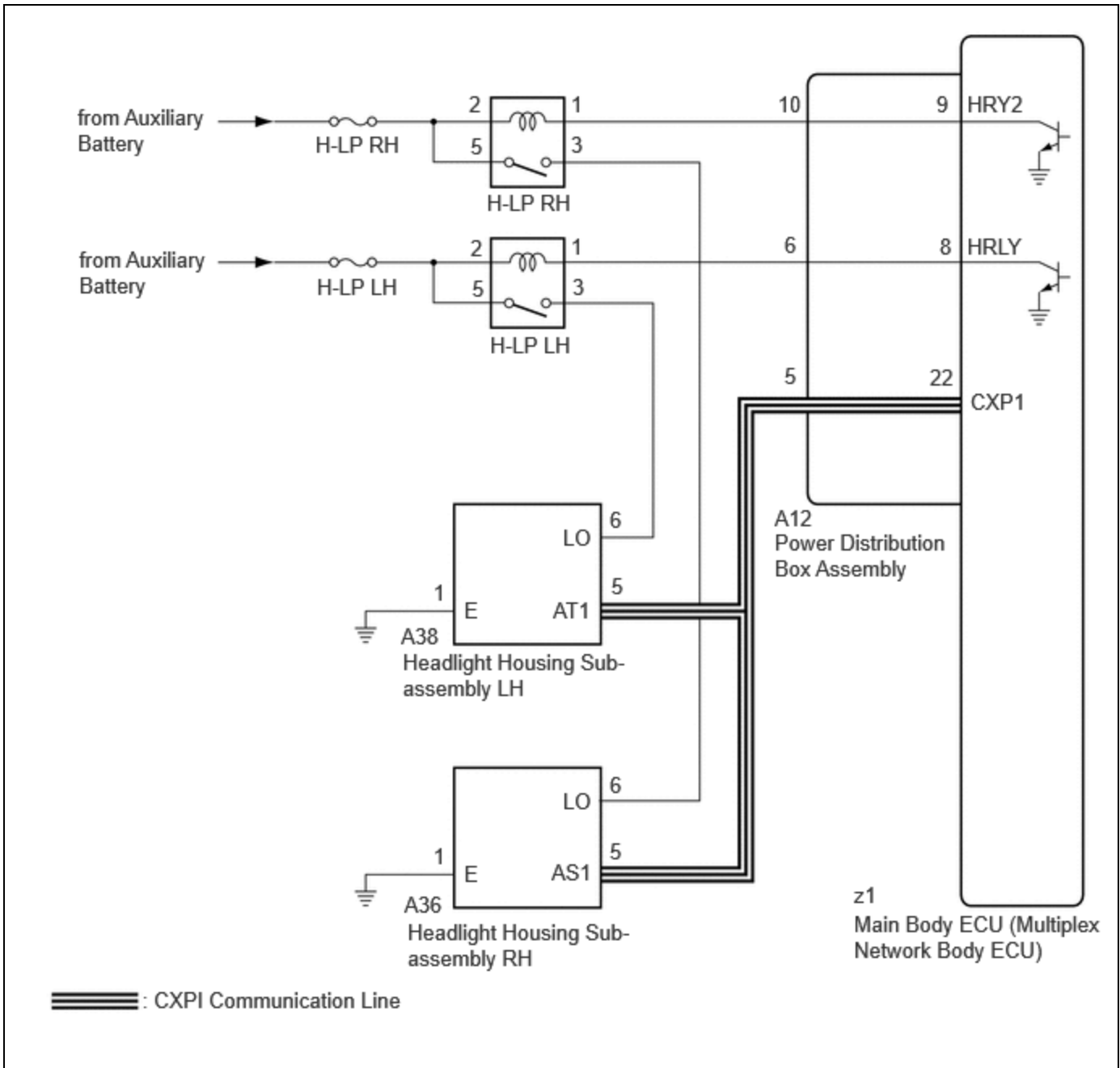
## Parking Light/Daytime Running Light Circuit

## DESCRIPTION

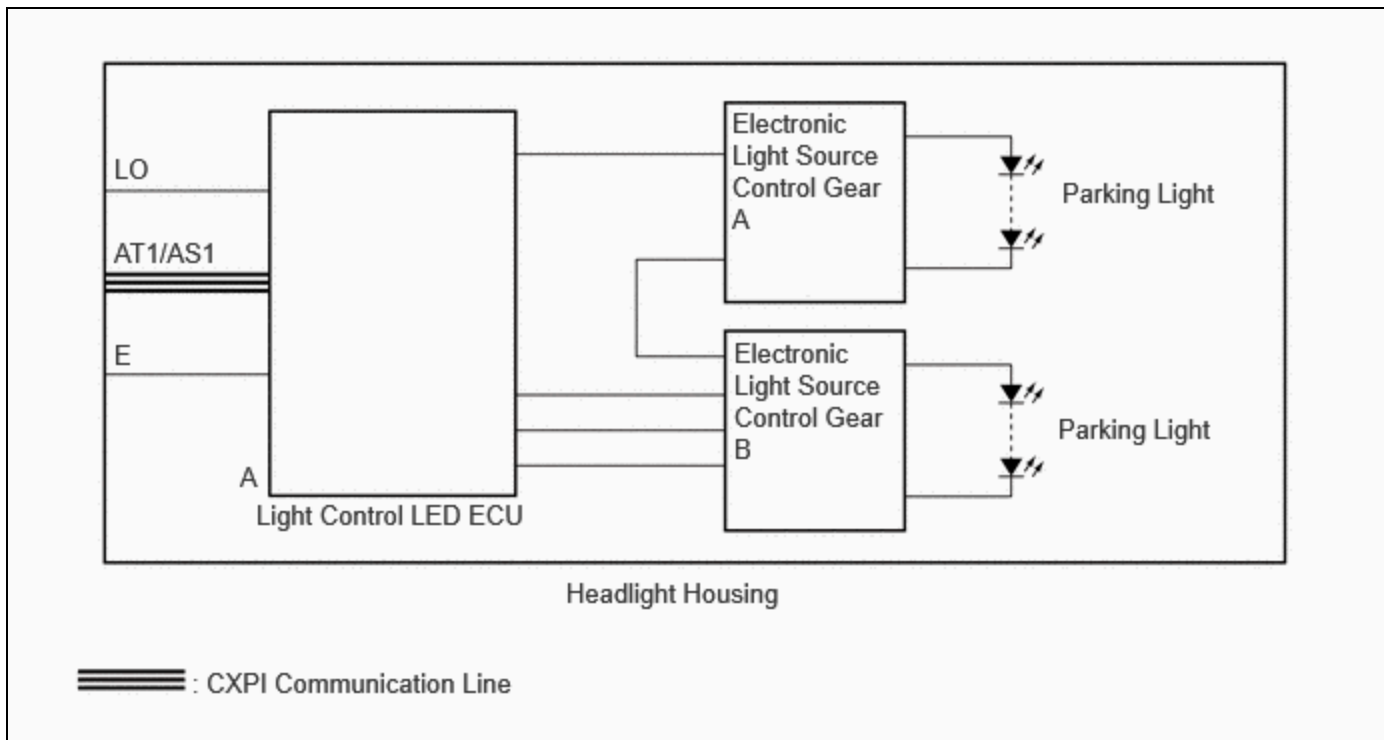
The main body ECU (multiplex network body ECU) controls the parking lights and daytime running lights\*.

\*: w/o Front Turn Signal LED Socket

## WIRING DIAGRAM



**HEADLIGHT ASSEMBLY CIRCUIT (w/o Front Side Marker Light)**



## CAUTION / NOTICE / HINT

### NOTICE:

- Inspect the fuses for circuits related to this system before performing the following procedure.
- Before replacing the main body ECU (multiplex network body ECU), refer to Registration.

Click here [INFO](#)

- First perform the communication function inspections in How to Proceed with Troubleshooting to confirm that there are no CXPI communication malfunctions before troubleshooting this symptom.

Click here [INFO](#)

## PROCEDURE

<b>1.</b>	<b>CONFIRM MODEL</b>
-----------	----------------------

(a) Choose the model to be inspected.

RESULT	PROCEED TO
w/o Front Turn Signal LED Socket	A
w/ Front Turn Signal LED Socket	B

**B** **GO TO STEP 3**



<b>2.</b>	<b>PERFORM ACTIVE TEST USING GTS</b>
-----------	--------------------------------------

(a) Perform the Active Test according to the display on the GTS.

**Body Electrical > Main Body > Active Test**

TESTER DISPLAY	MEASUREMENT ITEM	CONTROL RANGE	DIAGNOSTIC NOTE
Daytime Running Light	Daytime running lights	OFF or ON	-
Taillight / Clearance Light	Taillights/parking lights	OFF or ON	-

**Body Electrical > Main Body > Active Test**

TESTER DISPLAY
Daytime Running Light

**Body Electrical > Main Body > Active Test**

TESTER DISPLAY
Taillight / Clearance Light

OK:  
Parking lights and daytime running lights illuminate.

RESULT	PROCEED TO
OK	A
NG (LH side parking light or daytime running light does not illuminate)	B
NG (RH side parking light or daytime running light does not illuminate)	C

**A** **PROCEED TO NEXT SUSPECTED AREA SHOWN IN PROBLEM SYMPTOMS TABLE**

Click here

**B** **REPLACE HEADLIGHT HOUSING SUB-ASSEMBLY LH**

**C ▶ REPLACE HEADLIGHT HOUSING SUB-ASSEMBLY RH**

**3. CONFIRM MODEL**

(a) Choose the model to be inspected.

RESULT	PROCEED TO
w/ Front Side Marker Light	A
w/o Front Side Marker Light	B

**B ▶ GO TO STEP 5**

**A**



**4. PERFORM ACTIVE TEST USING GTS**

(a) Perform the Active Test according to the display on the GTS.

**Body Electrical > Main Body > Active Test**

TESTER DISPLAY	MEASUREMENT ITEM	CONTROL RANGE	DIAGNOSTIC NOTE
Taillight / Clearance Light	Taillights/parking lights	OFF or ON	-

**Body Electrical > Main Body > Active Test**

TESTER DISPLAY
Taillight / Clearance Light

OK:

Parking lights illuminate.

RESULT	PROCEED TO
OK	A
NG (LH side parking light does not illuminate)	B

RESULT	PROCEED TO
NG (RH side parking light does not illuminate)	C

**A** ▶ **PROCEED TO NEXT SUSPECTED AREA SHOWN IN PROBLEM SYMPTOMS TABLE**

Click here [INFO](#)

**B** ▶ **REPLACE HEADLIGHT HOUSING SUB-ASSEMBLY LH**

**C** ▶ **REPLACE HEADLIGHT HOUSING SUB-ASSEMBLY RH**

**5. PERFORM ACTIVE TEST USING GTS**

(a) Perform the Active Test according to the display on the GTS.

**Body Electrical > Main Body > Active Test**

TESTER DISPLAY	MEASUREMENT ITEM	CONTROL RANGE	DIAGNOSTIC NOTE
Taillight / Clearance Light	Taillights/parking lights	OFF or ON	-

**Body Electrical > Main Body > Active Test**

TESTER DISPLAY
Taillight / Clearance Light

OK:  
Parking lights illuminate.

RESULT	PROCEED TO
OK	A
NG (LH side parking light does not illuminate)	B
NG (RH side parking light does not illuminate)	C

**A** ▶ **PROCEED TO NEXT SUSPECTED AREA SHOWN IN PROBLEM SYMPTOMS TABLE**

Click here [INFO](#)

**C** ▶ **GO TO STEP 8**

**B****6. CHECK LIGHT CONTROL LED ECU LH**

(a) Interchange the light control LED ECU LH with RH and connect the connectors.

Click here [INFO](#)

**NEXT****7. CHECK OPERATION (PARKING LIGHTS)**

(a) Check the operation of the parking lights of the headlight housing sub-assembly LH.

OK:

The parking lights of the headlight housing sub-assembly LH operate normally.

**OK** ► **REPLACE LIGHT CONTROL LED ECU LH**

**NG** ► **REPLACE HEADLIGHT HOUSING SUB-ASSEMBLY LH**

**8. CHECK LIGHT CONTROL LED ECU RH**

(a) Interchange the light control LED ECU RH with LH and connect the connectors.

Click here [INFO](#)

**NEXT****9. CHECK OPERATION (PARKING LIGHTS)**

(a) Check the operation of the parking lights of the headlight housing sub-assembly RH.

OK:

The parking lights of the headlight housing sub-assembly RH operate normally.

**OK** ► **REPLACE LIGHT CONTROL LED ECU RH**

**NG**  **REPLACE HEADLIGHT HOUSING SUB-ASSEMBLY RH**

