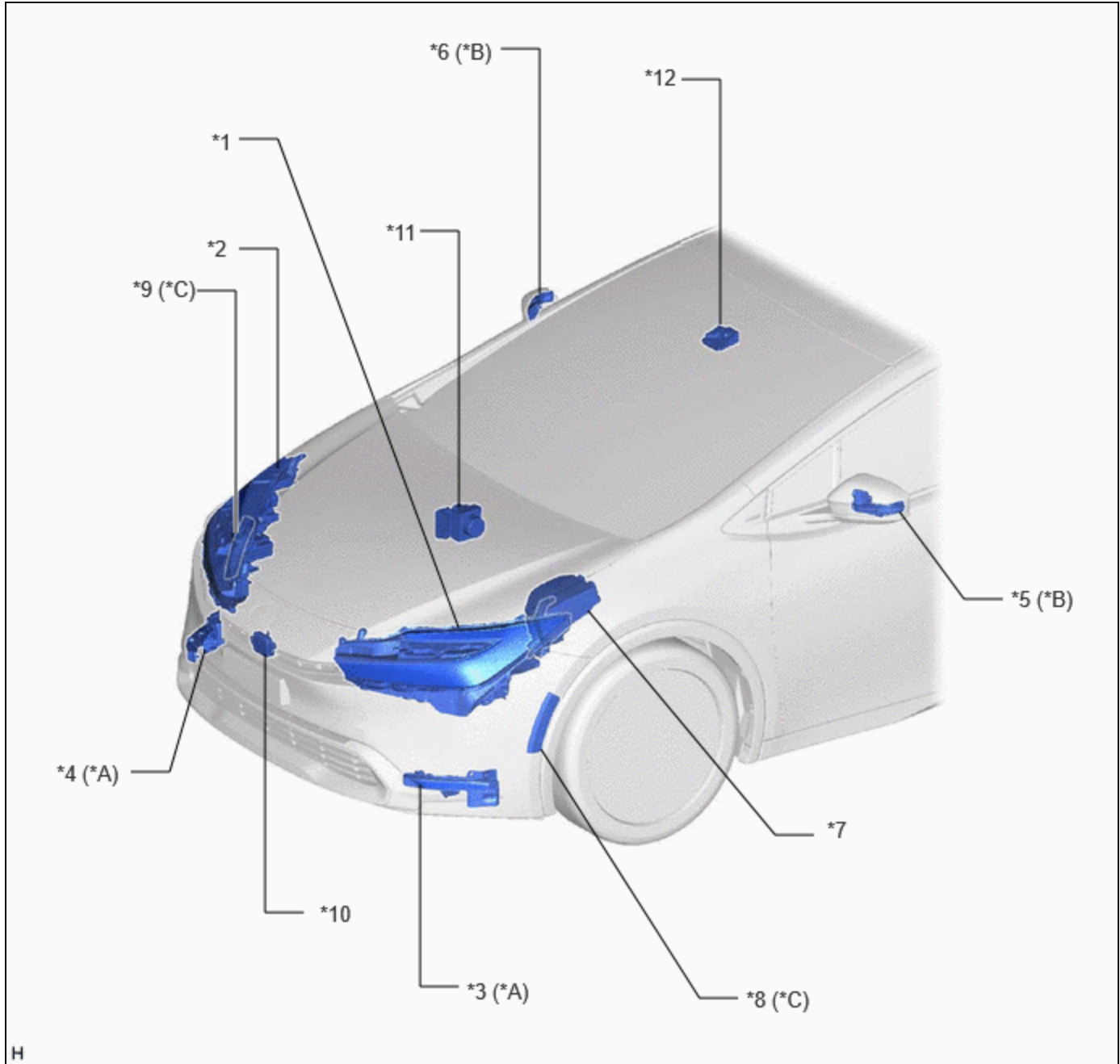


Last Modified: 12-04-2024	6.11:8.1.0	Doc ID: RM100000002C2KK
Model Year Start: 2023	Model: Prius Prime	Prod Date Range: [03/2023 -]
Title: LIGHTING (EXT): LIGHTING SYSTEM: PARTS LOCATION; 2023 - 2024 MY Prius Prius Prime [03/2023 -]		

PARTS LOCATION

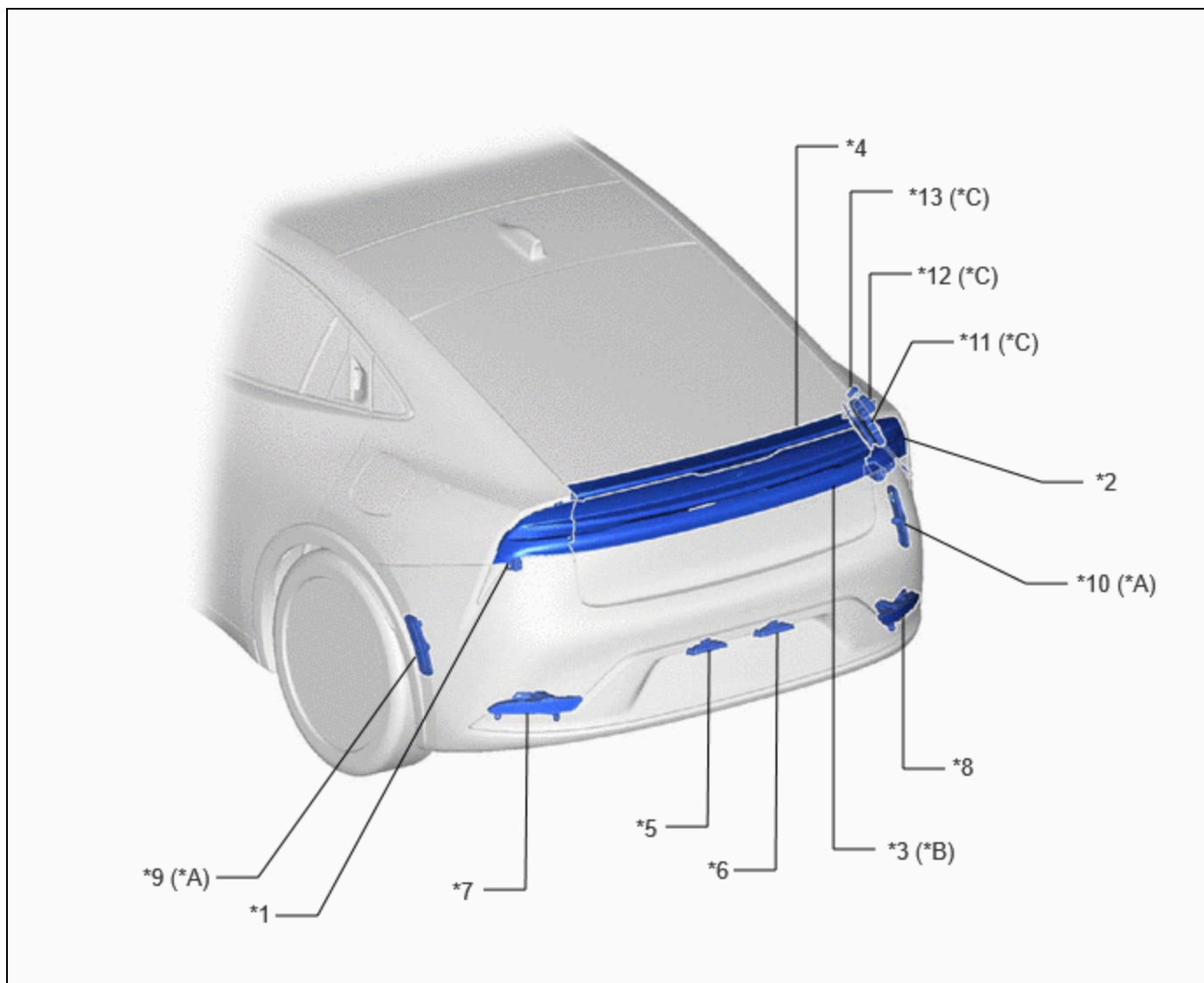
ILLUSTRATION



*A	w/ Accessory Light	*B	w/ Side Turn Signal Light
*C	w/ Front Side Marker Light	-	-
*1	HEADLIGHT ASSEMBLY LH - HEADLIGHT HOUSING SUB-ASSEMBLY LH	*2	HEADLIGHT ASSEMBLY RH - HEADLIGHT HOUSING SUB-ASSEMBLY RH

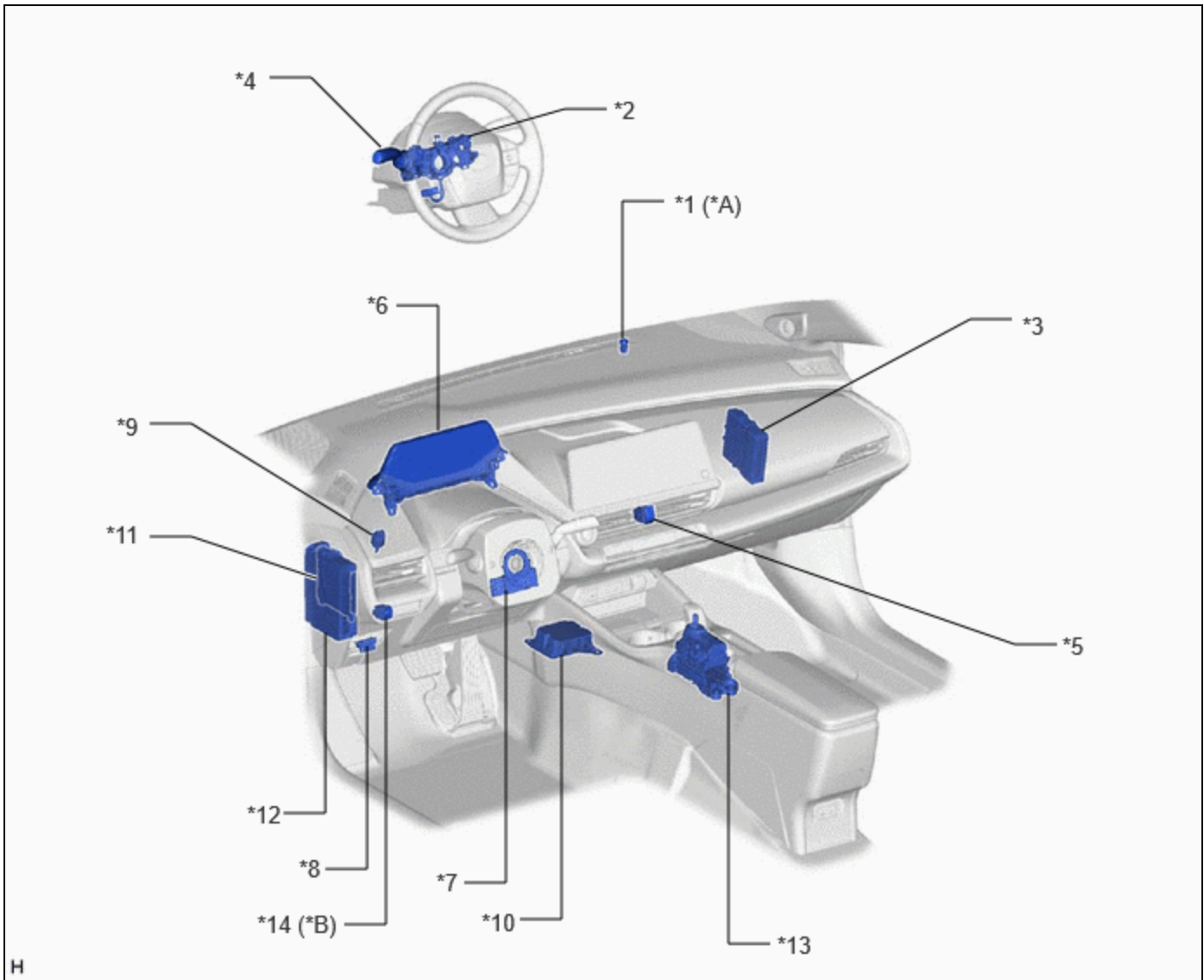
	<ul style="list-style-type: none"> - HEADLIGHT HOUSING LH (w/o Front Side Marker Light) - HEADLIGHT UNIT ASSEMBLY LH (w/o Front Side Marker Light) - LIGHT CONTROL LED ECU LH (w/o Front Side Marker Light) - HEADLIGHT LEVELING MOTOR (w/o Front Side Marker Light) - HEADLIGHT FRONT TURN SIGNAL LED (w/o Front Turn Signal LED Socket) 		<ul style="list-style-type: none"> - HEADLIGHT HOUSING RH (w/o Front Side Marker Light) - HEADLIGHT UNIT ASSEMBLY RH (w/o Front Side Marker Light) - LIGHT CONTROL LED ECU RH (w/o Front Side Marker Light) - HEADLIGHT LEVELING MOTOR (w/o Front Side Marker Light) - HEADLIGHT FRONT TURN SIGNAL LED (w/o Front Turn Signal LED Socket)
*3	LED ILLUMINATION LIGHT LH	*4	LED ILLUMINATION LIGHT RH
*5	SIDE TURN SIGNAL LIGHT ASSEMBLY LH	*6	SIDE TURN SIGNAL LIGHT ASSEMBLY RH
*7	NO. 1 ENGINE ROOM RELAY BLOCK AND NO. 1 JUNCTION BLOCK ASSEMBLY <ul style="list-style-type: none"> - INP STD NO. 1 FUSE - H-LP LH RELAY - H-LP RH RELAY - H-LP LH FUSE - H-LP RH FUSE 	*8	FRONT MARKER LIGHT ASSEMBLY LH
*9	FRONT MARKER LIGHT ASSEMBLY RH	*10	MILLIMETER WAVE RADAR SENSOR ASSEMBLY
*11	NO. 2 SKID CONTROL ECU (BRAKE ACTUATOR ASSEMBLY)	*12	FORWARD RECOGNITION CAMERA

ILLUSTRATION



*A	w/ Rear Side Marker Light	*B	w/ Tail Light LED
*C	for PHEV Model	-	-
*1	REAR COMBINATION LIGHT ASSEMBLY LH - REAR COMBINATION LIGHT LENS AND BODY LH - REAR TURN SIGNAL LIGHT LED LH	*2	REAR COMBINATION LIGHT ASSEMBLY RH - REAR COMBINATION LIGHT LENS AND BODY RH - REAR TURN SIGNAL LIGHT LED RH
*3	REAR LIGHT ASSEMBLY - TAIL LIGHT LED (LH) - TAIL LIGHT LED (RH)	*4	CENTER STOP LIGHT ASSEMBLY - CENTER STOP LIGHT CORD ASSEMBLY
*5	LICENSE PLATE LIGHT ASSEMBLY (LH)	*6	LICENSE PLATE LIGHT ASSEMBLY (RH)
*7	BACK-UP LIGHT ASSEMBLY LH - BACK-UP LIGHT LED LH	*8	BACK-UP LIGHT ASSEMBLY RH - BACK-UP LIGHT LED RH
*9	REAR SIDE MARKER LIGHT ASSEMBLY LH	*10	REAR SIDE MARKER LIGHT ASSEMBLY RH
*11	PLUGIN CHARGE CONTROL ECU ASSEMBLY	*12	CHARGE LID WITH MOTOR LOCK ASSEMBLY
*13	SPOT LIGHT ASSEMBLY	-	-

ILLUSTRATION



H

*A	w/ Automatic Light Control	*B	w/ Manual Leveling System
*1	AUTOMATIC LIGHT CONTROL SENSOR	*2	STEERING WHEEL SWITCH HOUSING
*3	HYBRID VEHICLE CONTROL ECU	*4	TURN SIGNAL SWITCH
*5	HAZARD WARNING SIGNAL SWITCH ASSEMBLY	*6	COMBINATION METER ASSEMBLY
*7	STEERING SENSOR	*8	DLC3
*9	STOP LIGHT SWITCH ASSEMBLY	*10	AIRBAG ECU ASSEMBLY
*11	MAIN BODY ECU (MULTIPLEX NETWORK BODY ECU)	*12	POWER DISTRIBUTION BOX ASSEMBLY - ECU-IGR NO. 1 FUSE - ECU-B NO. 2 FUSE - TAIL FUSE - TAIL RELAY - ECU-B NO. 3 FUSE (for PHEV Model)
*13	SHIFT CONTROL ECU (TRANSMISSION FLOOR SHIFT ASSEMBLY)	*14	HEADLIGHT LEVELING SWITCH

