

<b>Last Modified:</b> 12-04-2024	6.11:8.1.0	<b>Doc ID:</b> RM10000000292KR
<b>Model Year Start:</b> 2023	<b>Model:</b> Prius Prime	<b>Prod Date Range:</b> [12/2022 - ]
<b>Title:</b> LIGHTING (EXT): ILLUMINATION LIGHT ASSEMBLY: REMOVAL; 2023 - 2024 MY Prius Prius Prime [12/2022 - ]		

## REMOVAL

### CAUTION / NOTICE / HINT

The necessary procedures (adjustment, calibration, initialization or registration) that must be performed after parts are removed and installed, or replaced during LED illumination light removal/installation are shown below.

#### **Necessary Procedures After Parts Removed/Installed/Replaced**

REPLACED PART OR PERFORMED PROCEDURE	NECESSARY PROCEDURES	EFFECT/INOPERATIVE FUNCTION WHEN NECESSARY PROCEDURES ARE NOT PERFORMED	LINK
Front bumper assembly*1	Front television camera view adjustment	Panoramic View Monitor System	<a href="#">INFO</a>
		Advanced Park	<a href="#">INFO</a>
<b>Replacement or removal and installation of 2 or more parts:</b> <ul style="list-style-type: none"> <li>• Front television camera assembly, Radiator grille or Front bumper assembly</li> <li>• Rear television camera assembly</li> <li>• Side television camera assembly LH, Parking assist light LH or Outer rear view mirror assembly LH</li> <li>• Side television camera assembly RH, Parking assist light RH or Outer rear view mirror assembly RH</li> </ul>	Television camera view adjustment	Panoramic View Monitor System	<a href="#">INFO</a>

\*1: Even when not replacing the part, it is necessary to perform the specified necessary procedures after installation.

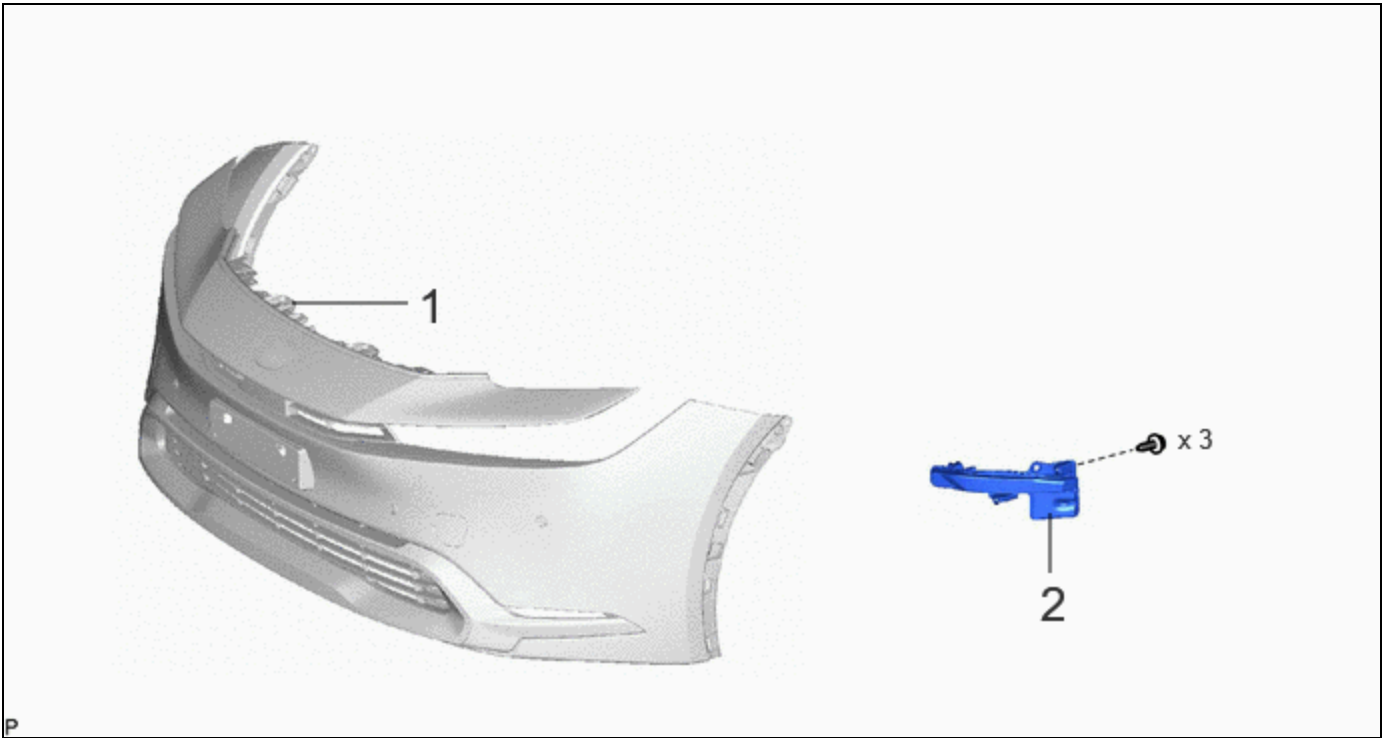
### CAUTION / NOTICE / HINT

**HINT:**

- Use the same procedure for the RH side and LH side.
- The following procedure is for the LH side.

### CAUTION / NOTICE / HINT

#### **COMPONENTS (REMOVAL)**



	PROCEDURE	PART NAME CODE	!	📄	⚙️
1	FRONT BUMPER ASSEMBLY	-	-	-	-
2	LED ILLUMINATION LIGHT	8122A	-	-	-

## PROCEDURE

### 1. REMOVE FRONT BUMPER ASSEMBLY

Click here [INFO](#)

### 2. REMOVE LED ILLUMINATION LIGHT

