

Last Modified: 12-04-2024	6.11:8.1.0	Doc ID: RM10000000292LK
Model Year Start: 2023	Model: Prius Prime	Prod Date Range: [12/2022 -]
Title: LIGHTING (EXT): HEADLIGHT ASSEMBLY: PRECAUTION; 2023 - 2024 MY Prius Prius Prime [12/2022 -]		

PRECAUTION

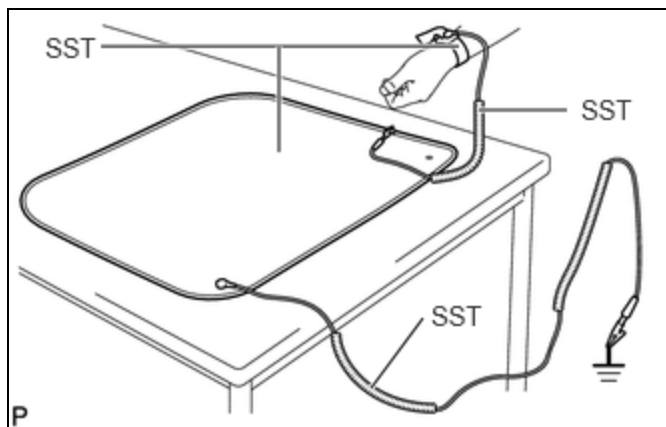
NOTICE:

When disassembling the headlight assembly, use static electricity countermeasures SST (desktop anti-static mat set) and observe all precautions to prevent damage to the system by electrostatic discharge (ESD).

STATIC ELECTRICITY COUNTERMEASURES SST

SST: Desktop anti-static mat set (09890-47010)

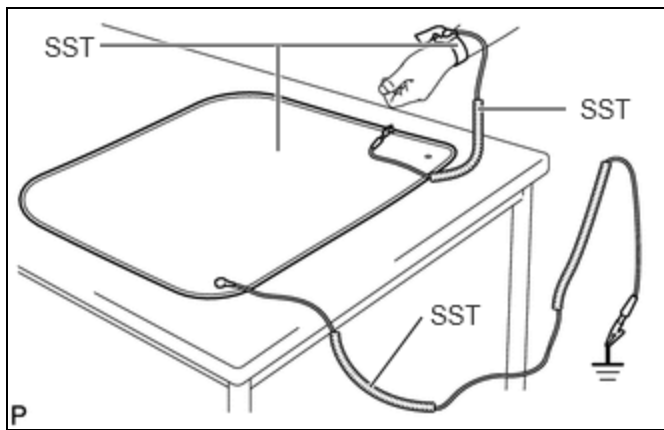
- Wristband
SST:
09891-04020
- Wristband connection wire (No. 1 grounding wire)
SST:
09891-04030
- Anti-static mat
SST:
09891-04010
- Ground connection wire (No. 2 grounding wire)
SST:
09891-04040



PRECAUTIONS DURING REPLACEMENT

(a) Precautions during procedures:

- (1) Before performing any procedures, touch an unpainted metal part or ground bolt of the vehicle to eliminate any static electricity.
- (2) To prevent damage to electrical equipment, disconnect the battery power supply before installing and removing electrical equipment.
- (3) Never touch the electronic parts of a printed wire board or the pins of an integrated circuit.
- (4) When performing procedures, do not allow clothing to come near or contact parts.



(b) Wear SST (wristband) firmly on your wrist.

SST:

09891-04020

(c) Connect SST (No. 2 grounding wire) and SST (anti-static mat) to an appropriate grounding point in the workspace and on the work table.

SST:

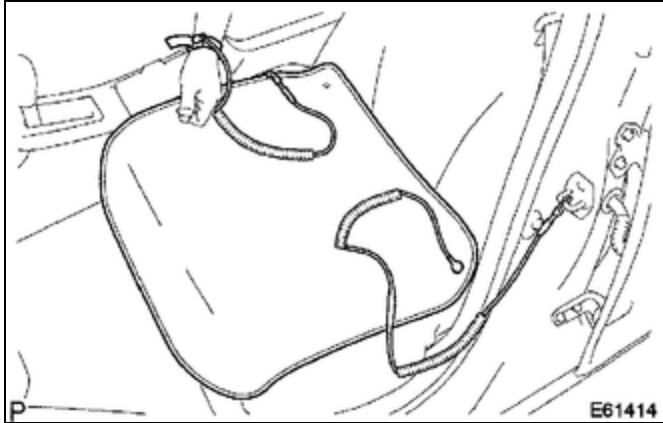
09891-04040

09891-04010

HINT:

When working inside the vehicle:

Connect SST (No. 2 grounding wire) to an unpainted metal part or a ground bolt, etc.



(d) Connect SST (No. 1 grounding wire), SST (wristband) and SST (anti-static mat).

SST:

09891-04030

(e) Always place the headlight assembly and its components on SST (anti-static mat).

