

Last Modified: 12-04-2024	6.11:8.1.0	Doc ID: RM10000000292LL
Model Year Start: 2023	Model: Prius Prime	Prod Date Range: [12/2022 -]
Title: LIGHTING (EXT): HEADLIGHT ASSEMBLY: DISASSEMBLY; 2023 - 2024 MY Prius Prius Prime [12/2022 -]		

DISASSEMBLY

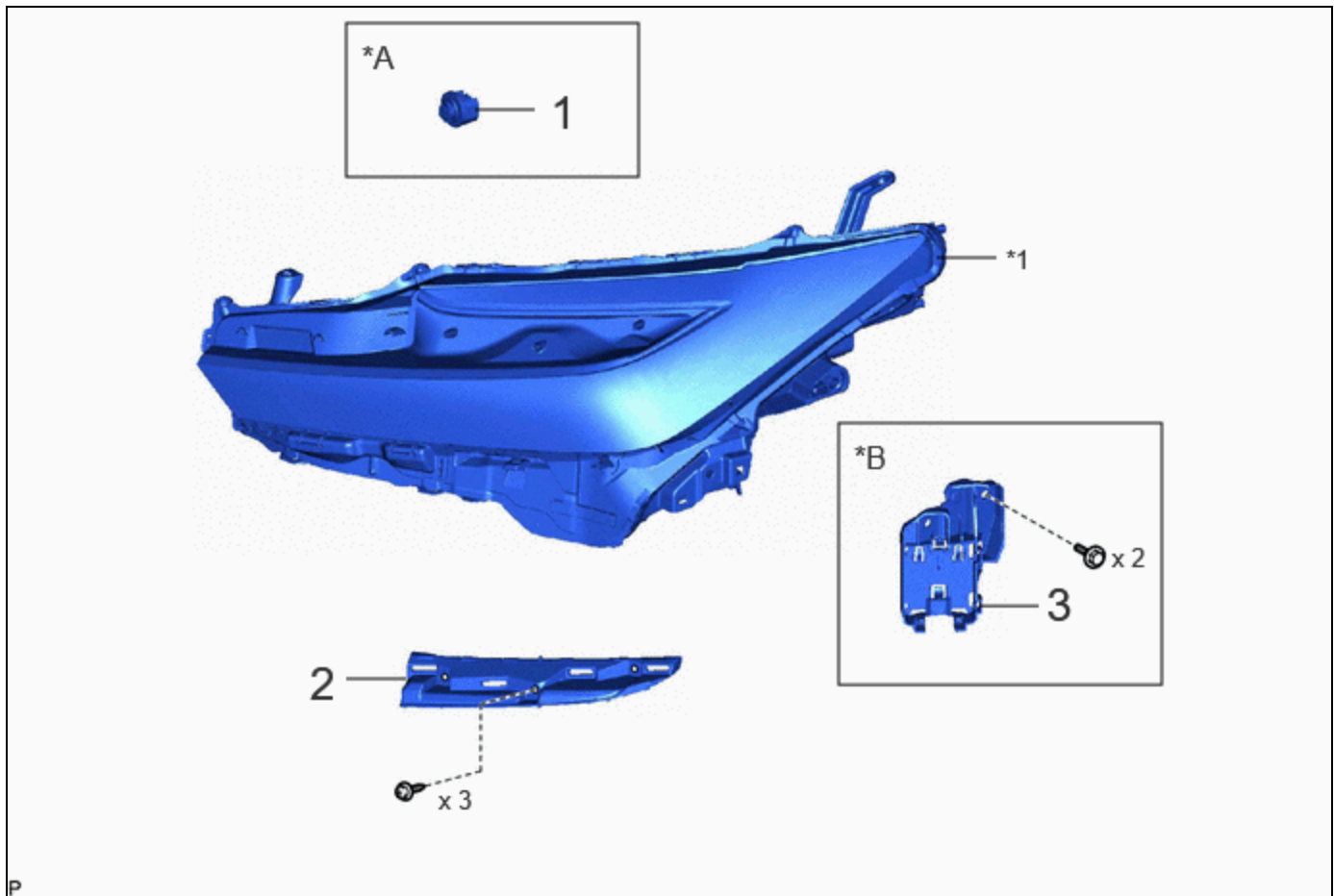
CAUTION / NOTICE / HINT

HINT:

- Use the same procedure for the RH side and LH side.
- The following procedure is for the LH side.

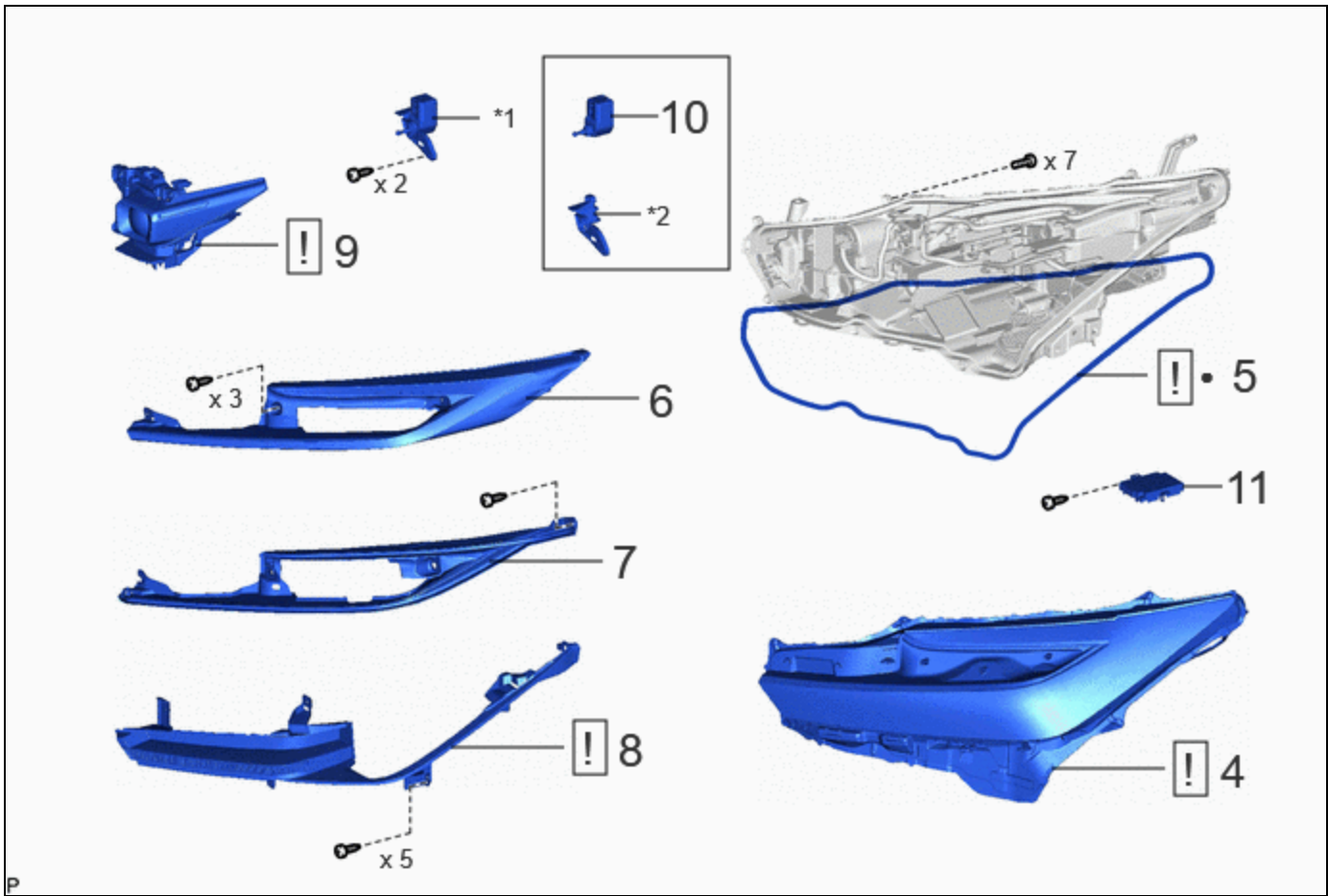
CAUTION / NOTICE / HINT

COMPONENTS (DISASSEMBLY)



	PROCEDURE	PART NAME CODE	!	📄	⚙️
1	HEADLIGHT FRONT TURN SIGNAL LED	8113A	-	-	-
2	HEADLIGHT BRACKET	53246B	-	-	-
3	FRONT SIDE RADAR SENSOR BRACKET	88215C	-	-	-

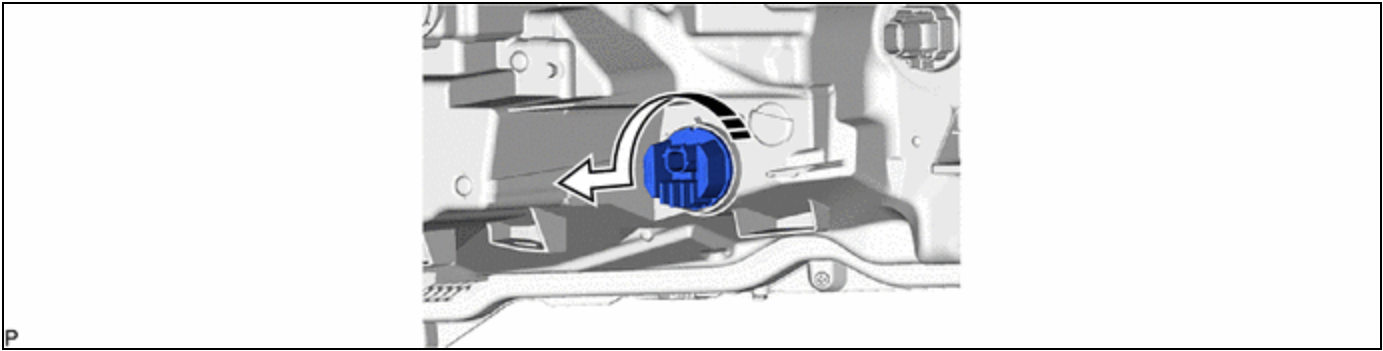
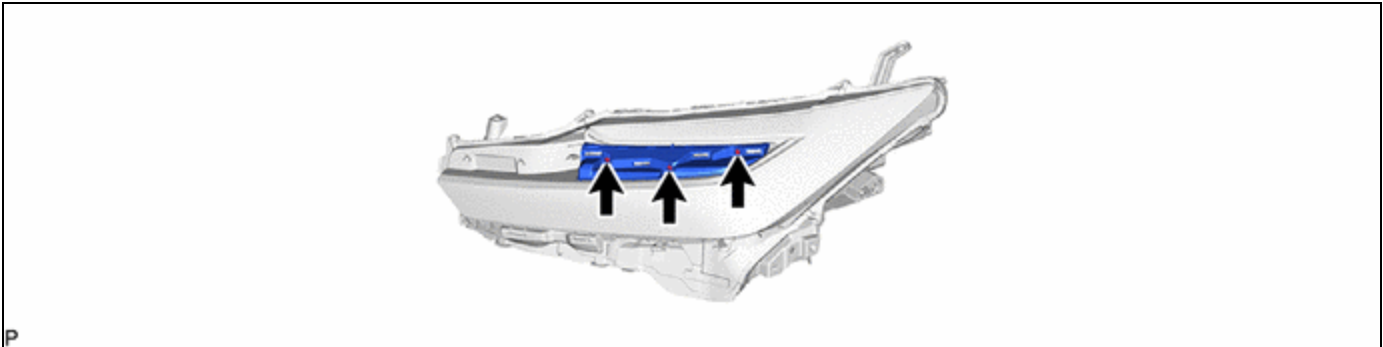
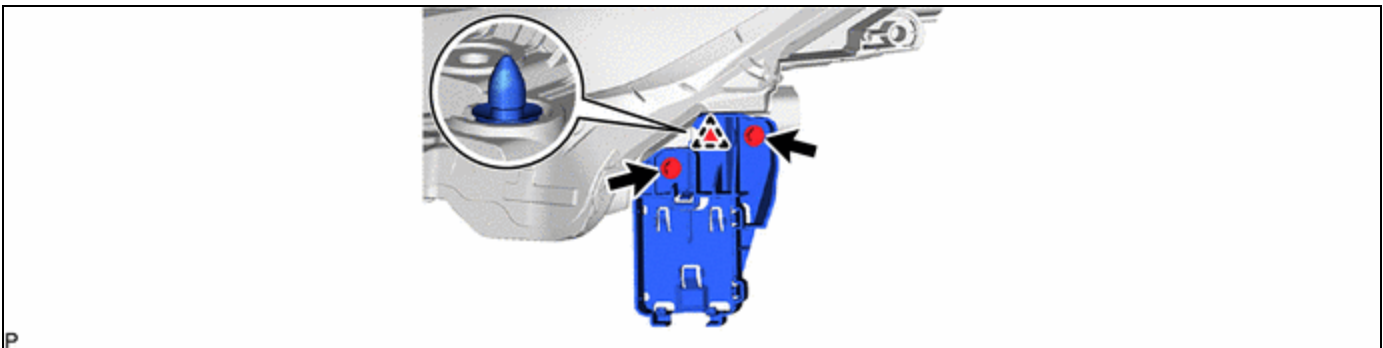
*A	w/ Front Turn Signal LED Socket	*B	w/ Front Side Radar
*1	HEADLIGHT UNIT SUB-ASSEMBLY	-	-



PROCEDURE		PART NAME CODE	!	📄	⚙️
4	HEADLIGHT LENS	81186	INFO	-	-
5	HEADLIGHT LENS GASKET	81132B	INFO	-	-
6	INNER LENS ASSEMBLY	-	-	-	-
7	REFLECTOR	-	-	-	-
8	INNER ASSEMBLY	-	INFO	-	-
9	HEADLIGHT UNIT	81175	INFO	-	-
10	HEADLIGHT LEVELING MOTOR	85691	-	-	-
11	LIGHT CONTROL LED ECU	85967D	-	-	-

*1	HEADLIGHT LEVELING MOTOR WITH BRACKET	*2	HEADLIGHT LEVELING MOTOR BRACKET
•	Non-reusable part	-	-

PROCEDURE

1. REMOVE HEADLIGHT FRONT TURN SIGNAL LED (w/ Front Turn Signal LED Socket)**2. REMOVE HEADLIGHT BRACKET****3. REMOVE FRONT SIDE RADAR SENSOR BRACKET (w/ Front Side Radar)****4. REMOVE HEADLIGHT LENS****NOTICE:**

- Make sure to wear clean rubber gloves when performing this procedure.
- Do not allow dirt or foreign matter to get on the headlight lens.
- Do not touch the inner surface of the lens and metallic surfaces as much as possible, or they may become dirty.
- Do not allow metallic surfaces to become dirty, as such surfaces become damaged even if they are only lightly wiped with a soft cloth.
- If there are any fingerprints or foreign matter on the back of the headlight lens, wipe them off with a soft cloth.
- Do not use solvent to clean components. Only clean them with a dry cloth.

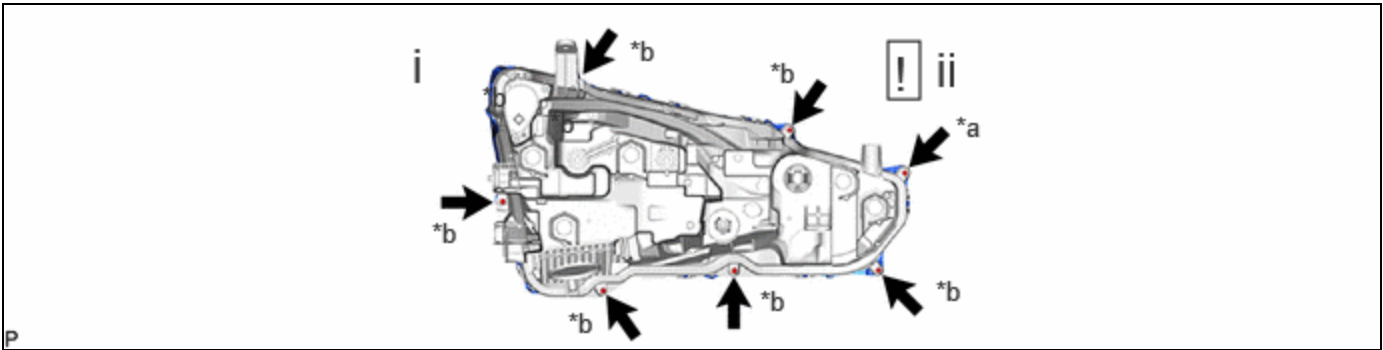
SST: 09890-47010

09891-04010

09891-04020

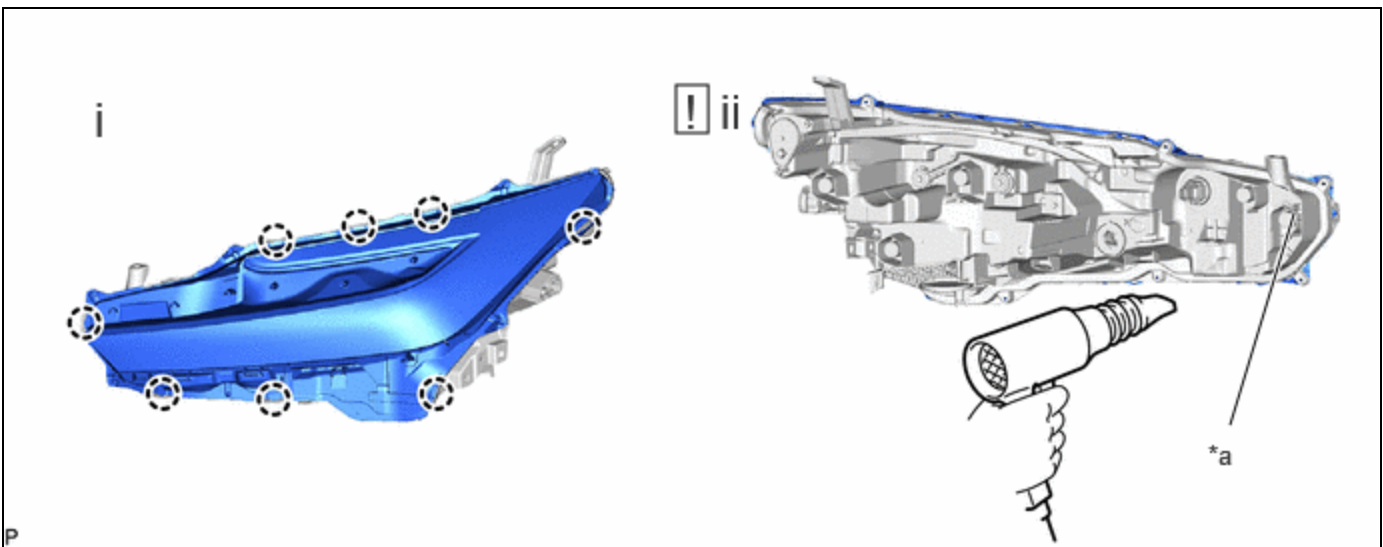
09891-04030

09891-04040



*a	"TORX" screw	*b	Screw
----	--------------	----	-------

- (1) Remove the 6 screws.
- (2) Using a T20H "TORX" driver, remove the "TORX" screw.

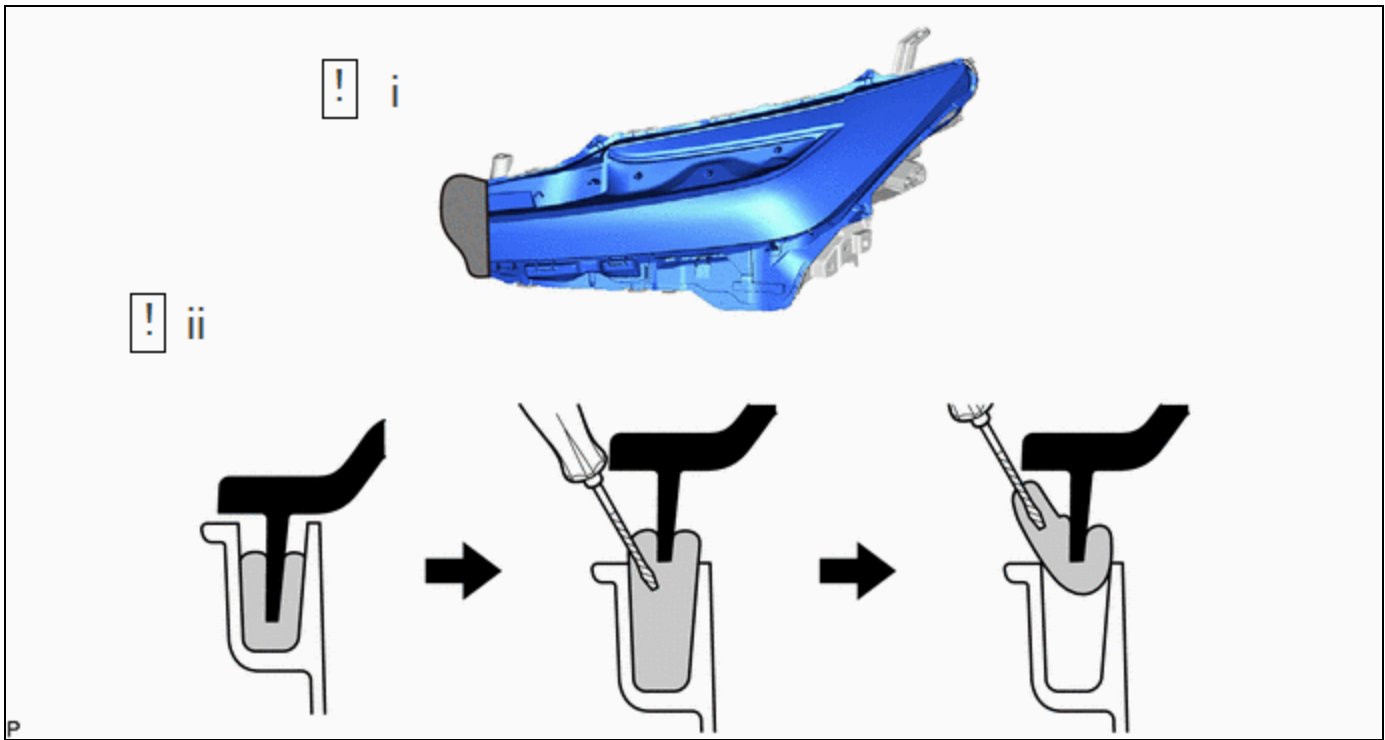






*a	Separation Starting Point	-	-
----	---------------------------	---	---

- (1) Disengage the 8 claws.
- (2) Using a dryer, warm the headlight lens gasket from the backside of the headlight unit assembly at the separation starting point of the headlight lens and headlight housing.

NOTICE:

If the headlight unit assembly is heated unevenly, it will deform or melt.



	Headlight Lens		Separation Starting Point
	Headlight Lens Gasket		Headlight Housing

(1) Insert a finger between the headlight lens and headlight housing and lift up the headlight lens.

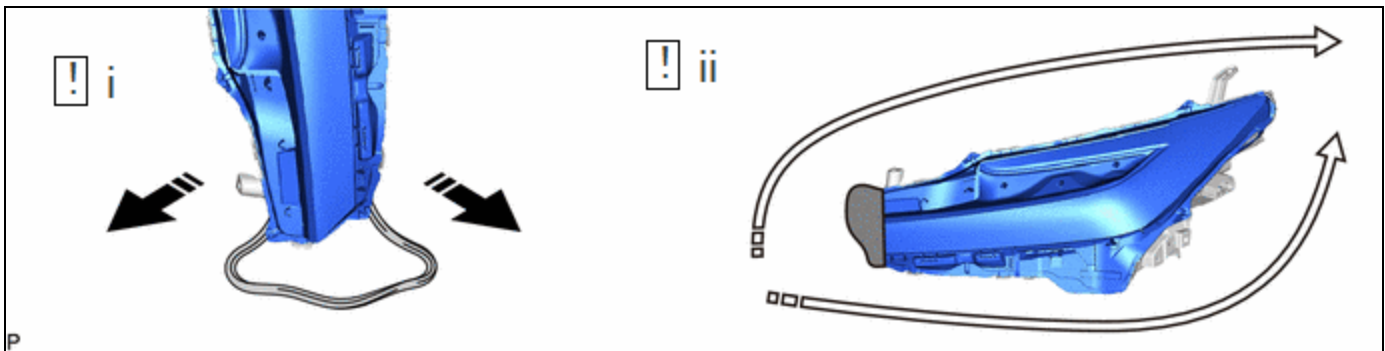
HINT:





- With all of the claws disengaged, lift up the headlight lens.
- When the headlight lens is lifted up, the claws may re-engage.

(2) Using a screwdriver with its tip wrapped with protective tape, pull out the headlight lens gasket through the opening.

NOTICE:

Do not damage the groove in the headlight housing or the headlight lens.



	Separation Starting Point		Headlight Lens Gasket
	Pull out in this Direction		Remove in this Direction


(1) Pull out the headlight lens gasket as shown in the illustration to remove the headlight lens.

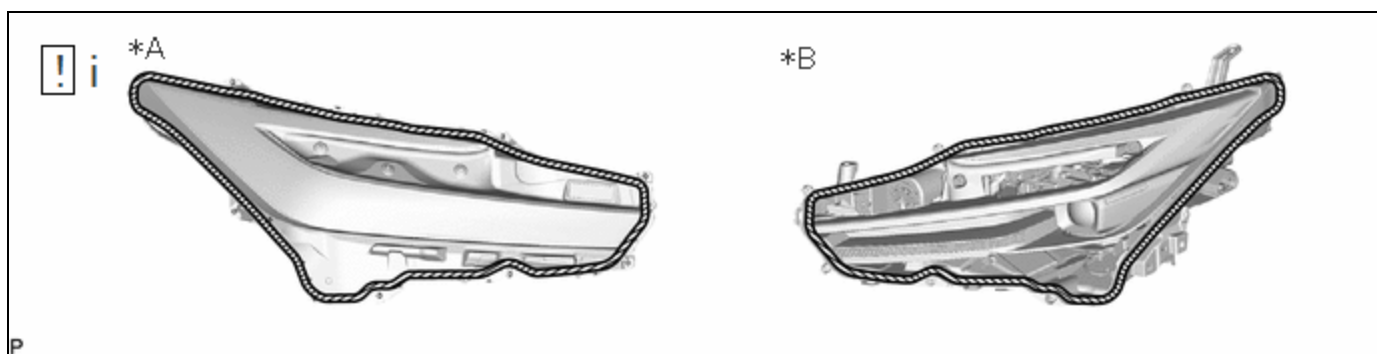
HINT:


- With all of the claws disengaged, lift up the headlight lens.
- When the headlight lens is lifted up, the claws may re-engage.
- Before lifting up the headlight lens, check that the surrounding claws have not re-engaged.
- If the headlight lens gasket is disconnected while being pulled out, lift up the headlight lens and pull the headlight lens gasket again.

(2) Remove the headlight lens from the headlight housing from the separation starting point toward the outside of the vehicle as shown in the illustration.

5. REMOVE HEADLIGHT LENS GASKET

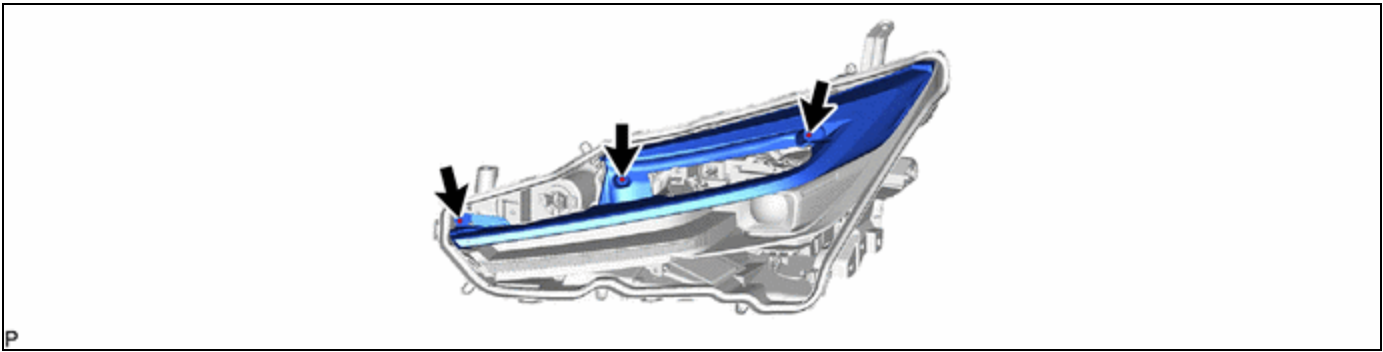
	<p>NOTICE:</p> <ul style="list-style-type: none"> • The headlight lens gasket must not be reused. • Make sure to wear clean rubber gloves when performing this procedure. • Do not touch the inner surface of the lens and metallic surfaces as much as possible, or they may become dirty. • Do not allow metallic surfaces to become dirty, as such surfaces become damaged even if they are only lightly wiped with a soft cloth. • If there are any fingerprints or foreign matter on the headlight unit or other components, wipe them off with a soft cloth. • Do not use solvent to clean components. Only clean them with a dry cloth.
--	---



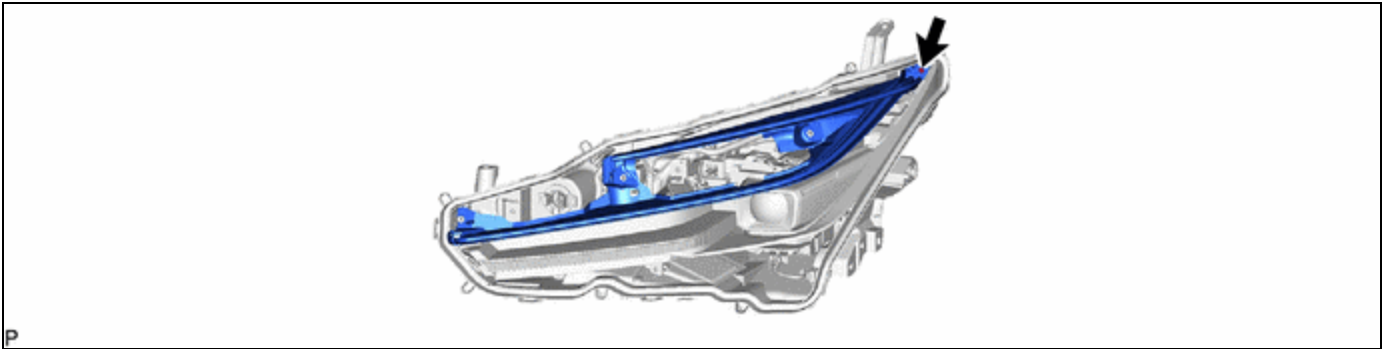
*A	Headlight Lens Side	*B	Headlight Housing Side
	Headlight Lens Gasket	-	-

(1) Remove the remaining headlight lens gasket from the headlight lens and headlight housing.

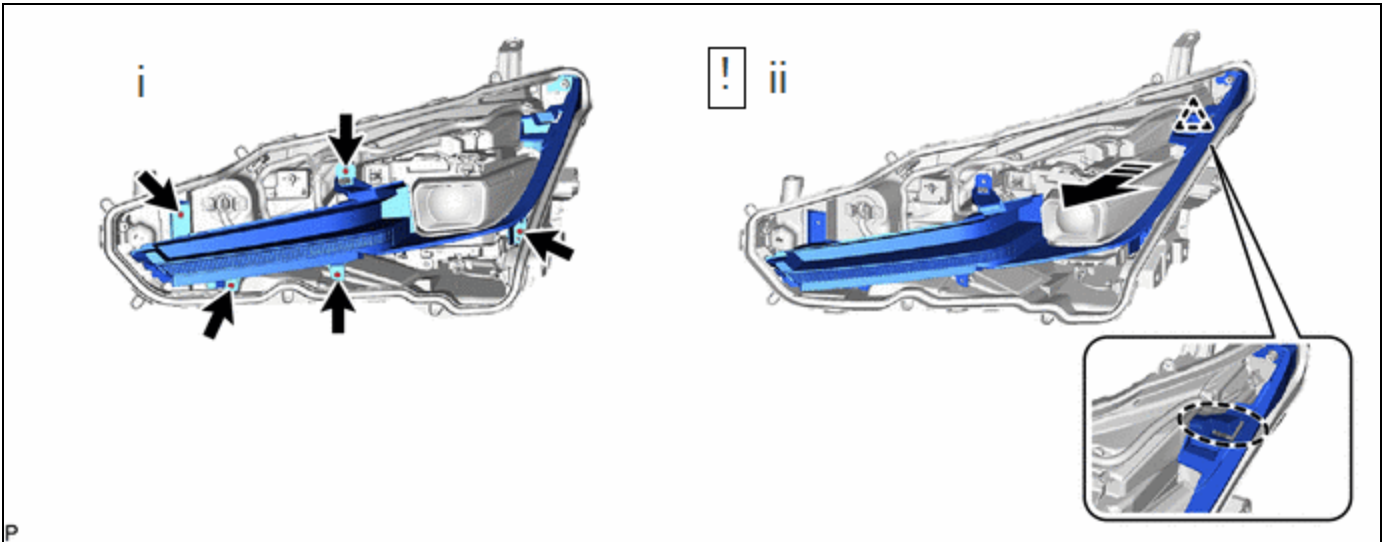
6. REMOVE INNER LENS ASSEMBLY



7. REMOVE REFLECTOR



8. REMOVE INNER ASSEMBLY



	Place Hand Here		Remove in this Direction
--	-----------------	--	--------------------------

(1) Remove the 5 screws.

(2) Disengage the clip to remove the inner assembly as shown in the illustration.

9. REMOVE HEADLIGHT UNIT

	<p>NOTICE:</p> <ul style="list-style-type: none"> • Make sure to wear clean rubber gloves when performing this procedure. • Do not allow dirt or foreign matter to get on the headlight unit or other components.
--	--

- Prevention of static electricity is required during this procedure.
- Use static electricity countermeasures SST (desktop anti-static mat set) and observe all precautions to prevent damage to the system by electrostatic discharge (ESD).
- Do not touch the headlight unit with bare hands.
- Do not allow metallic surfaces to become dirty, as such surfaces become damaged even if they are only lightly wiped with a soft cloth.
- If there are any fingerprints or foreign matter on the headlight unit or other components, wipe them off with a soft cloth.
- Do not use solvent to clean components. Only clean them with a dry cloth.

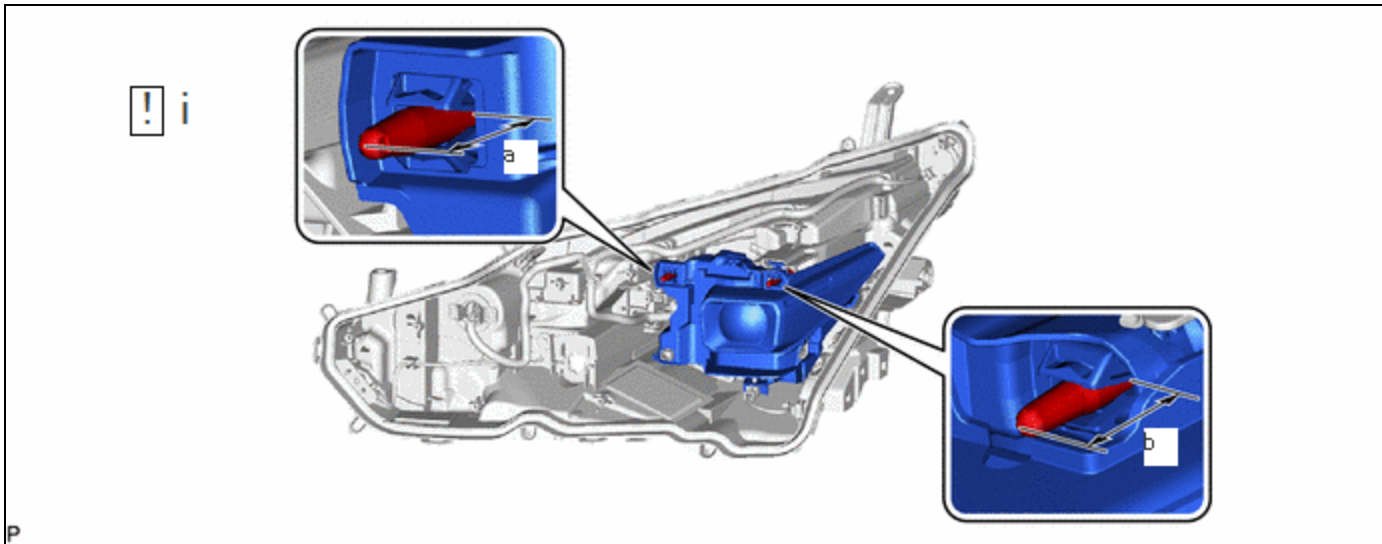
SST: 09890-47010

09891-04010

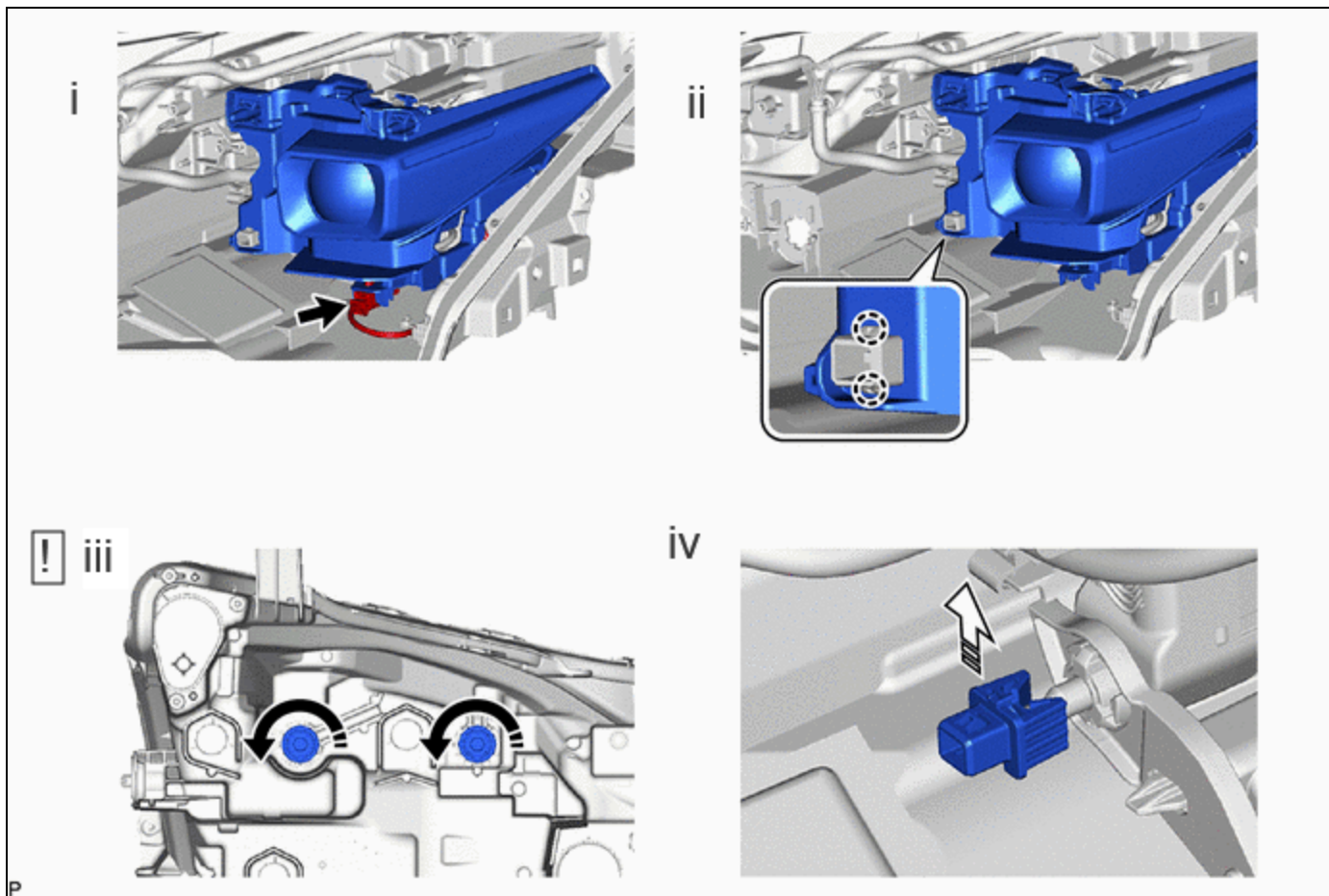
09891-04020



09891-04030

09891-04040



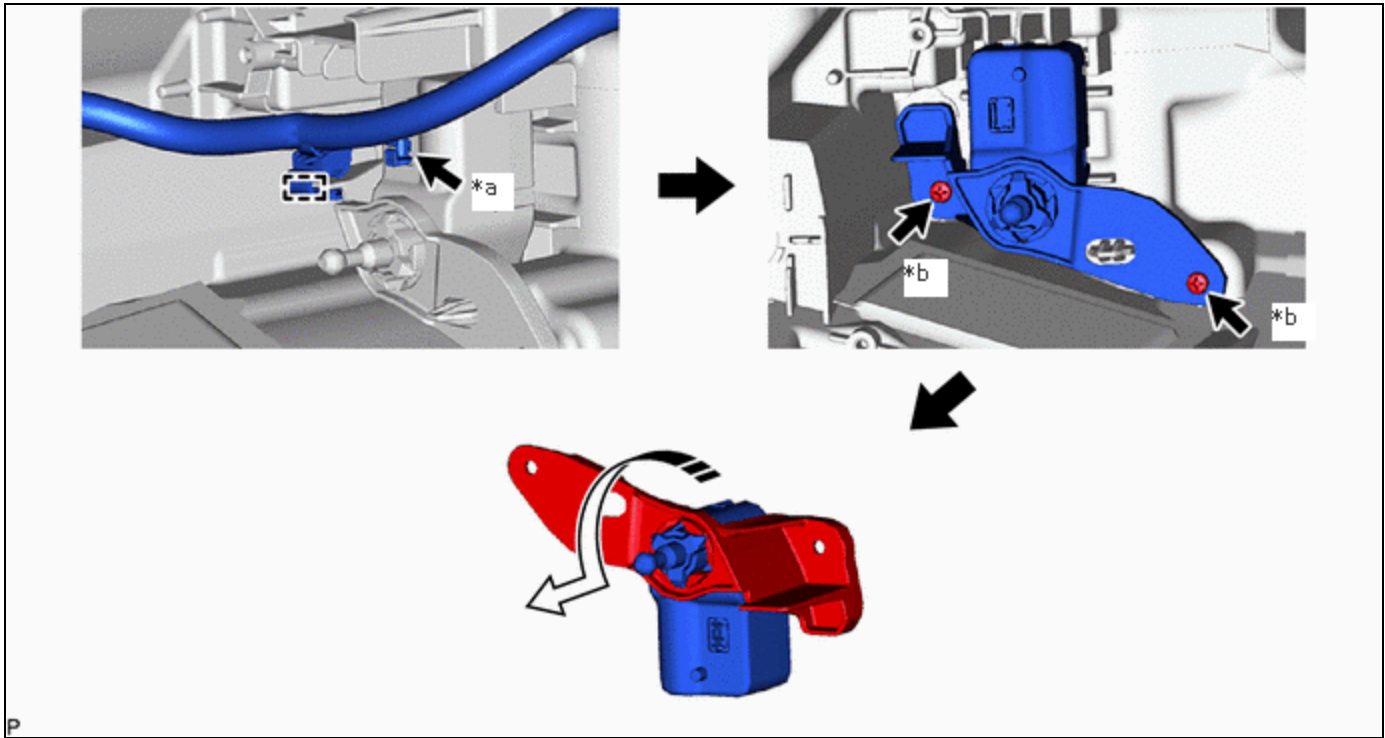
(1) Using a vernier caliper, record the dimensions of a and b shown in the illustration.



	Turn in this Direction		Remove in this Direction
---	------------------------	---	--------------------------

- (1) Disconnect the connector.
- (2) Disengage the 2 claws.
- (3) While holding the headlight unit assembly by hand, turn the aiming screws as shown in the illustration until the aiming screws are separated from the headlight unit.
- (4) Remove the pivot collar as shown in the illustration.

10. REMOVE HEADLIGHT LEVELING MOTOR



*a	Connector	*b	Screw
	Remove in this Direction	-	-

11. REMOVE LIGHT CONTROL LED ECU

