

Last Modified: 12-04-2024	6.11:8.1.0	Doc ID: RM1000000029CKI
Model Year Start: 2023	Model: Prius Prime	Prod Date Range: [12/2022 -]
Title: LIGHTING (EXT): BACK-UP LIGHT ASSEMBLY: INSPECTION; 2023 - 2024 MY Prius Prius Prime [12/2022 -]		

INSPECTION

PROCEDURE

1. INSPECT BACK-UP LIGHT ASSEMBLY LH

(a) Apply auxiliary battery voltage to the back-up light assembly LH and check that the light comes on.

OK:

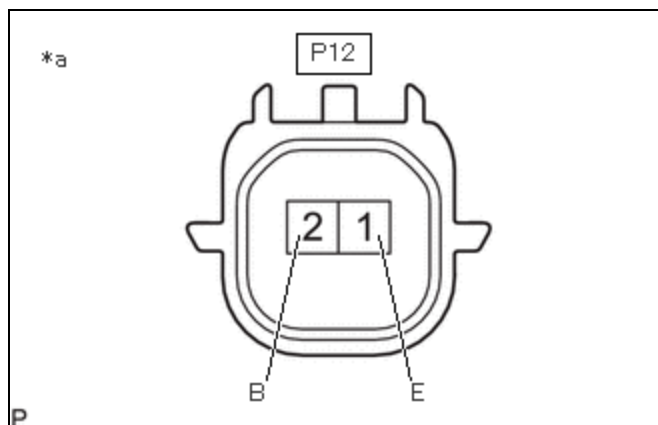


[Click Location & Routing\(P12\)](#)

[Click Connector\(P12\)](#)

TESTER CONNECTION	SPECIFIED CONDITION
Auxiliary battery positive (+) - P12-2 (B)	Back-up light comes on
Auxiliary battery negative (-) - P12-1 (E)	

If the result is not as specified, replace the back-up light assembly LH.



*a	Component without harness connected (Back-up Light Assembly LH)
----	---

2. INSPECT BACK-UP LIGHT ASSEMBLY RH

(a) Apply auxiliary battery voltage to the back-up light assembly RH and check that the light comes on.

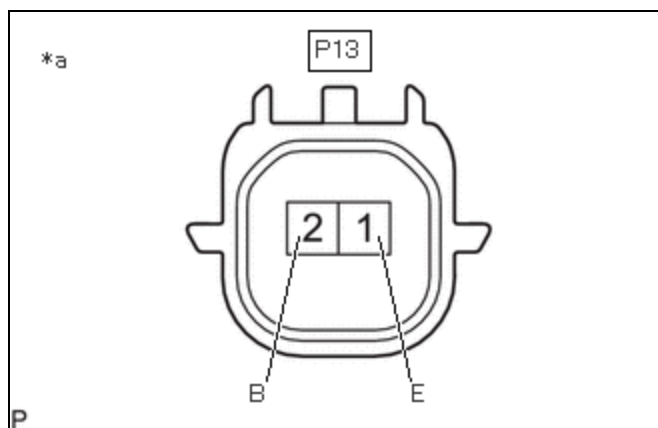
OK:



[Click Location & Routing\(P13\)](#)

[Click Connector\(P13\)](#)

TESTER CONNECTION	SPECIFIED CONDITION
Auxiliary battery positive (+) - P13-2 (B)	Back-up light comes on
Auxiliary battery negative (-) - P13-1 (E)	



*a	Component without harness connected (Back-up Light Assembly RH)
----	---

If the result is not as specified, replace the back-up light assembly RH.

