

<b>Last Modified:</b> 12-04-2024	6.11:8.1.0	<b>Doc ID:</b> RM10000000293TV
<b>Model Year Start:</b> 2023	<b>Model:</b> Prius Prime	<b>Prod Date Range:</b> [12/2022 - ]
<b>Title:</b> HORN: HORN: REMOVAL; 2023 - 2024 MY Prius Prius Prime [12/2022 - ]		

## REMOVAL

### CAUTION / NOTICE / HINT

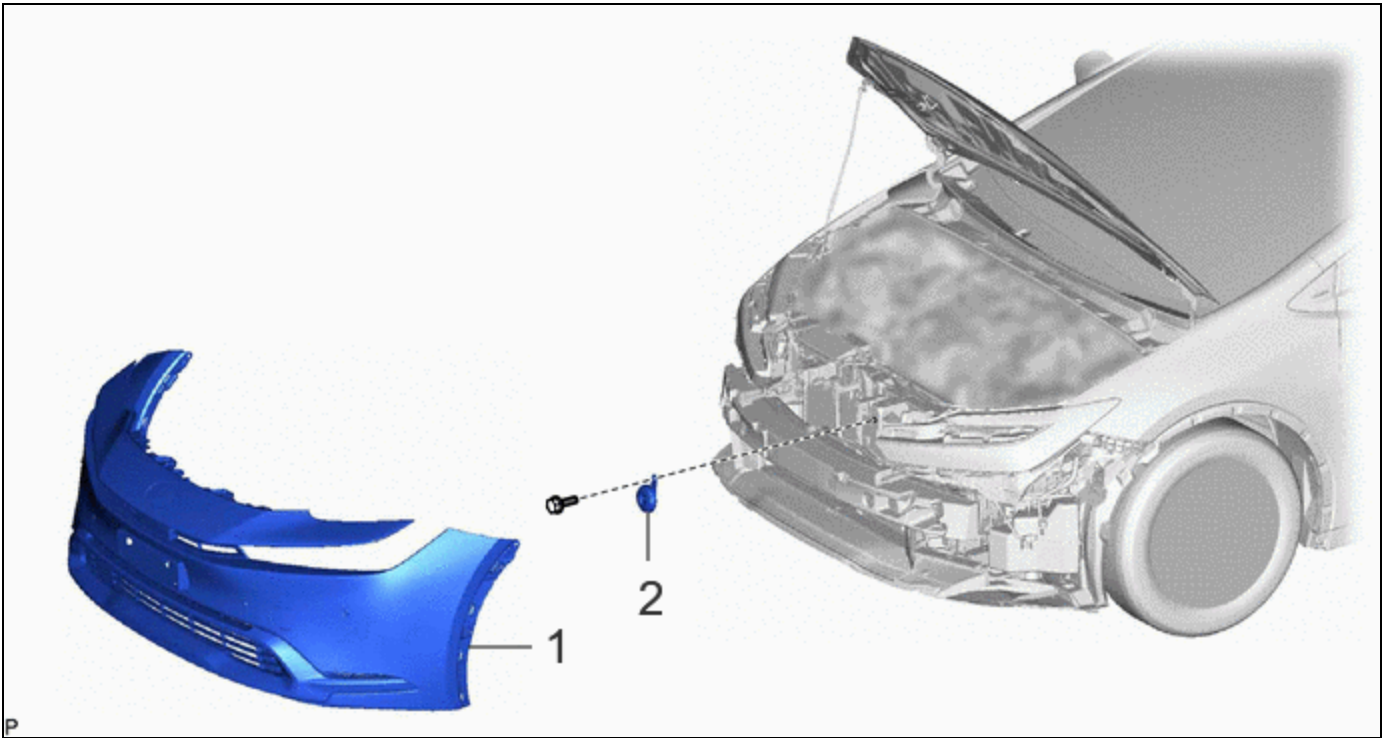
The necessary procedures (adjustment, calibration, initialization or registration) that must be performed after parts are removed and installed, or replaced during low pitched horn assembly removal/installation are shown below.




#### **Necessary Procedures After Parts Removed/Installed/Replaced**

REPLACED PART OR PERFORMED PROCEDURE	NECESSARY PROCEDURES	EFFECT/INOPERATIVE FUNCTION WHEN NECESSARY PROCEDURES ARE NOT PERFORMED	LINK
<ul style="list-style-type: none"> <li>• Front bumper assembly*</li> </ul>	Front television camera view adjustment	Panoramic View Monitor System	<a href="#">INFO</a>
		Advanced Park	<a href="#">INFO</a>
<b>Replacement or removal and installation of 2 or more parts:</b> <ul style="list-style-type: none"> <li>• Front television camera assembly, Radiator grille or Front bumper assembly</li> <li>• Rear television camera assembly</li> <li>• Side television camera assembly LH, Parking assist light LH or Outer rear view mirror assembly LH</li> <li>• Side television camera assembly RH, Parking assist light RH or Outer rear view mirror assembly RH</li> </ul>	Television camera view adjustment	Panoramic View Monitor System	<a href="#">INFO</a>
*: Even when not replacing the part, it is necessary to perform the specified necessary procedures after installation.			

### CAUTION / NOTICE / HINT

#### **COMPONENTS (REMOVAL)**



PROCEDURE		PART NAME CODE			
1	FRONT BUMPER ASSEMBLY	-	-	-	-
2	LOW PITCHED HORN ASSEMBLY	86520	-	-	-

## PROCEDURE

### 1. REMOVE FRONT BUMPER ASSEMBLY

Click here [INFO](#)

### 2. REMOVE LOW PITCHED HORN ASSEMBLY

