

Last Modified: 12-04-2024	6.11:8.1.0	Doc ID: RM10000000293TY
Model Year Start: 2023	Model: Prius Prime	Prod Date Range: [12/2022 -]
Title: HORN: RELAY: ON-VEHICLE INSPECTION; 2023 - 2024 MY Prius Prius Prime [12/2022 -]		

ON-VEHICLE INSPECTION

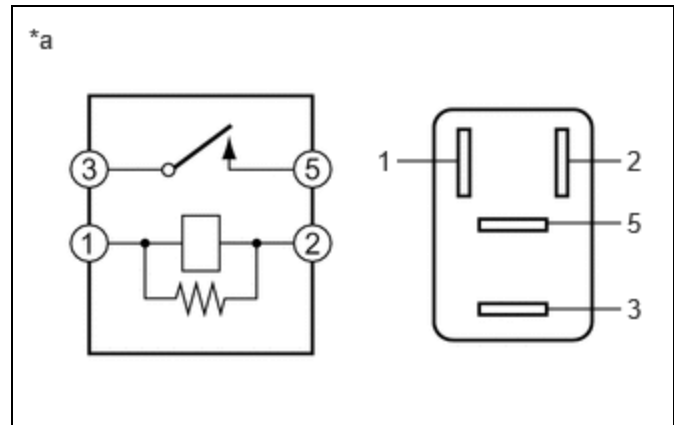
PROCEDURE

1. INSPECT HORN RELAY

(a) Measure the resistance according to the value(s) in the table below.

Standard Resistance:

TESTER CONNECTION	CONDITION	SPECIFIED CONDITION	RESULT
3 - 5	Auxiliary battery voltage not applied between terminals 1 and 2	10 kΩ or higher	kΩ
3 - 5	Auxiliary battery voltage applied between terminals 1 and 2	Below 1 Ω	Ω



*a Component without harness connected (HORN Relay)

If the result is not as specified, replace the HORN relay.

