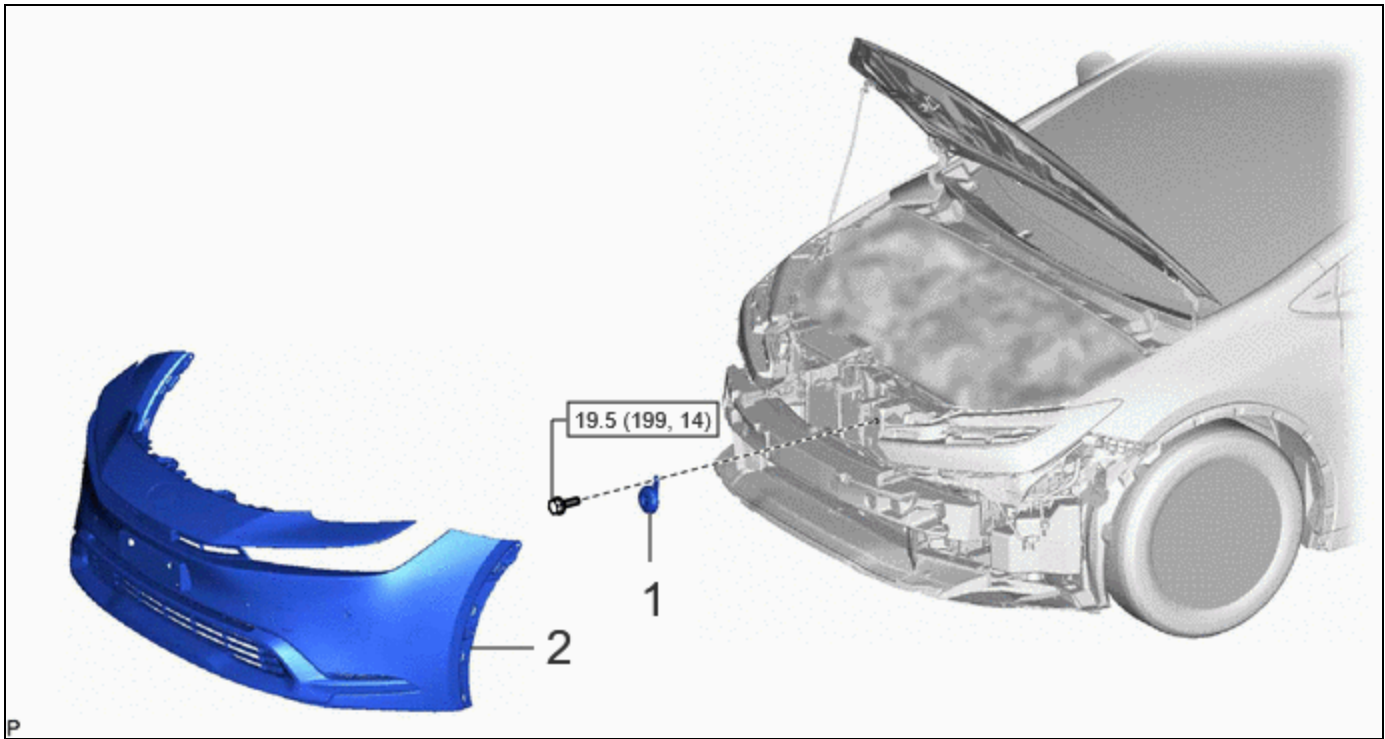


| | | |
|---|---------------------------|--------------------------------------|
| Last Modified: 12-04-2024 | 6.11:8.1.0 | Doc ID: RM10000000293TX |
| Model Year Start: 2023 | Model: Prius Prime | Prod Date Range: [12/2022 -] |
| Title: HORN: HORN: INSTALLATION; 2023 - 2024 MY Prius Prius Prime [12/2022 -] | | |

INSTALLATION

CAUTION / NOTICE / HINT

COMPONENTS (INSTALLATION)



| | PROCEDURE | PART NAME CODE | ! | 📄 | ⚙️ |
|---|---------------------------|----------------|---|---|----|
| 1 | LOW PITCHED HORN ASSEMBLY | 86520 | - | - | - |
| 2 | FRONT BUMPER ASSEMBLY | - | - | - | - |

| | | | |
|--|---|---|---|
| | N*m (kgf*cm, ft.*lbf): Specified torque | - | - |
|--|---|---|---|

PROCEDURE

1. INSTALL LOW PITCHED HORN ASSEMBLY

Torque:

19.5 N·m {199 kgf·cm, 14 ft·lbf}

2. INSTALL FRONT BUMPER ASSEMBLY

Click here [INFO](#)

