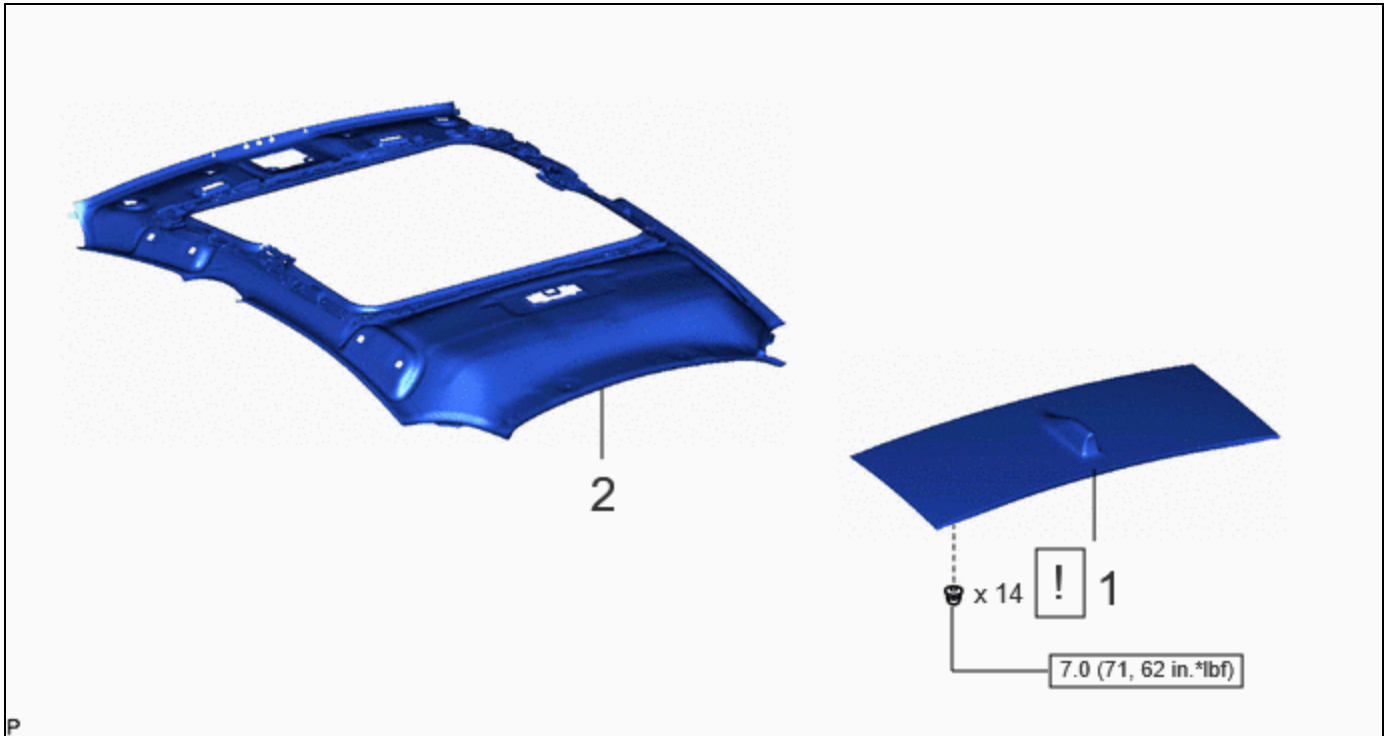


Last Modified: 12-04-2024	6.11:8.1.0	Doc ID: RM1000000029LDV
Model Year Start: 2023	Model: Prius Prime	Prod Date Range: [12/2022 -]
Title: EXTERIOR PANELS / TRIM: ROOF GARNISH: INSTALLATION; 2023 - 2024 MY Prius Prius Prime [12/2022 -]		

INSTALLATION

CAUTION / NOTICE / HINT

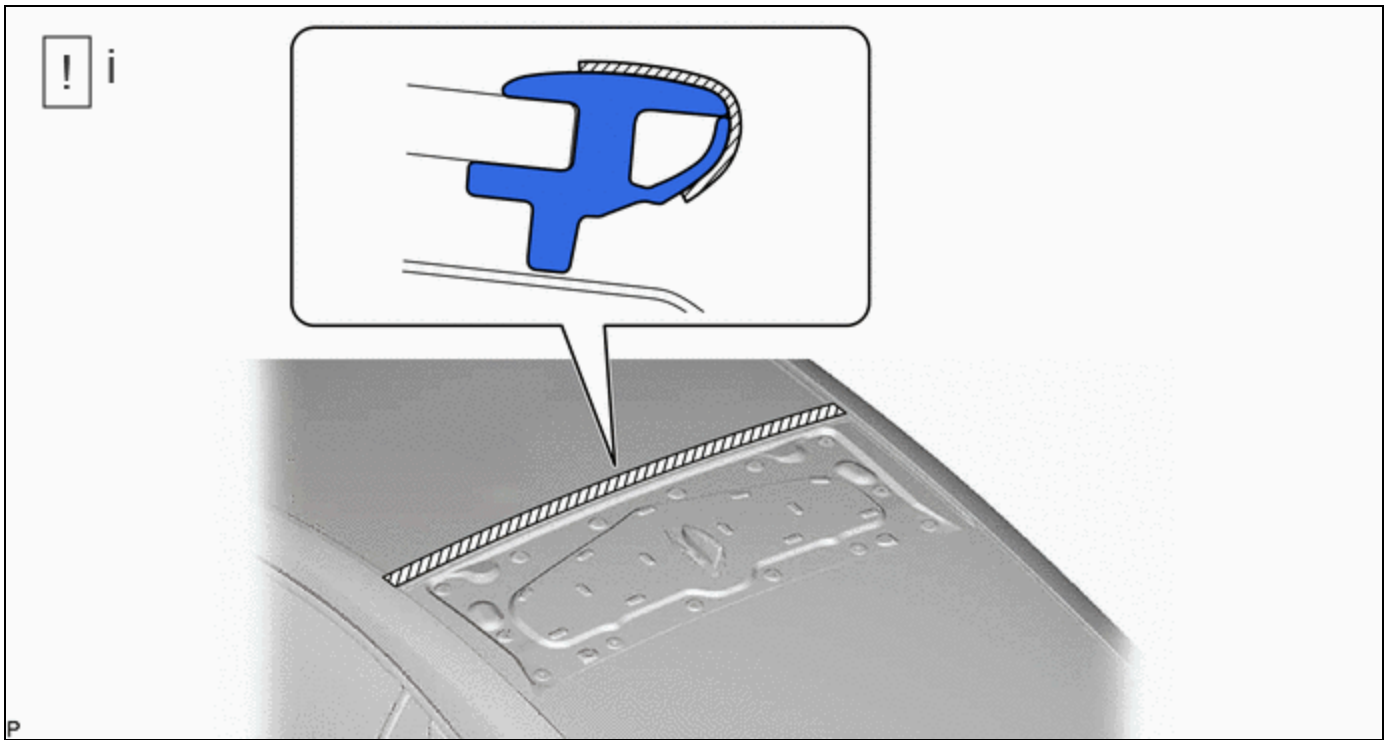
COMPONENTS (INSTALLATION)




	PROCEDURE	PART NAME CODE			
1	ROOF TOP MOULDING SUB-ASSEMBLY	75607B	INFO	-	-
2	ROOF HEADLINING ASSEMBLY	-	-	-	-

PROCEDURE

1. INSTALL ROOF TOP MOULDING SUB-ASSEMBLY

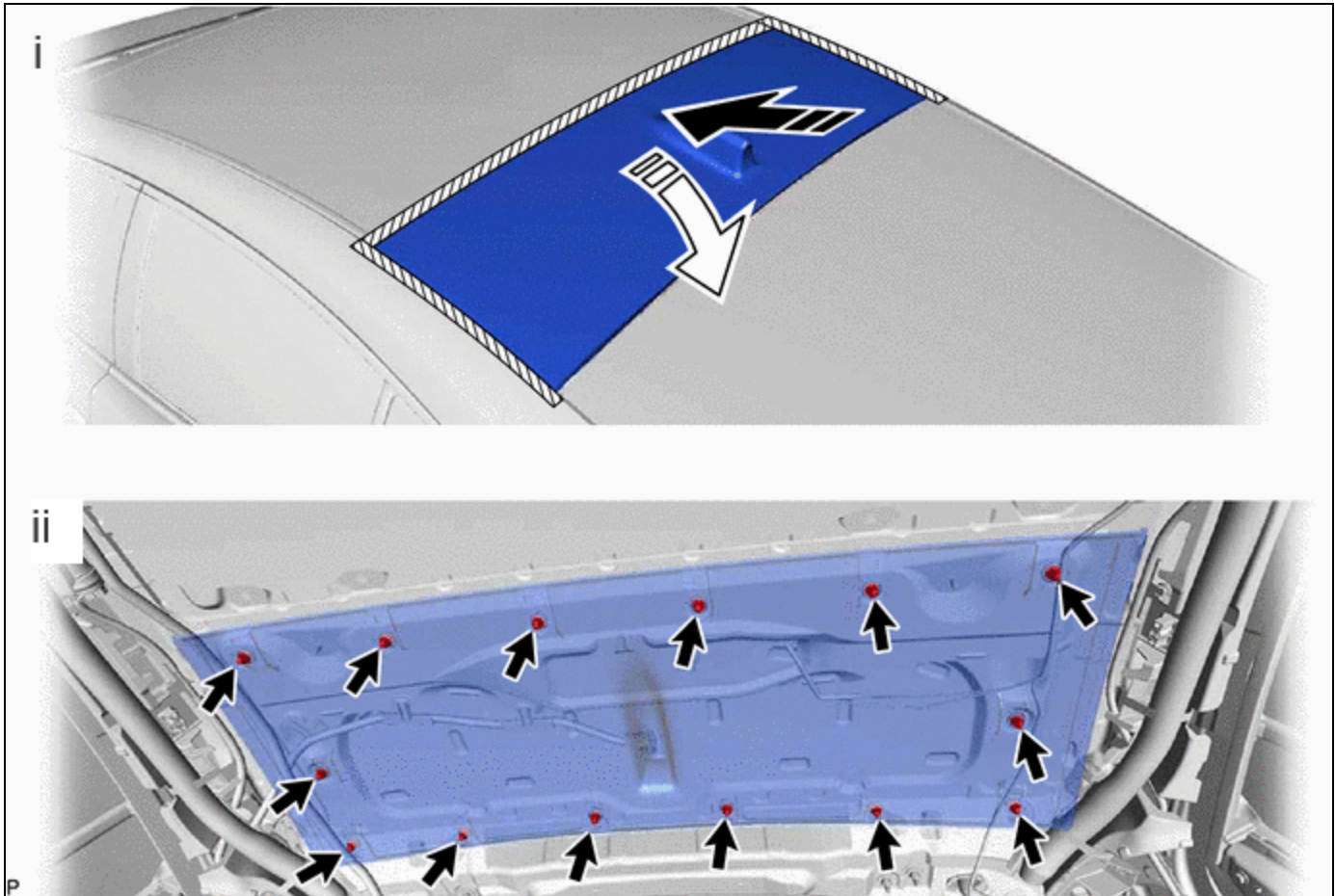


	Protective Tape	-	-
---	-----------------	---	---

(1) Pull back the front moon roof moulding and secure it with protective tape as shown in the illustration.

NOTICE:

Be careful not to damage the front moon roof moulding.



	Install in this Direction (1)		Install in this Direction (2)
--	-------------------------------	--	-------------------------------

(1) Temporarily install the roof top moulding sub-assembly as shown in the illustration.

(2) Install the roof top moulding sub-assembly with the 14 nuts.

Torque:

7.0 N·m {71 kgf·cm, 62 in·lbf}

2. INSTALL ROOF HEADLINING ASSEMBLY

Click here [INFO](#)

