

Last Modified: 12-04-2024	6.11:8.1.0	Doc ID: RM1000000029LCV
Model Year Start: 2023	Model: Prius Prime	Prod Date Range: [12/2022 -]
Title: EXTERIOR PANELS / TRIM: REAR BUMPER: REMOVAL; 2023 - 2024 MY Prius Prius Prime [12/2022 -]		

REMOVAL

CAUTION / NOTICE / HINT

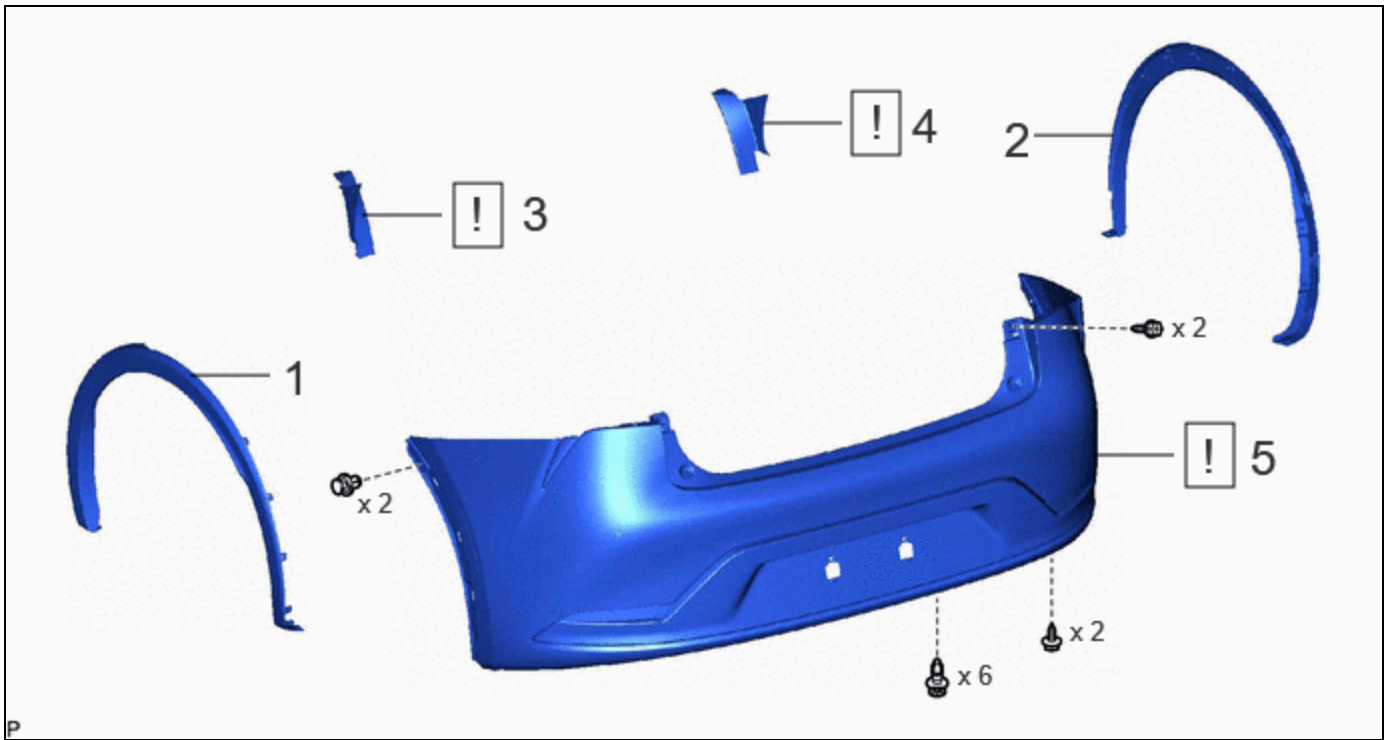
The necessary procedures (adjustment, calibration, initialization or registration) that must be performed after parts are removed and installed, or replaced during rear bumper assembly removal/installation are shown below.

HINT:

- When the rear bumper is damaged or deformed due to an accident or contact with other objects, etc., or the bumper installation area on the body is repaired, it is necessary to perform ultrasonic sensor detection angle measurement.
 - w/ Parking Support Brake System:
[Click here](#) **INFO**
 - w/ Advanced Park:
[Click here](#) **INFO**
- If the bumper is damaged, there is a possibility that the installation area of the blind spot monitor sensor may be deformed and the blind spot monitor system may not operate correctly, so visually inspect the blind spot monitor sensor installation area (frame, stud bolt) to make sure it is not dented or bent.
- If a problem is found during the visual inspection, check the installation condition of the blind spot monitor sensor, and adjust the installation position of the blind spot monitor sensor as necessary.
 - Driving Adjustment:
[Click here](#) **INFO**
 - Target Adjustment (Triangle Target):
[Click here](#) **INFO**

CAUTION / NOTICE / HINT

COMPONENTS (REMOVAL)



PROCEDURE		PART NAME CODE			
1	QUARTER OUTSIDE MOULDING SUB-ASSEMBLY LH	75606B	-	-	-
2	QUARTER OUTSIDE MOULDING SUB-ASSEMBLY RH	75605B	-	-	-
3	REAR COMBINATION LIGHT COVER LH	81498	INFO	-	-
4	REAR COMBINATION LIGHT COVER RH	81497	INFO	-	-
5	REAR BUMPER ASSEMBLY	-	INFO	-	-

PROCEDURE

1. REMOVE QUARTER OUTSIDE MOULDING SUB-ASSEMBLY LH

Click here [INFO](#)

2. REMOVE QUARTER OUTSIDE MOULDING SUB-ASSEMBLY RH

(a) Use the same procedure as for the LH side.

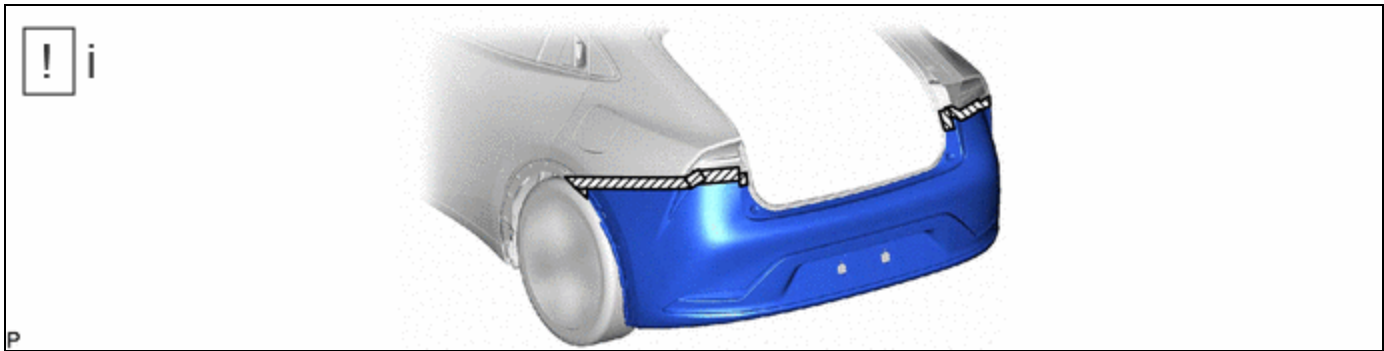
3. REMOVE REAR COMBINATION LIGHT COVER LH

	Click here INFO
--	---------------------------------

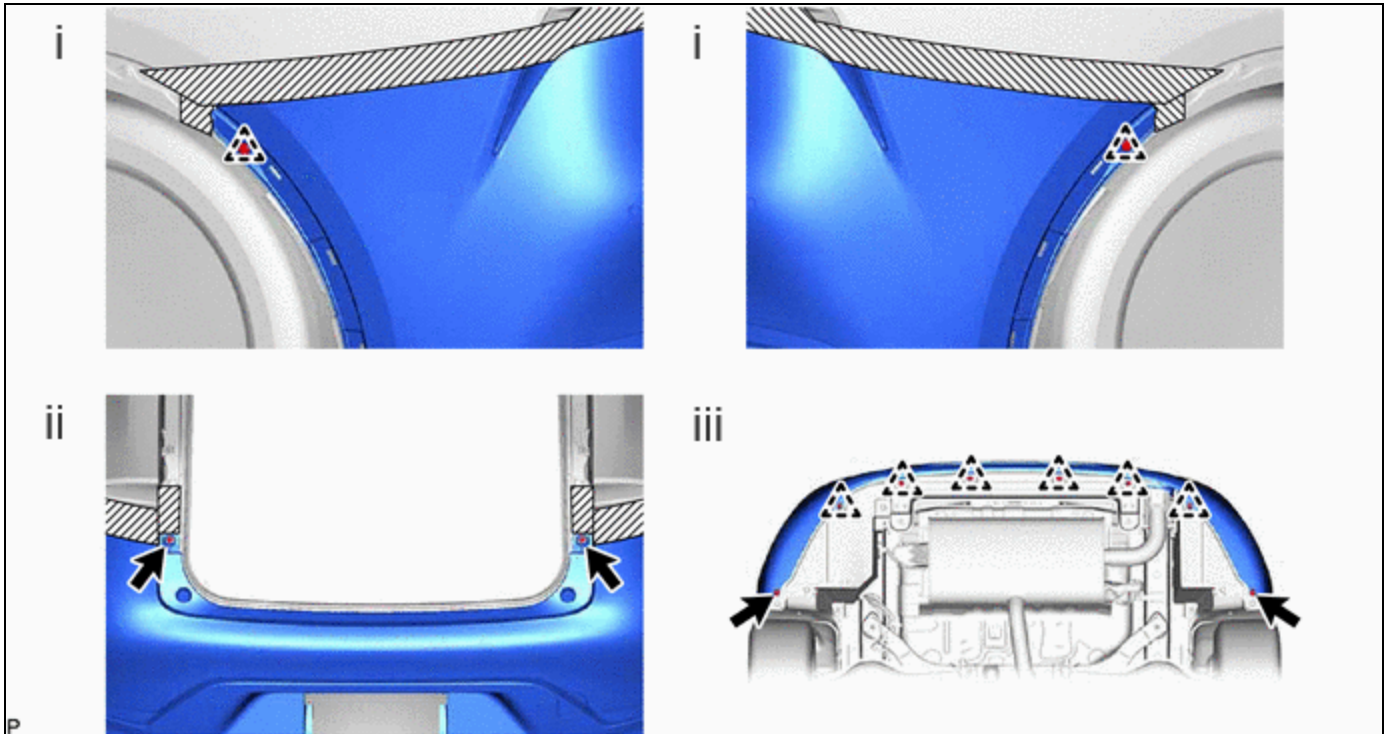
4. REMOVE REAR COMBINATION LIGHT COVER RH

(a) Use the same procedure as for the LH side.

5. REMOVE REAR BUMPER ASSEMBLY



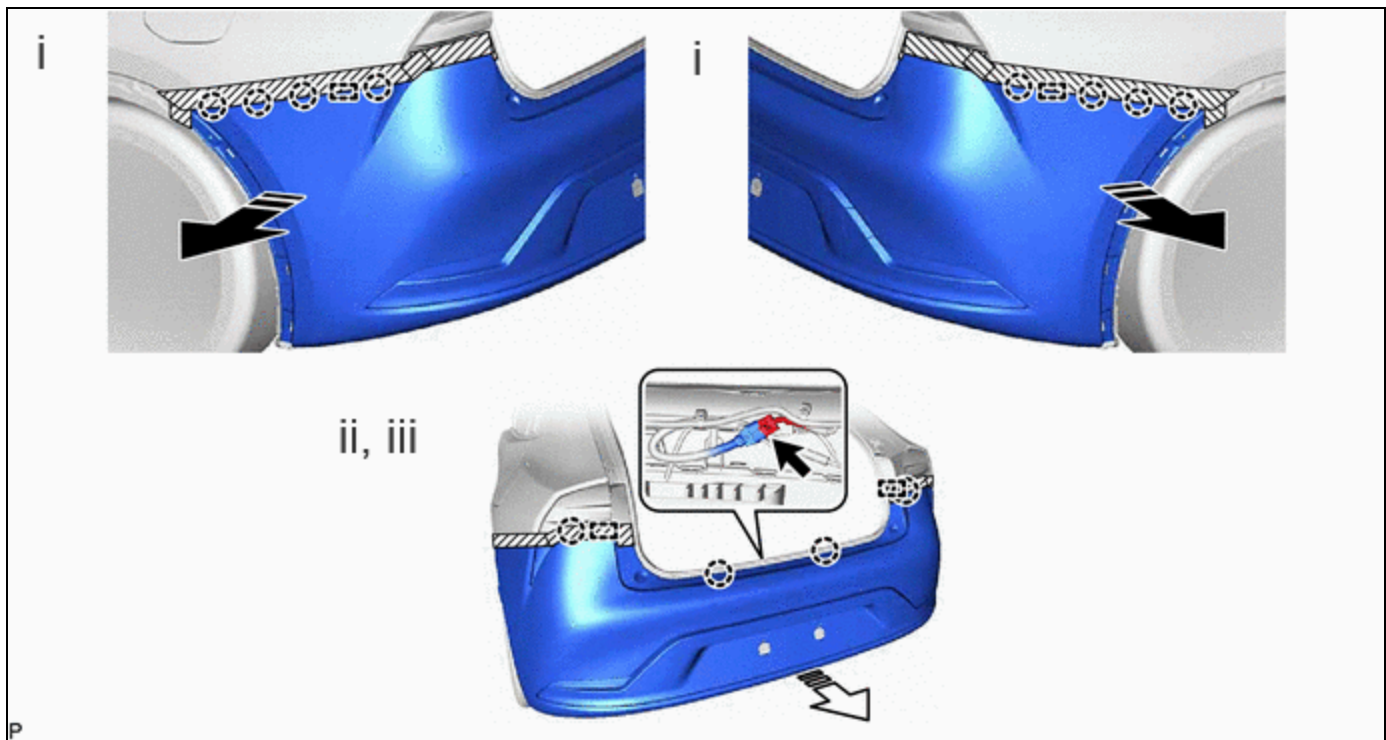
(1) Apply protective tape around the rear bumper assembly as shown in the illustration.





(1) Remove the 2 clips.

(2) Remove the 2 screws.

(3) Remove the 6 clips and 2 screws.



	Remove in this Direction (1)		Remove in this Direction (2)
---	------------------------------	---	------------------------------

- (1) Disengage the 8 claws and 2 guides.
- (2) Disengage the 4 claws and 2 guides.
- (3) Disconnect the connector and remove the rear bumper assembly.

