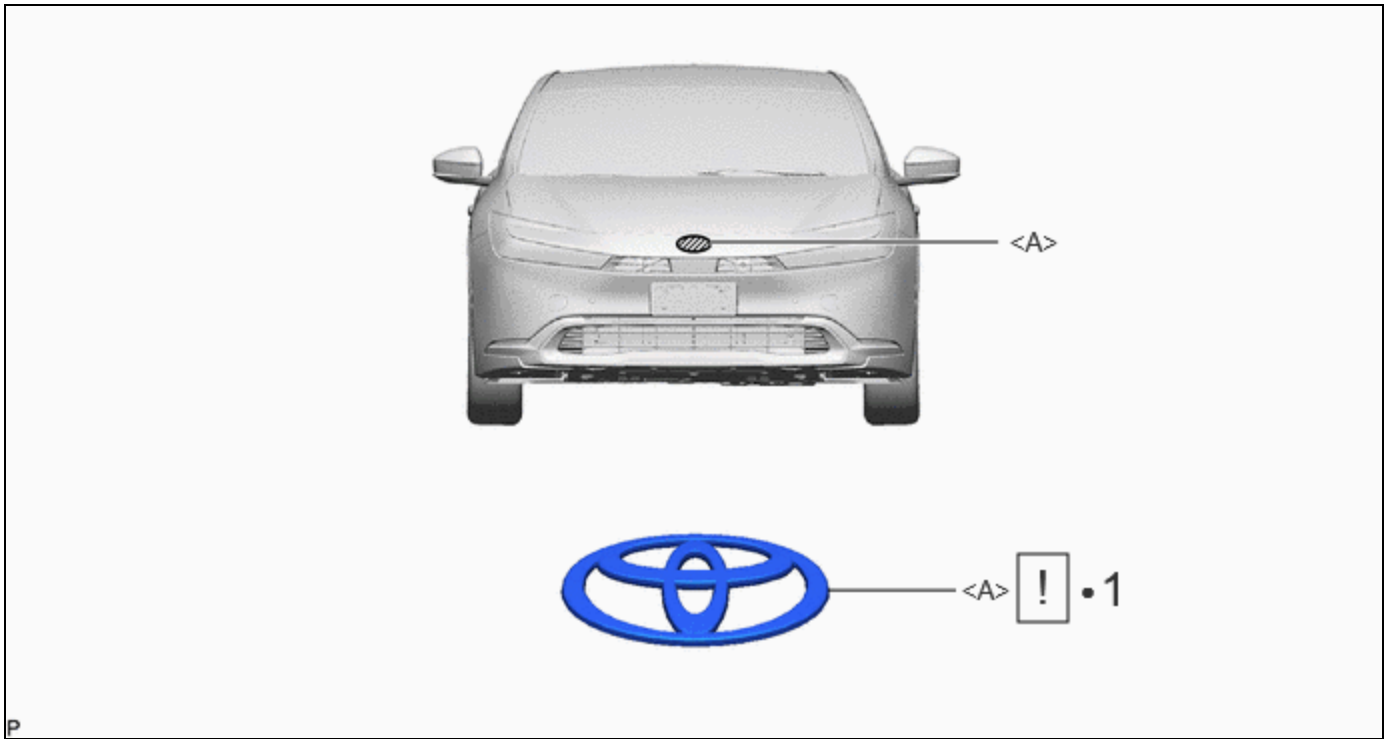


<b>Last Modified:</b> 12-04-2024	6.11:8.1.0	<b>Doc ID:</b> RM100000002B1HD
<b>Model Year Start:</b> 2023	<b>Model:</b> Prius Prime	<b>Prod Date Range:</b> [03/2023 - ]
<b>Title:</b> EXTERIOR PANELS / TRIM: NAME PLATE: REMOVAL; 2023 - 2024 MY Prius Prius Prime [03/2023 - ]		

## REMOVAL

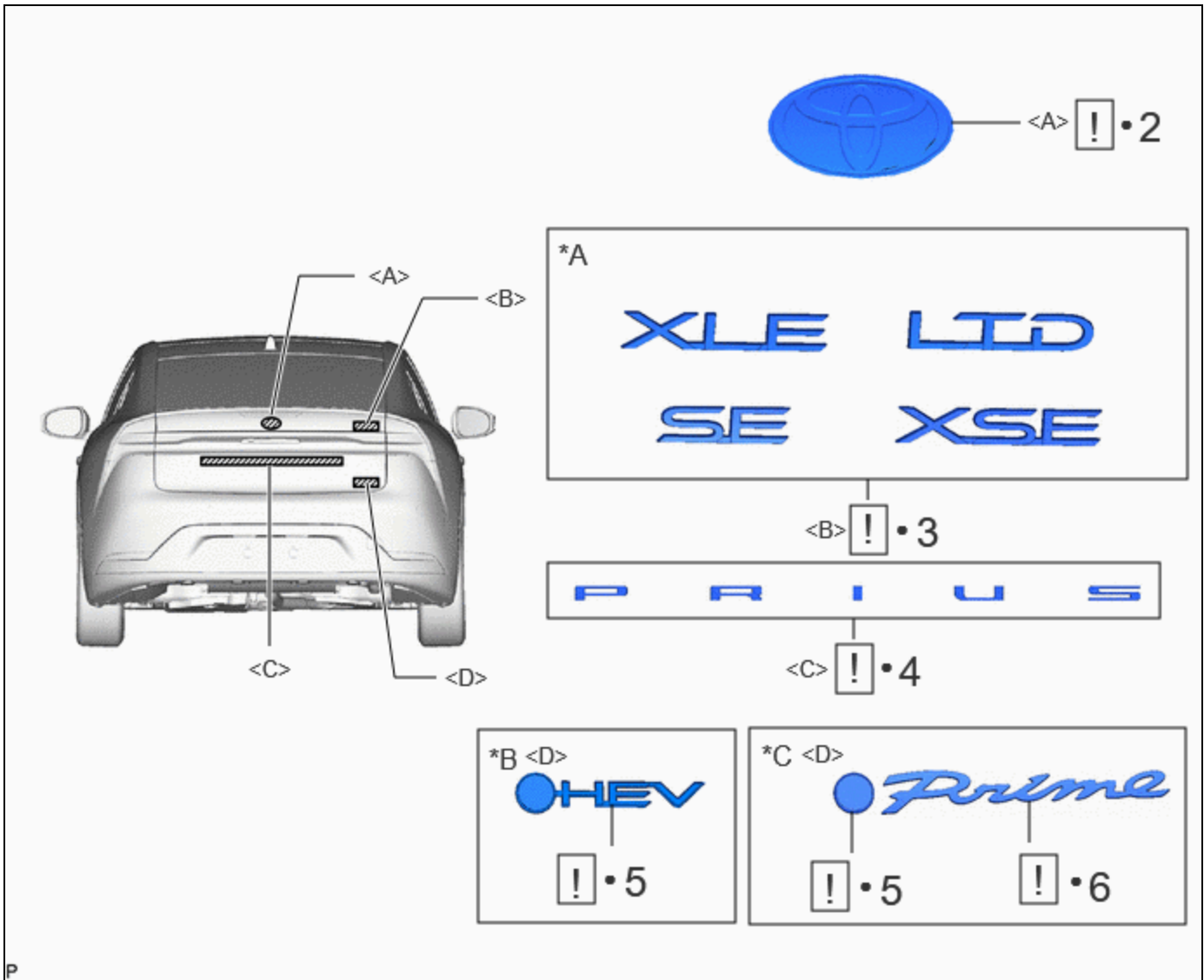
### CAUTION / NOTICE / HINT

#### COMPONENTS (REMOVAL)



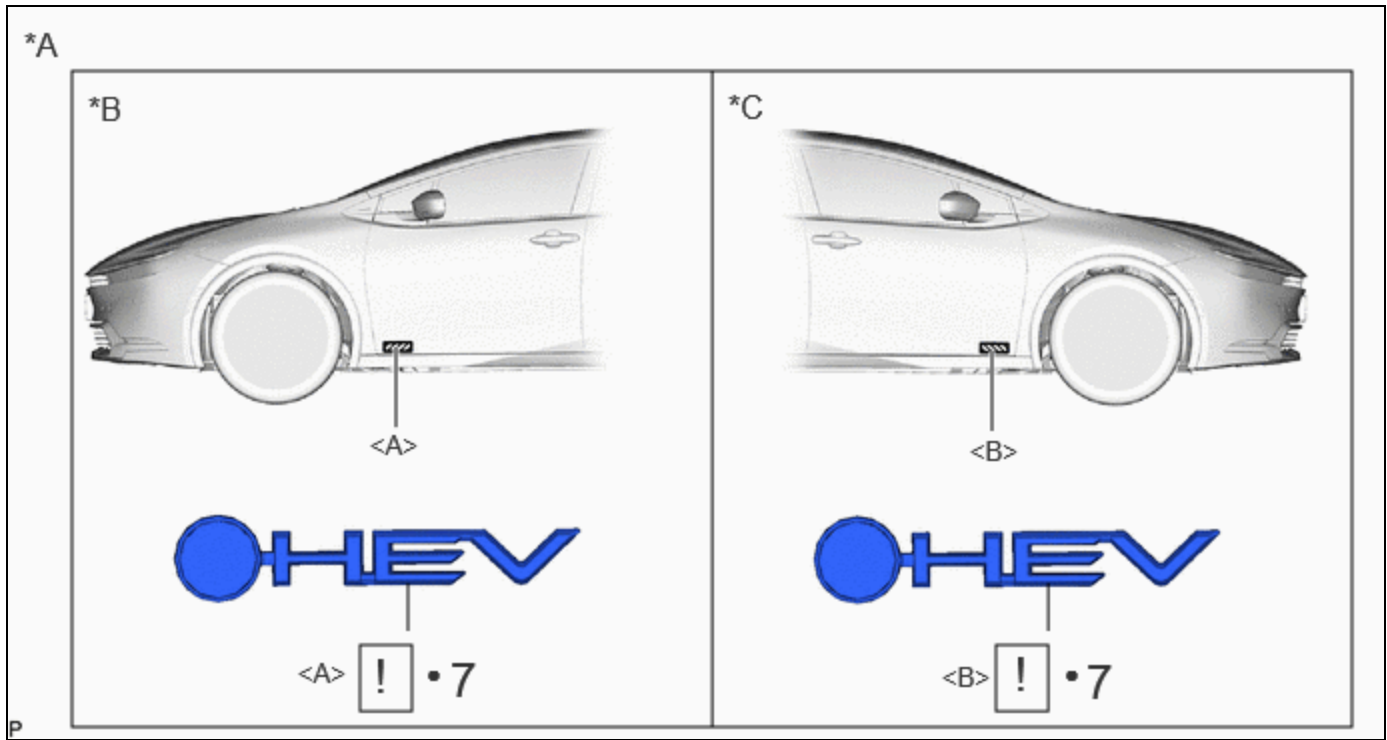
PROCEDURE		PART NAME CODE			
1	RADIATOR GRILLE (OR FRONT PANEL) EMBLEM	75311	<a href="#">INFO</a>	-	-

•	Non-reusable part	-	-
---	-------------------	---	---



PROCEDURE		PART NAME CODE	!		
2	NO. 1 BACK DOOR EMBLEM	75431A	INFO	-	-
3	NO. 4 BACK DOOR NAME PLATE	75444A	INFO	-	-
4	NO. 1 BACK DOOR NAME PLATE	75441E	INFO	-	-
5	NO. 3 BACK DOOR EMBLEM	75443	INFO	-	-
6	NO. 2 BACK DOOR NAME PLATE	75442A	INFO	-	-

*A	w/ No. 4 Back Door Name Plate	*B	for HEV Model
*C	for PHEV Model	-	-
•	Non-reusable part	-	-

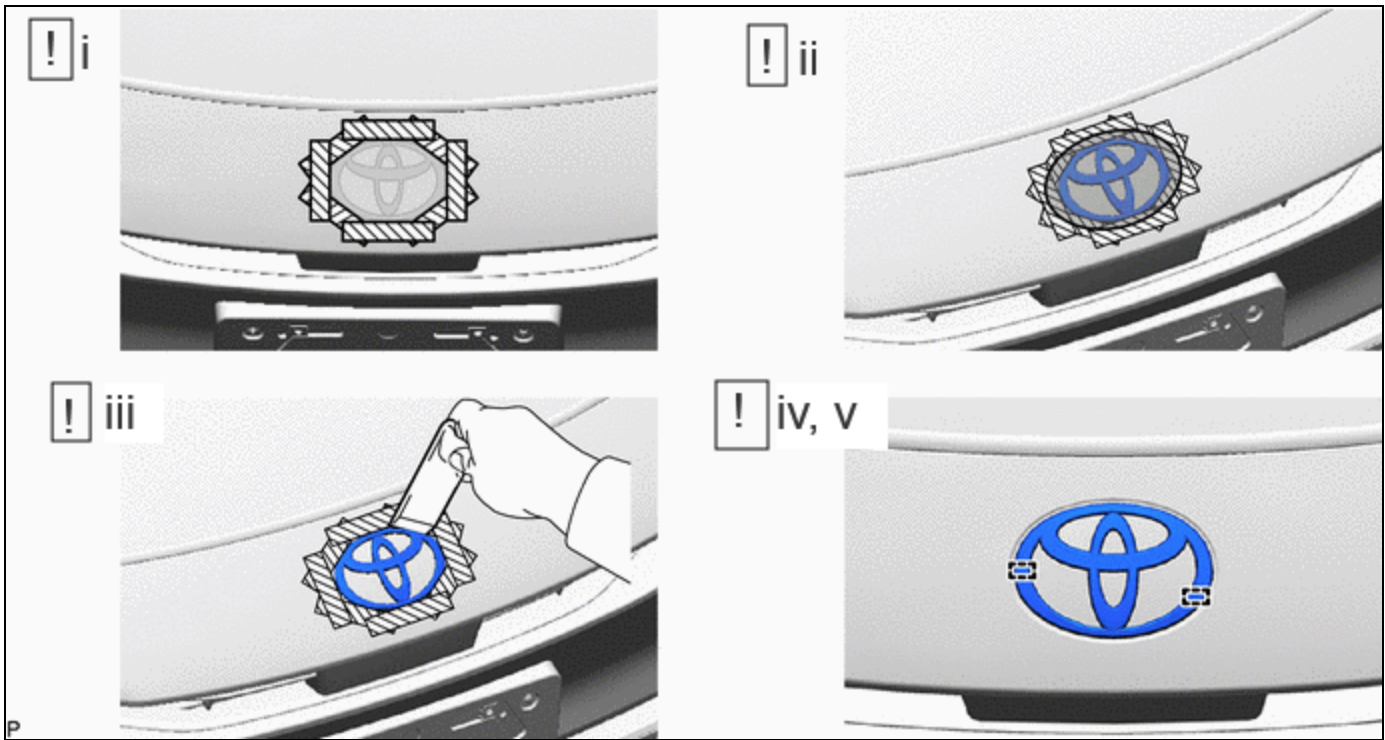



PROCEDURE		PART NAME CODE				
7	SIDE PANEL EMBLEM	75374	<span style="background-color: blue; color: white; padding: 2px;">INFO</span>	-	-	-

*A	w/ Side Panel Emblem	*B	for LH Side
*C	for RH Side	-	-
•	Non-reusable part	-	-

## PROCEDURE

### 1. REMOVE RADIATOR GRILLE (OR FRONT PANEL) EMBLEM

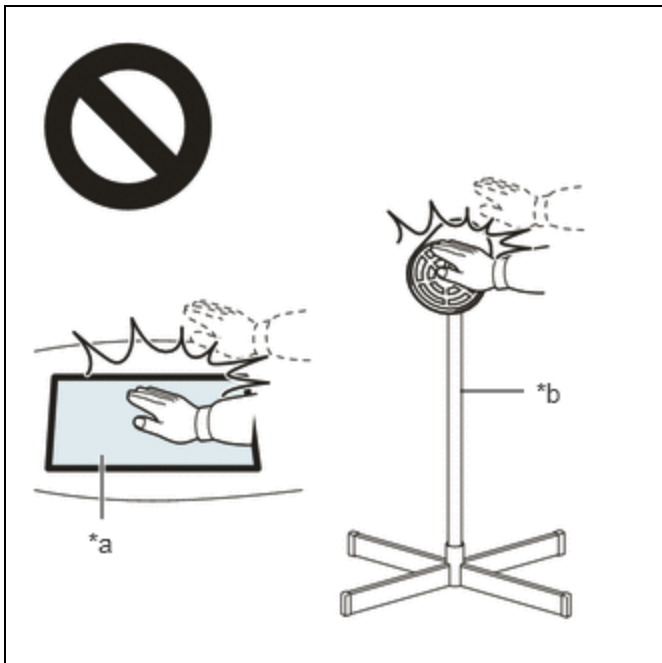


	Heated Part	-	-
---	-------------	---	---

- (1) Apply protective tape around the radiator grille (or front panel) emblem as shown in the illustration.
- (2) Using a heat light, heat the front bumper cover and radiator grille (or front panel) emblem.

**CAUTION:**

- Do not touch the heat light and heated parts, touching the heat light may result in burns.
- Touching heated parts for a long time may result in burns.



*a	Heated Part
*b	Heat Light

**NOTICE:**

Do not heat the front bumper cover and radiator grille (or front panel) emblem excessively.

Standard:

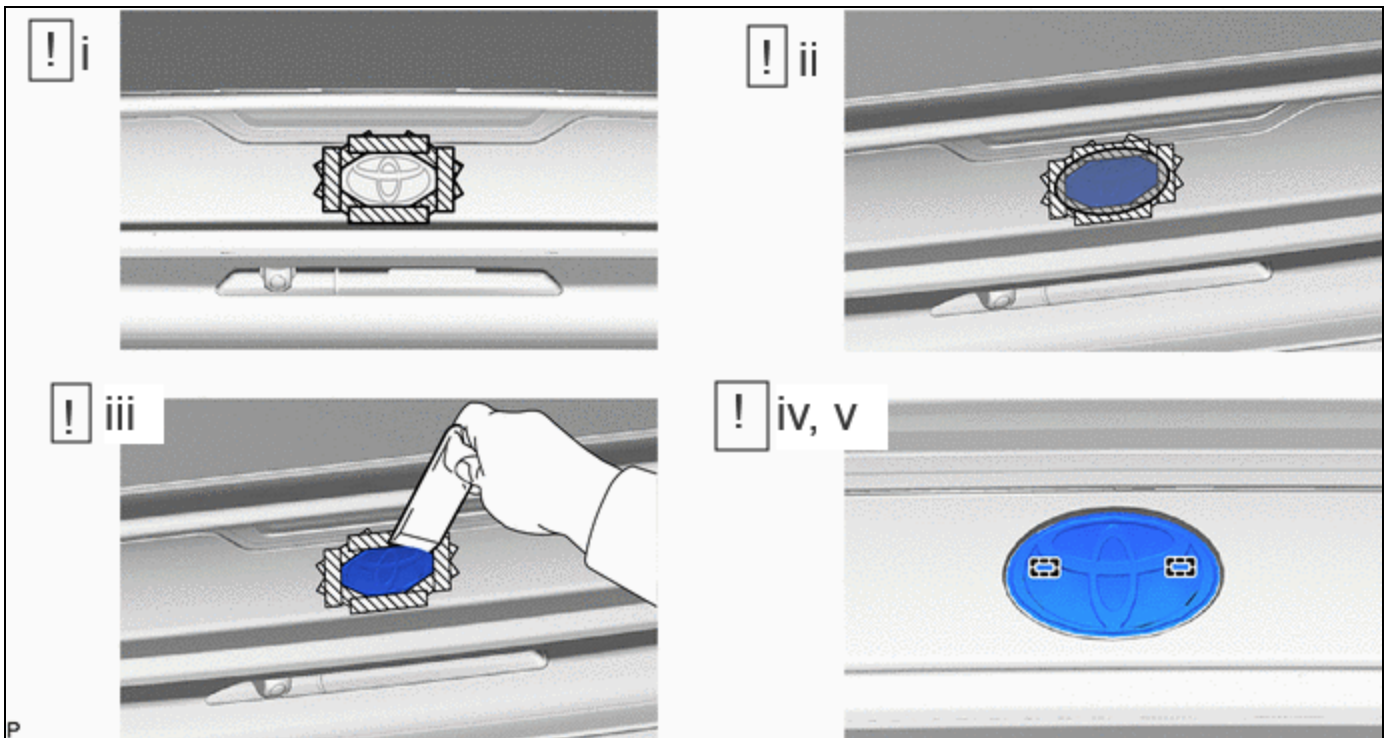
ITEM	TEMPERATURE
Front Bumper Cover	20 to 30 °C (68 to 86 °F)


(3) Using a moulding remover, separate the double-sided tape and disengage the 2 pins to remove the radiator grille (or front panel) emblem.

**NOTICE:**

Be careful not to damage the front bumper cover.

**2. REMOVE NO. 1 BACK DOOR EMBLEM**



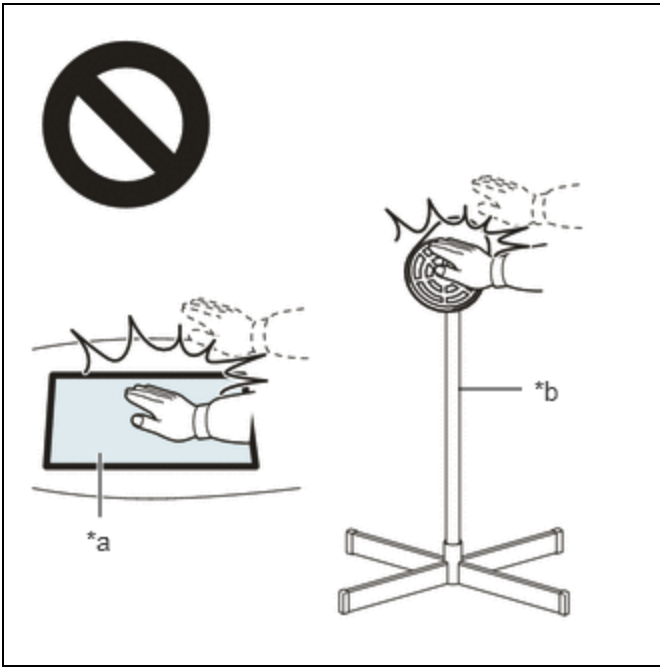
	Heated Part	-	-
---	-------------	---	---

(1) Apply protective tape around the No. 1 back door emblem as shown in the illustration.

(2) Using a heat light, heat the rear light assembly and No. 1 back door emblem.

**CAUTION:**

- Do not touch the heat light and heated parts, touching the heat light may result in burns.
- Touching heated parts for a long time may result in burns.



*a	Heated Part
*b	Heat Light

**NOTICE:**

Do not heat the rear light assembly or No. 1 back door emblem excessively.

Standard:

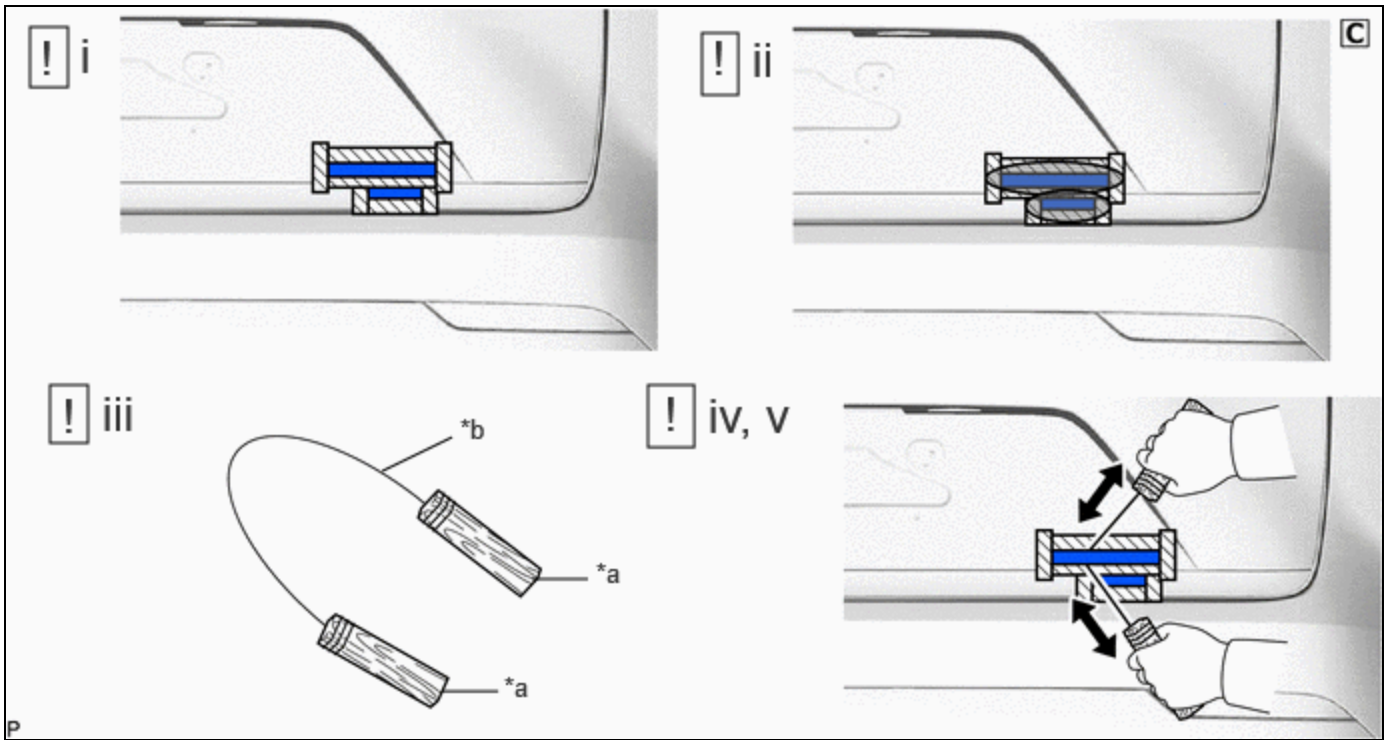
ITEM	TEMPERATURE
Rear Light Assembly	20 to 30 °C (68 to 86 °F)

- (3) Tie objects that can serve as handles (for example, wooden blocks) to both wire ends.
- (4) Insert a piano wire between the rear light assembly and No. 1 back door emblem.
- (5) Pull the piano wire and cut the double-sided tape that holds the No. 1 back door emblem to the rear light assembly.

**NOTICE:**

Be careful not to damage the rear light assembly.

**3. REMOVE NO. 4 BACK DOOR NAME PLATE (w/ No. 4 Back Door Name Plate)**

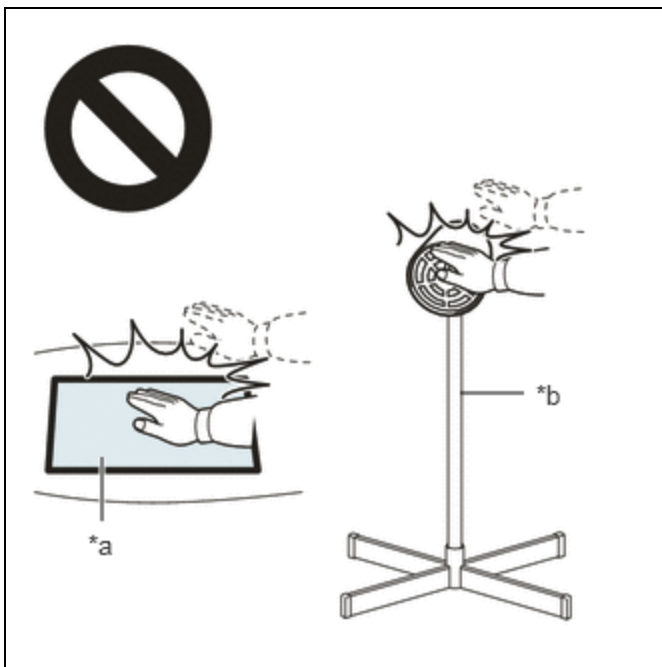


*a	Wooden Blocks	*b	Piano Wire
	Heated Part		Protective Tape

- (1) Apply protective tape around the No. 4 back door name plate as shown in the illustration.
- (2) Using a heat light, heat the rear light assembly and No. 4 back door name plate.

**CAUTION:**

- Do not touch the heat light and heated parts, touching the heat light may result in burns.
- Touching heated parts for a long time may result in burns.



*a	Heated Part
----	-------------

*b	Heat Light
----	------------

**NOTICE:**

Do not heat the rear light assembly or No. 4 back door name plate excessively.

Standard:

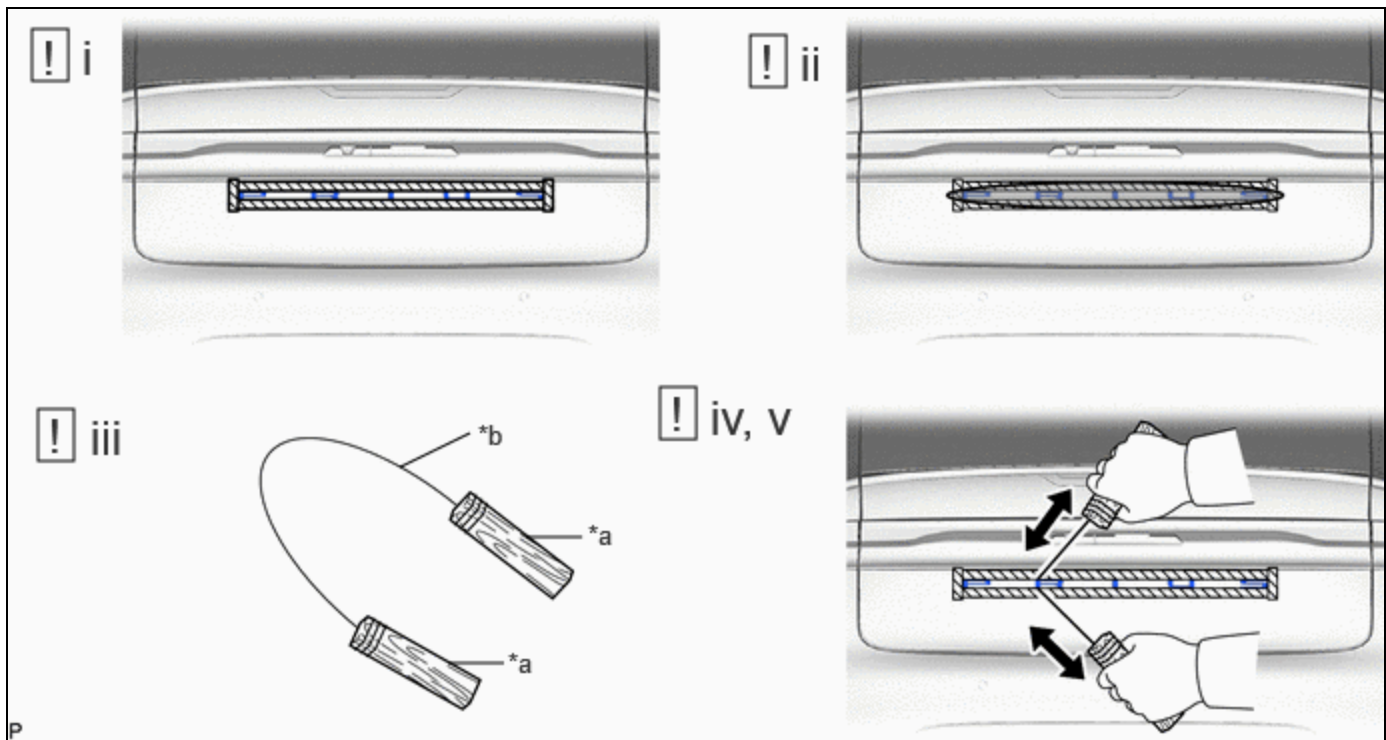
ITEM	TEMPERATURE
Rear Light Assembly	20 to 30 °C (68 to 86 °F)

- (3) Tie objects that can serve as handles (for example, wooden blocks) to both wire ends.
- (4) Insert a piano wire between the rear light assembly and No. 4 back door name plate.
- (5) Pull the piano wire and cut the double-sided tape that holds the No. 4 back door name plate to the rear light assembly.

**NOTICE:**

Be careful not to damage the rear light assembly.

**4. REMOVE NO. 1 BACK DOOR NAME PLATE**



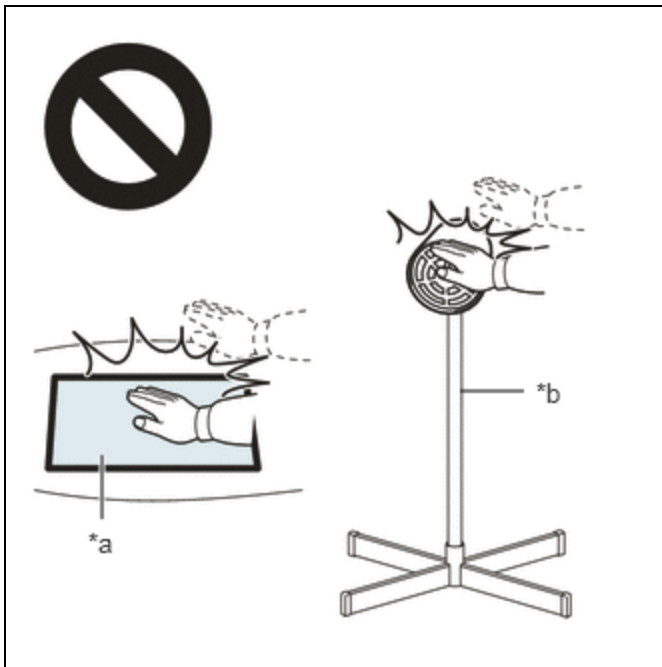
*a	Wooden Blocks	*b	Piano Wire
	Heated Part		Protective Tape

- (1) Apply protective tape around the No. 1 back door name plate as shown in the illustration.
- (2) Using a heat light, heat the back door panel and No. 1 back door name plate.

**CAUTION:**

- Do not touch the heat light and heated parts, touching the heat light may result in burns.
- Touching heated parts for a long time may result in burns.





*a	Heated Part
*b	Heat Light

**NOTICE:**

Do not heat the back door panel or No. 1 back door name plate excessively.

Standard:

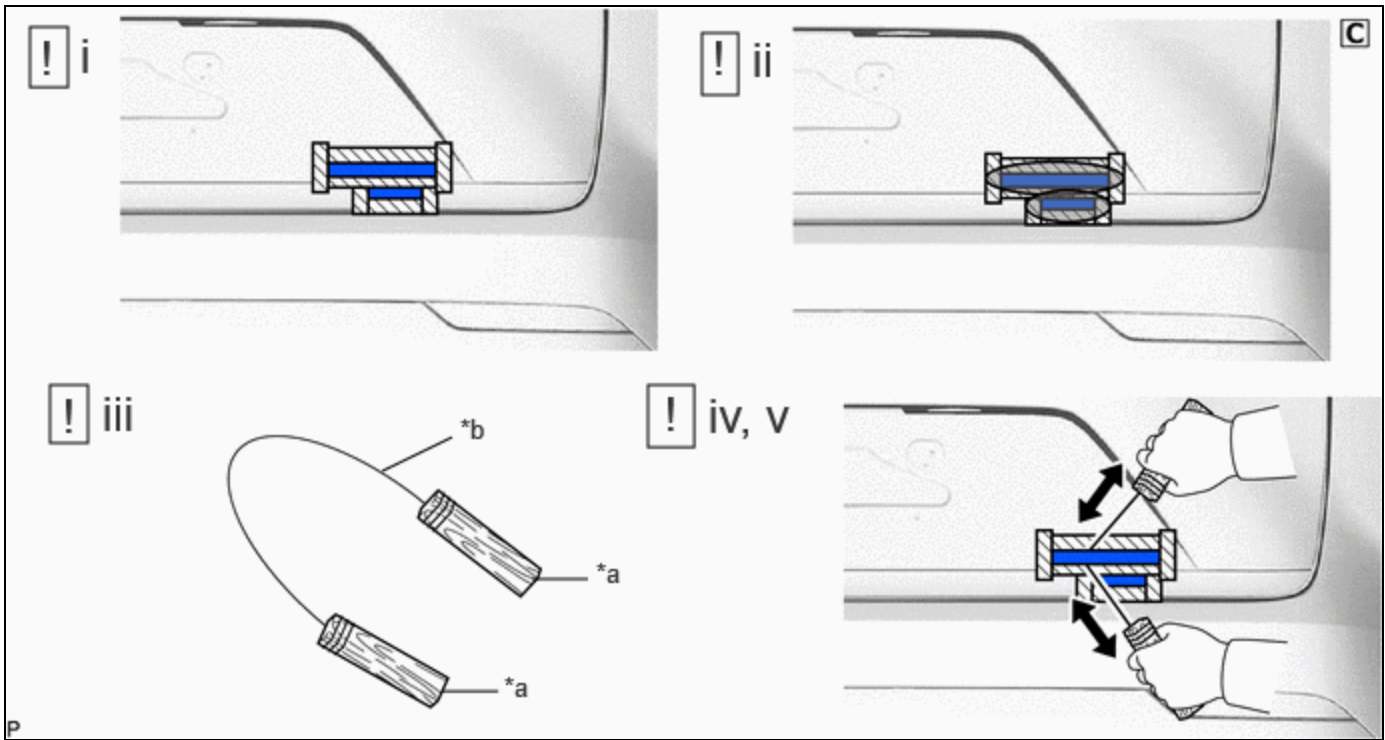
ITEM	TEMPERATURE
Back Door Panel	40 to 60°C (104 to 140°F)

- (3) Tie objects that can serve as handles (for example, wooden blocks) to both wire ends.
- (4) Insert a piano wire between the back door panel and No. 1 back door name plate.
- (5) Pull the piano wire and cut the double-sided tape that holds the No. 1 back door name plate to the back door panel.

**NOTICE:**

Be careful not to damage the back door panel.

**5. REMOVE NO. 3 BACK DOOR EMBLEM**

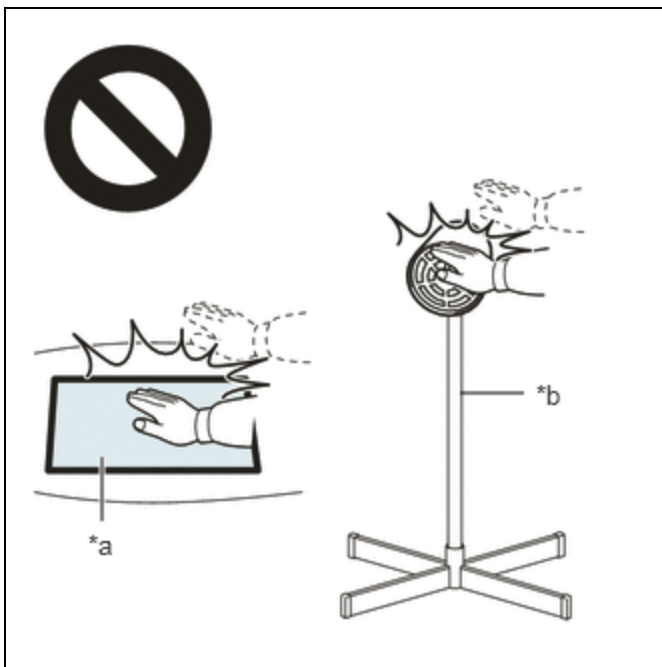


*a	Wooden Blocks	*b	Piano Wire
	Heated Part		Protective Tape

- (1) Apply protective tape around the No. 3 back door emblem as shown in the illustration.
- (2) Using a heat light, heat the back door panel and No. 3 back door emblem.

**CAUTION:**

- Do not touch the heat light and heated parts, touching the heat light may result in burns.
- Touching heated parts for a long time may result in burns.



*a	Heated Part
----	-------------

*b	Heat Light
----	------------

**NOTICE:**

Do not heat the back door panel or emblem excessively.

Standard:

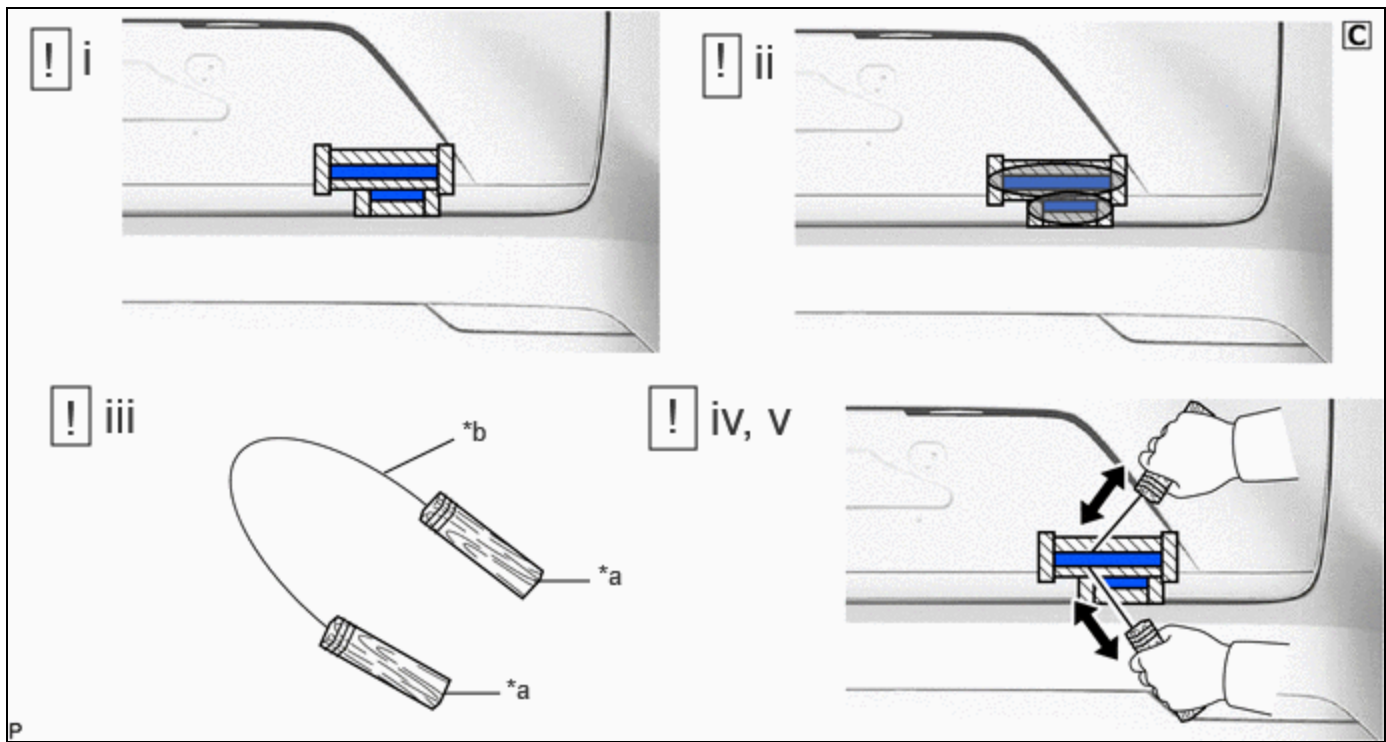
ITEM	TEMPERATURE
Back Door Panel	40 to 60°C (104 to 140°F)

- (3) Tie objects that can serve as handles (for example, wooden blocks) to both wire ends.
- (4) Insert a piano wire between the back door panel and No. 3 back door emblem.
- (5) Pull the piano wire and cut the double-sided tape that holds the No. 3 back door emblem to the back door panel.

**NOTICE:**

Be careful not to damage the back door panel.

**6. REMOVE NO. 2 BACK DOOR NAME PLATE (for PHEV Model)**

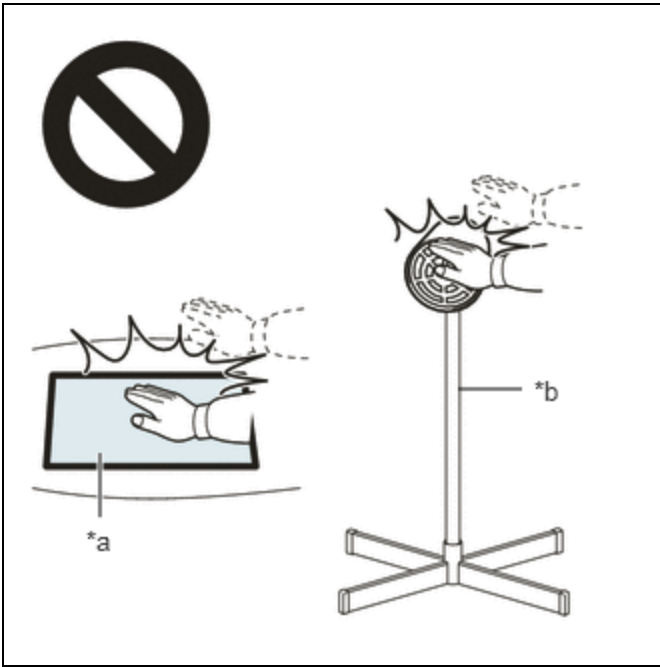


*a	Wooden Blocks	*b	Piano Wire
	Heated Part		Protective Tape

- (1) Apply protective tape around the No. 2 back door name plate as shown in the illustration.
- (2) Using a heat light, heat the back door panel and No. 2 back door name plate.

**CAUTION:**

- Do not touch the heat light and heated parts, touching the heat light may result in burns.
- Touching heated parts for a long time may result in burns.



*a	Heated Part
*b	Heat Light

**NOTICE:**

Do not heat the back door panel or emblem excessively.

Standard:

ITEM	TEMPERATURE
Back Door Panel	40 to 60°C (104 to 140°F)

- (3) Tie objects that can serve as handles (for example, wooden blocks) to both wire ends.
- (4) Insert a piano wire between the back door panel and No. 2 back door name plate.
- (5) Pull the piano wire and cut the double-sided tape that holds the No. 2 back door name plate to the back door panel.

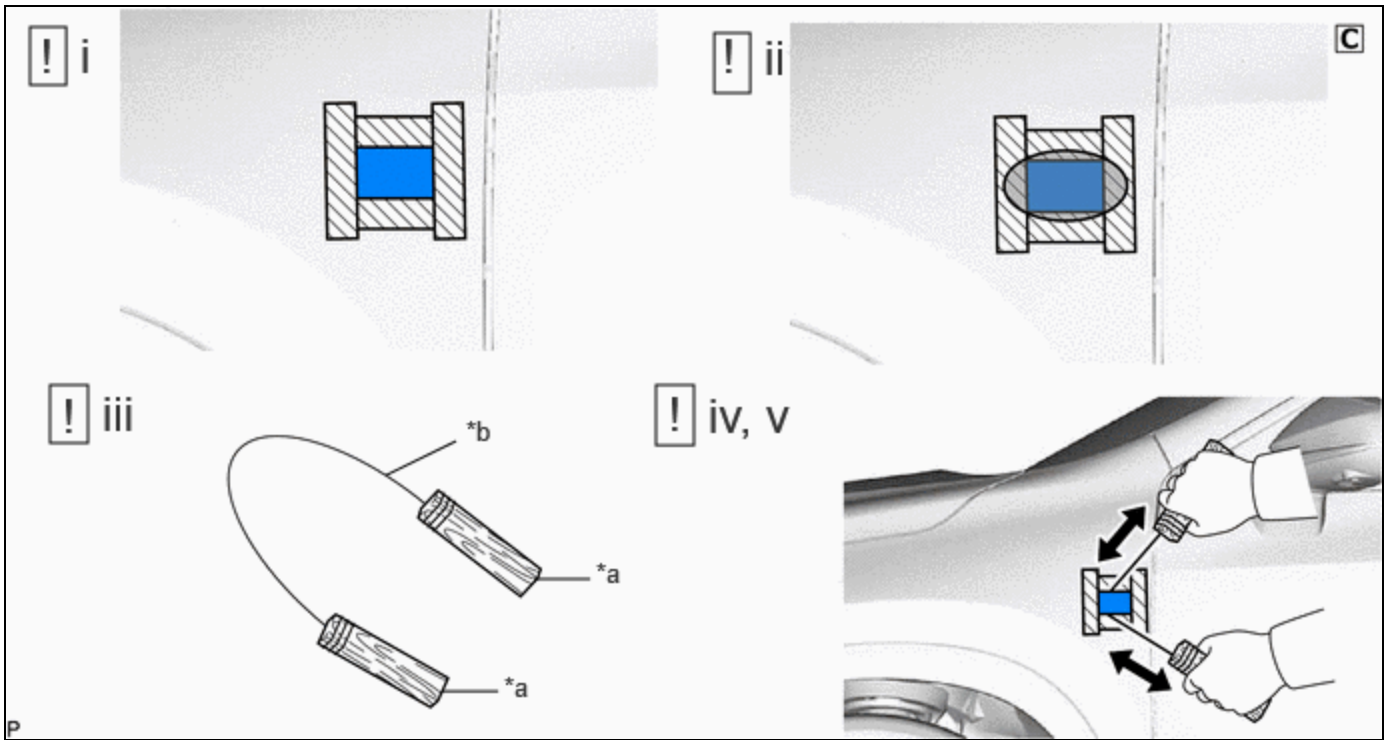
**NOTICE:**

Be careful not to damage the back door panel.

**7. REMOVE SIDE PANEL EMBLEM (w/ Side Panel Emblem)**

**HINT:**

Use the same procedure for the RH side and LH side.

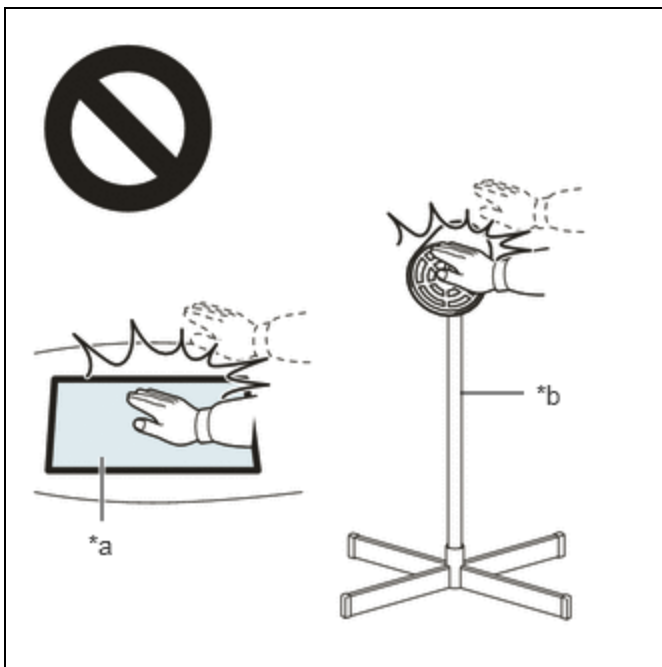


*a	Wooden Blocks	*b	Piano Wire
	Heated Part		Protective Tape

- (1) Apply protective tape around the side panel emblem as shown in the illustration.
- (2) Using a heat light, heat the front door panel and side panel emblem.

**CAUTION:**

- Do not touch the heat light and heated parts, touching the heat light may result in burns.
- Touching heated parts for a long time may result in burns.



*a	Heated Part
----	-------------

*b	Heat Light
----	------------

**NOTICE:**

Do not heat the front door panel or side panel emblem excessively.

Standard:

ITEM	TEMPERATURE
Front Door Panel	40 to 60°C (104 to 140°F)

- (3) Tie objects that can serve as handles (for example, wooden blocks) to both wire ends.
- (4) Insert a piano wire between the front door panel and front side panel emblem.
- (5) Pull the piano wire and cut the double-sided tape that holds the side panel emblem to the front door panel.

**NOTICE:**

Be careful not to damage the front door panel.

