

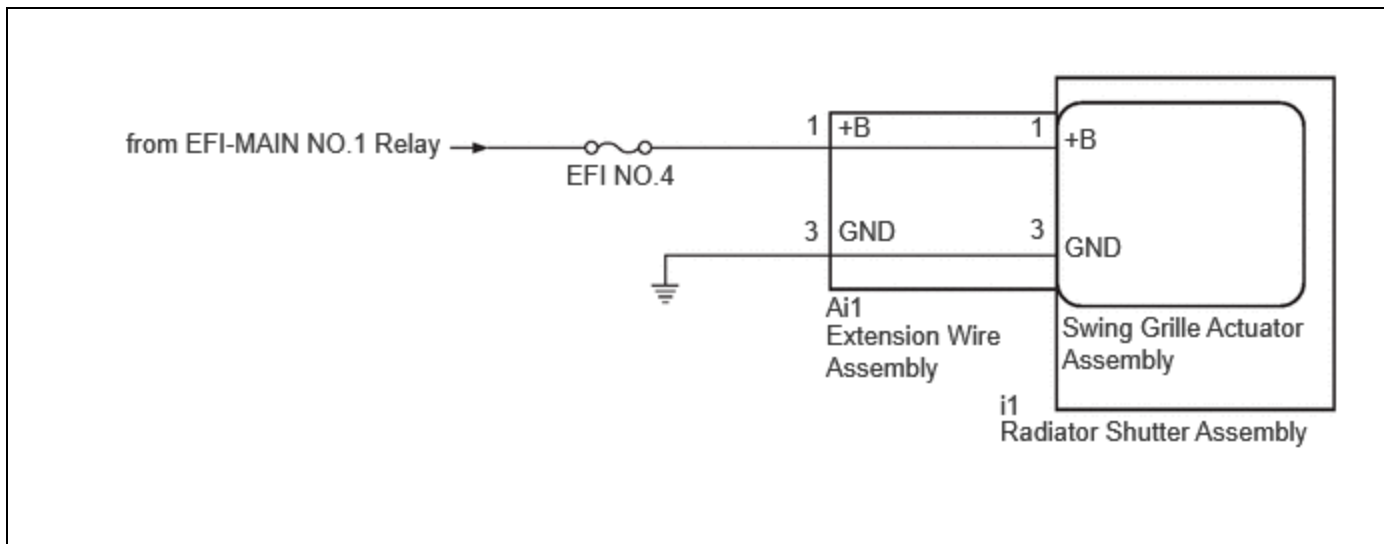
Last Modified: 12-04-2024	6.11:8.1.0	Doc ID: RM1000000299KM
Model Year Start: 2023	Model: Prius Prime	Prod Date Range: [12/2022 -]
Title: EXTERIOR PANELS / TRIM: GRILLE SHUTTER SYSTEM: Grille Shutter does not Operate; 2023 - 2024 MY Prius Prius Prime [12/2022 -]		

Grille Shutter does not Operate

DESCRIPTION

The radiator shutter assembly may not operate due to foreign matter, such as snow or dirt, or a drop in voltage.

WIRING DIAGRAM



CAUTION / NOTICE / HINT

NOTICE:

- Before performing troubleshooting, change the grille shutter control mode to maintenance mode.
 - Click here [INFO](#)
- If the radiator shutter assembly has been replaced with a new one, perform initialization and change the grille shutter control mode.
 - Click here [INFO](#)
- Inspect the fuses for circuits related to this system before performing the following procedure.

PROCEDURE

1. PERFORM UTILITY USING GTS (SWITCH GRILLE SHUTTER CONTROL MODE)

(a) According to the display on the GTS, change the grille shutter control mode from normal mode to maintenance mode.

Powertrain > Engine > Utility

TESTER DISPLAY
Switch Grille Shutter Control Mode

NEXT**2. CHECK FOR GRILLE SHUTTER (FOREIGN MATTER AND ICE)**

(a) Check the area around the shutters and the links of the grille shutter for foreign matter and ice.

OK:

The radiator shutter assembly is free of foreign matter and ice.

NG  **FOREIGN OBJECT (REMOVE FOREIGN MATTER AND/OR ICE)**

OK**3. CHECK RADIATOR SHUTTER ASSEMBLY**

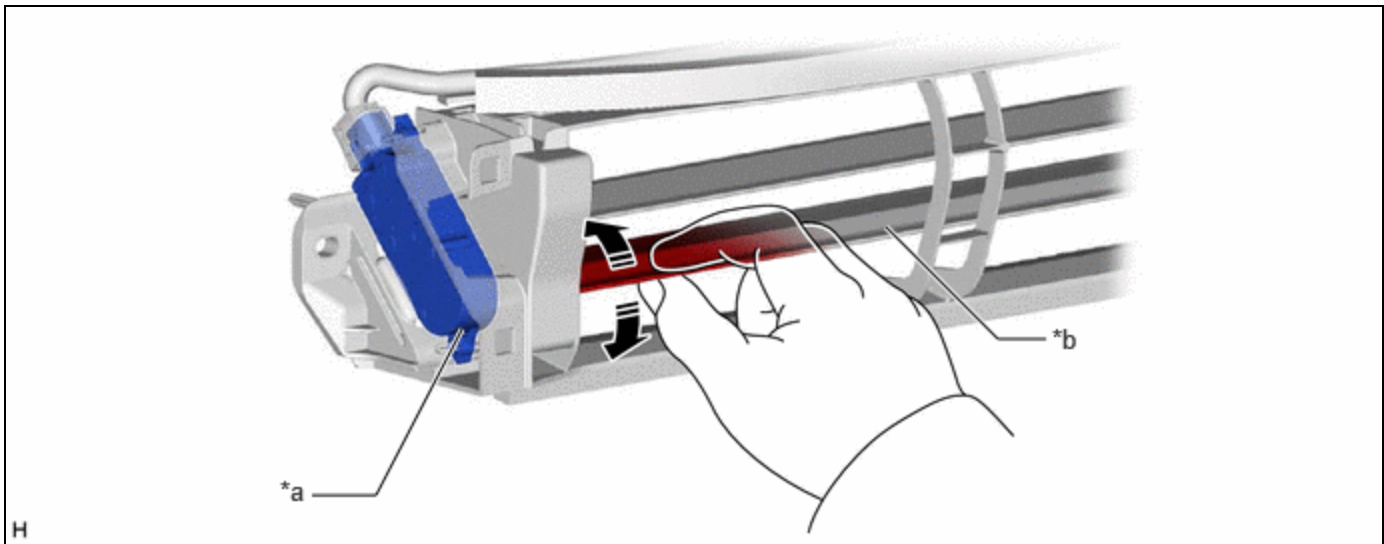
(a) Remove the radiator shutter assembly.

Click here 

(b) While using fingers to pinch the fin at the location shown in the illustration, fully open and close the radiator shutter assembly manually and check that it moves smoothly.

HINT:

If the fin is pinched with fingers far from the swing grille actuator assembly, the function may not be able to be inspected correctly.



*a	Swing Grille Actuator Assembly	*b	Fin
----	--------------------------------	----	-----

OK:

The radiator shutter assembly moves smoothly.

NG **REPLACE RADIATOR SHUTTER ASSEMBLY**

OK



4.	CLEAR DTC
-----------	------------------

(a) Clear the DTCs.

Powertrain > Engine > Clear DTCs

(b) Turn the ignition switch off and wait for at least 30 seconds.

NEXT



5.	CHECK FOR DTC
-----------	----------------------

(a) Check for DTCs.

Powertrain > Engine > Trouble Codes

OK:

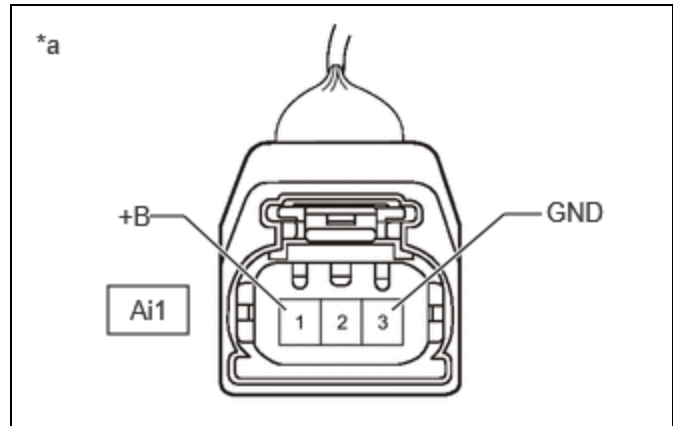
DTCs are not output.

NG **GO TO SFI SYSTEM**

OK
▼

6. CHECK HARNESS AND CONNECTOR (EXTENSION WIRE ASSEMBLY - POWER SUPPLY AND BODY GROUND)

(a) Disconnect the Ai1 extension wire assembly connector.



*a Component without harness connected (to Extension Wire Assembly)

(b) Measure the voltage according to the value(s) in the table below.

Standard Voltage:



[Click Location & Routing\(Ai1\)](#)

[Click Connector\(Ai1\)](#)

TESTER CONNECTION	SWITCH CONDITION	SPECIFIED CONDITION
Ai1-1 (+B) - Ai1-3 (GND)	Ignition switch ON	11 to 14 V

NG ► REPAIR OR REPLACE HARNESS OR CONNECTOR

OK
▼

7. INSPECT EXTENSION WIRE ASSEMBLY

(a) Remove the extension wire assembly.

Click here [INFO](#)

(b) Measure the resistance according to the value(s) in the table below.

Standard Resistance:

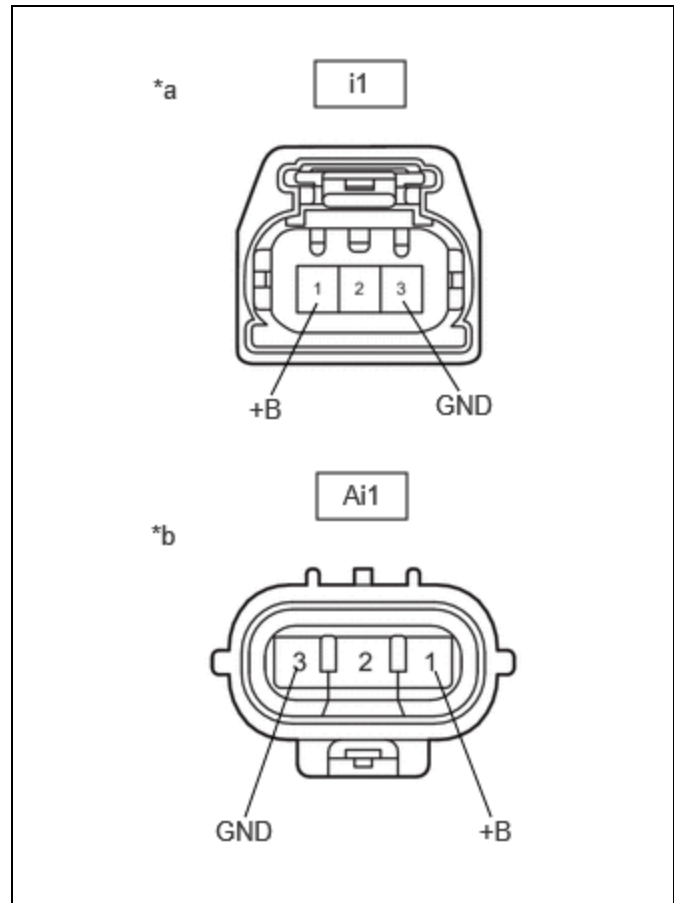


[Click Location & Routing\(i1,Ai1\)](#)

[Click Connector\(i1\)](#)

[Click Connector\(Ai1\)](#)

TESTER CONNECTION	SWITCH CONDITION	SPECIFIED CONDITION
i1-1 (+B) - Ai1-1 (+B)	Always	Below 1 Ω
i1-3 (GND) - Ai1-3 (GND)	Always	Below 1 Ω



*a	Component without harness connected (to Radiator Shutter Assembly)
*b	Component without harness connected (to Wire Harness)

OK ► REPLACE RADIATOR SHUTTER ASSEMBLY

NG ► REPLACE EXTENSION WIRE ASSEMBLY

