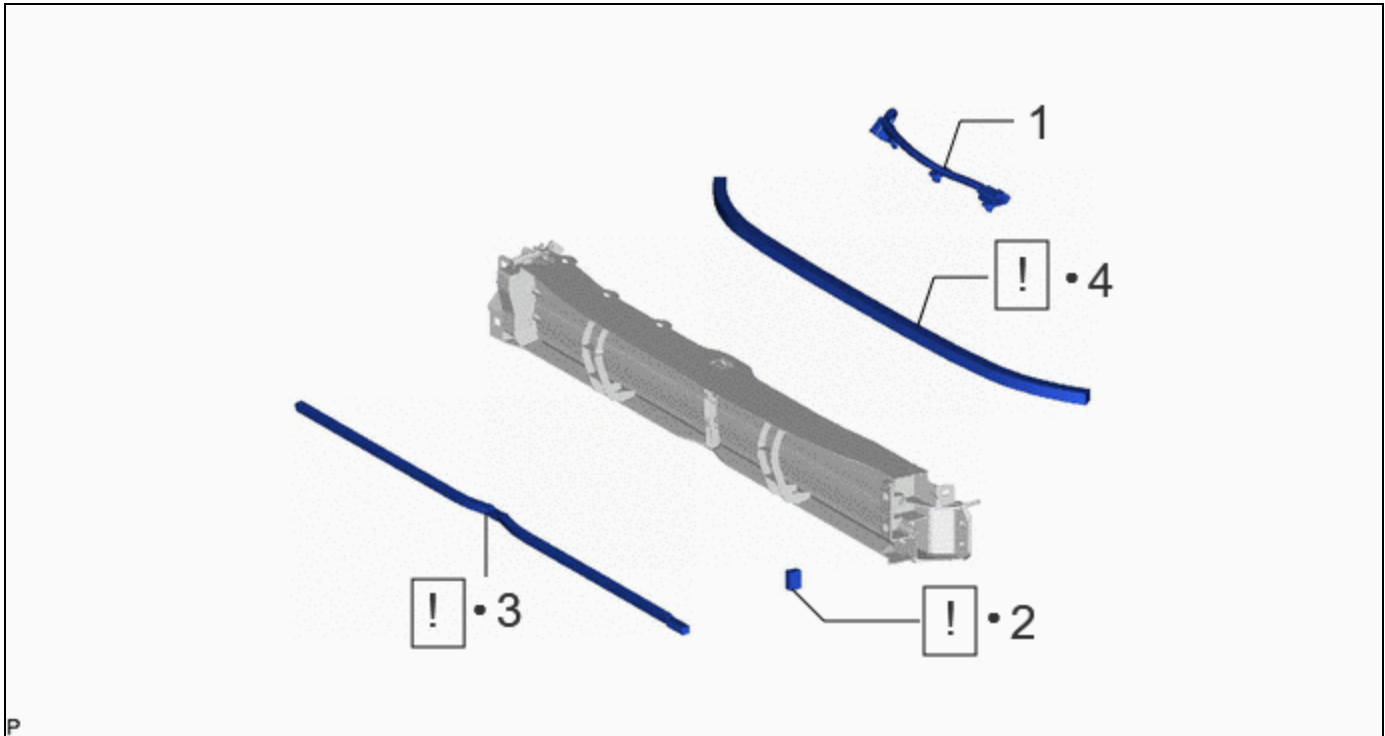


Last Modified: 12-04-2024	6.11:8.1.0	Doc ID: RM1000000029QEQ
Model Year Start: 2023	Model: Prius Prime	Prod Date Range: [12/2022 -]
Title: EXTERIOR PANELS / TRIM: GRILLE SHUTTER: REASSEMBLY; 2023 - 2024 MY Prius Prius Prime [12/2022 -]		

REASSEMBLY

CAUTION / NOTICE / HINT

COMPONENTS (REASSEMBLY)



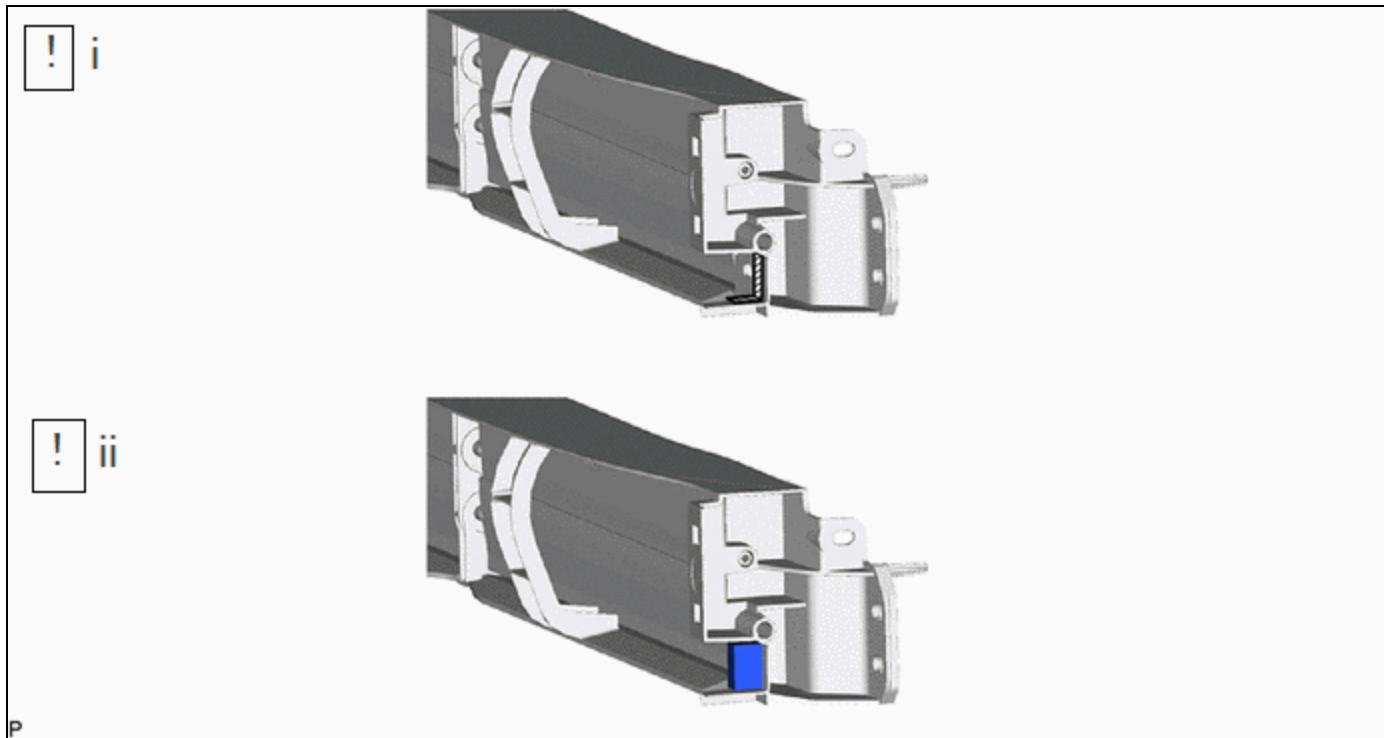
PROCEDURE	PART NAME CODE			
1 EXTENSION WIRE ASSEMBLY	82090B	-	-	-
2 NO. 3 RADIATOR GRILLE SEAL	53157C	INFO	-	-
3 NO. 2 RADIATOR GRILLE SEAL	53156G	INFO	-	-
4 NO. 1 RADIATOR GRILLE SEAL	53155J	INFO	-	-


• Non-reusable part	-	-
---------------------	---	---

PROCEDURE

1. INSTALL EXTENSION WIRE ASSEMBLY

2. INSTALL NO. 3 RADIATOR GRILLE SEAL



	Cleaning Area	-	-
---	---------------	---	---

(1) Clean the radiator shutter assembly surface.

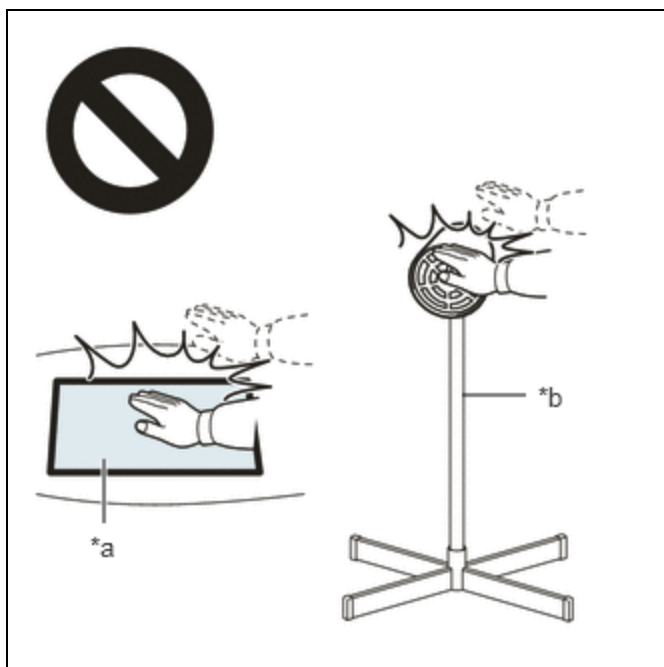
1. Using a heat light, heat the double-sided tape remaining on the radiator shutter assembly and No. 3 radiator grille seal.

Heating Temperature

AREA	TEMPERATURE	AREA	TEMPERATURE
Radiator Shutter Assembly	20 to 30 °C (68 to 86 °F)	No. 3 Radiator Grille Seal	20 to 30 °C (68 to 86 °F)

CAUTION:

- Do not touch the heat light and heated parts, touching the heat light may result in burns.
- Touching heated parts for a long time may result in burns.



*a	Heated Part
*b	Heat Light

NOTICE:

Do not heat the radiator shutter assembly excessively.

2. Remove any remaining double-sided tape from the radiator shutter assembly.
 3. Wipe off any tape adhesive residue with cleaner.
- (2) Install a new No. 3 radiator grille seal.
1. Using a heat light, heat the radiator shutter assembly surface.
 2. Remove the release paper from the No. 3 radiator grille seal.

HINT:

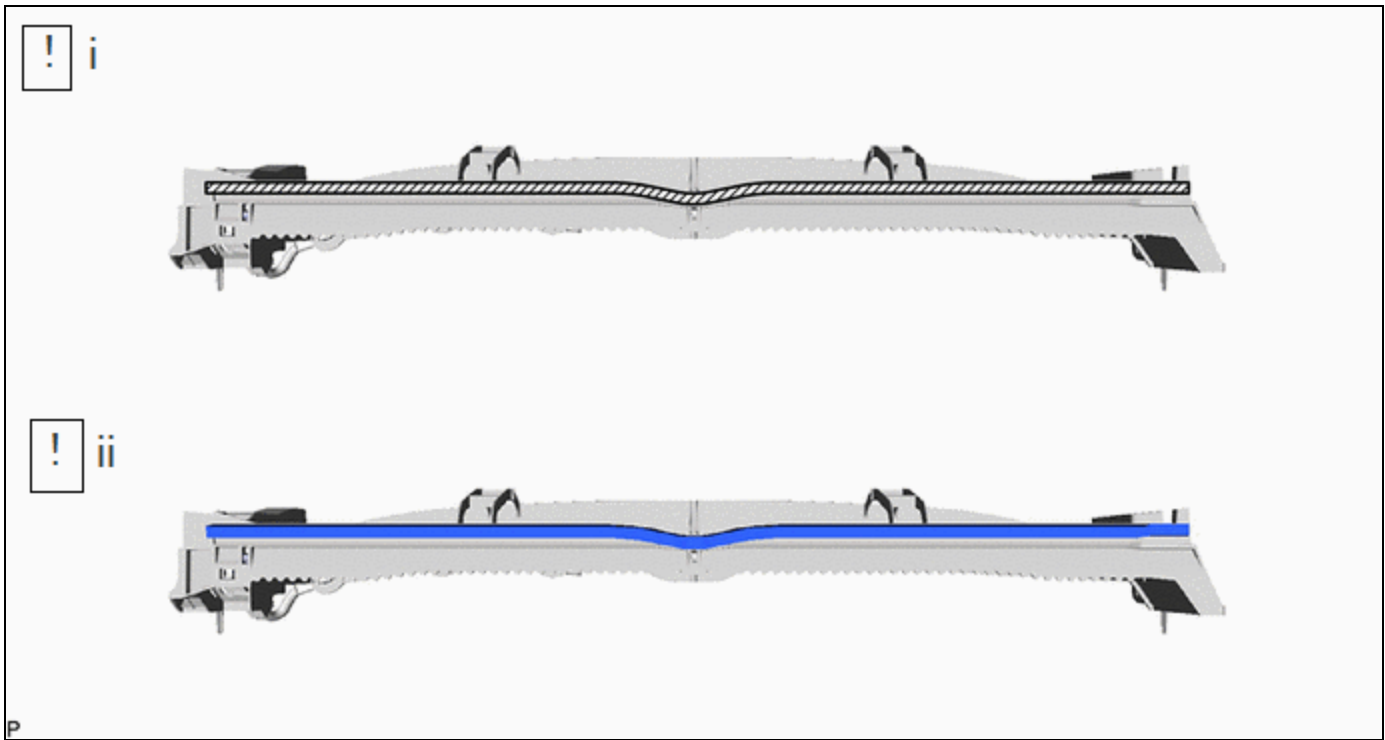
After removing the release paper, keep the exposed adhesive free from foreign matter.


3. Install the No. 3 radiator grille seal as shown in the illustration.

HINT:

- Apply the No. 3 radiator grille seal along the scribed line on the radiator shutter assembly.
- Press the No. 3 radiator grille seal firmly to install it.

3. INSTALL NO. 2 RADIATOR GRILLE SEAL



	Cleaning Area	-	-
---	---------------	---	---

(1) Clean the radiator shutter assembly surface.

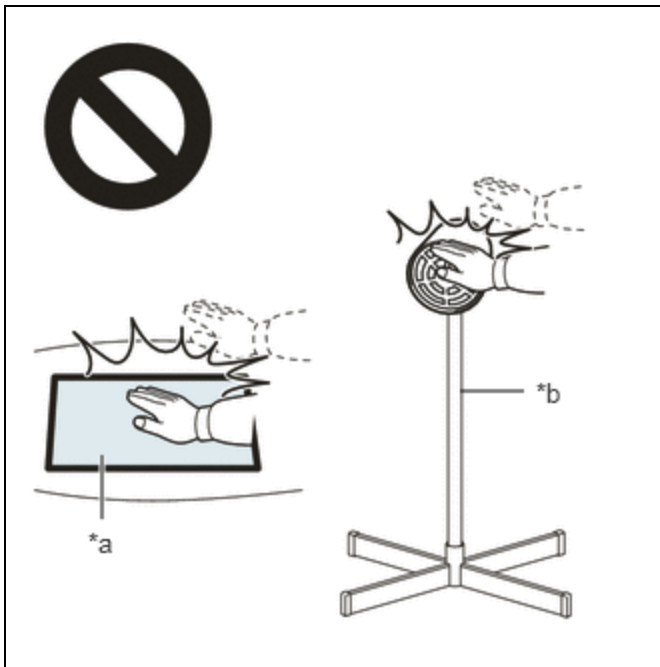
- Using a heat light, heat the double-sided tape remaining on the radiator shutter assembly and No. 2 radiator grille seal.

Heating Temperature

AREA	TEMPERATURE	AREA	TEMPERATURE
Radiator Shutter Assembly	20 to 30 °C (68 to 86 °F)	No. 2 Radiator Grille Seal	20 to 30 °C (68 to 86 °F)

CAUTION:

- Do not touch the heat light and heated parts, touching the heat light may result in burns.
- Touching heated parts for a long time may result in burns.



*a	Heated Part
*b	Heat Light

NOTICE:

Do not heat the radiator shutter assembly excessively.

2. Remove any remaining double-sided tape from the radiator shutter assembly.
 3. Wipe off any tape adhesive residue with cleaner.
- (2) Install a new No. 2 radiator grille seal.
1. Using a heat light, heat the radiator shutter assembly surface.
 2. Remove the release paper from the No. 2 radiator grille seal.

HINT:

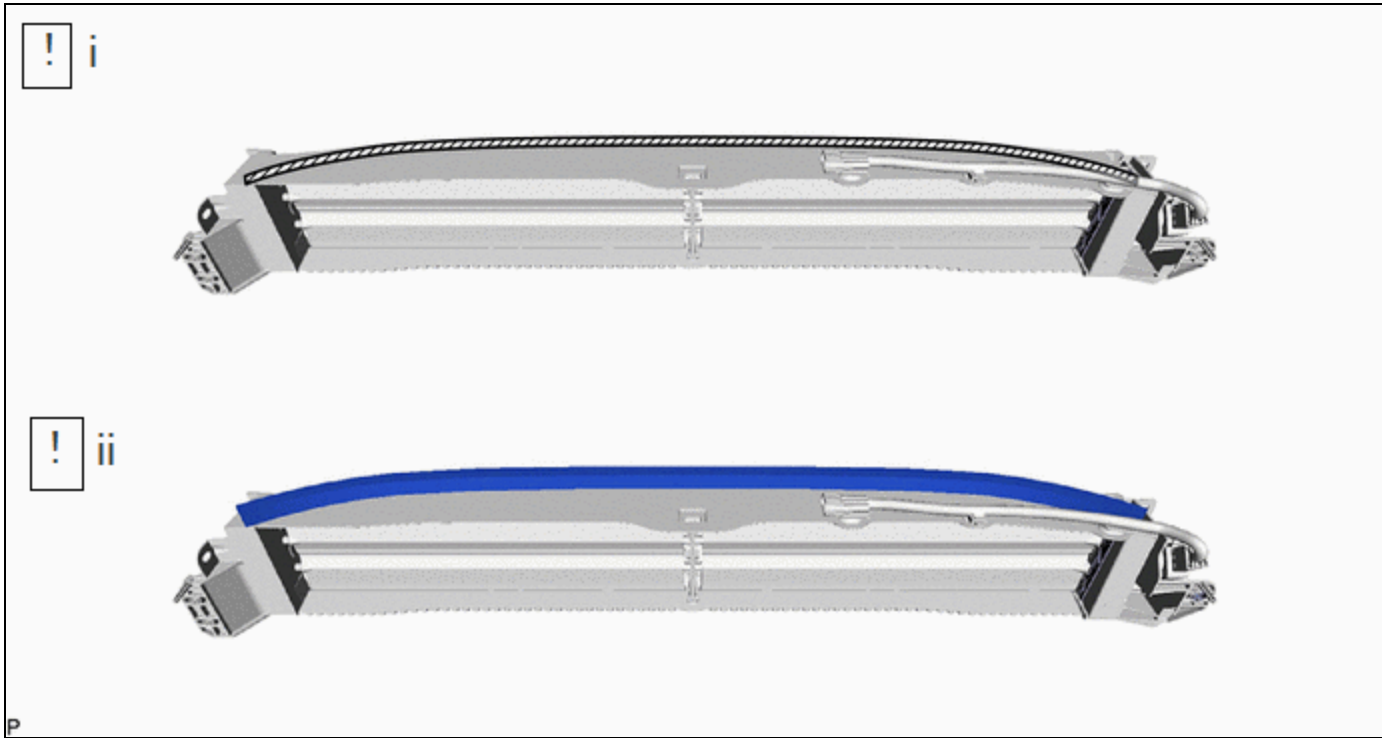
After removing the release paper, keep the exposed adhesive free from foreign matter.


3. Install the No. 2 radiator grille seal as shown in the illustration.

HINT:

- Apply the No. 2 radiator grille seal along the scribed line on the radiator shutter assembly.
- Press the No. 2 radiator grille seal firmly to install it.

4. INSTALL NO. 1 RADIATOR GRILLE SEAL



	Cleaning Area	-	-
---	---------------	---	---

(1) Clean the radiator shutter assembly surface.

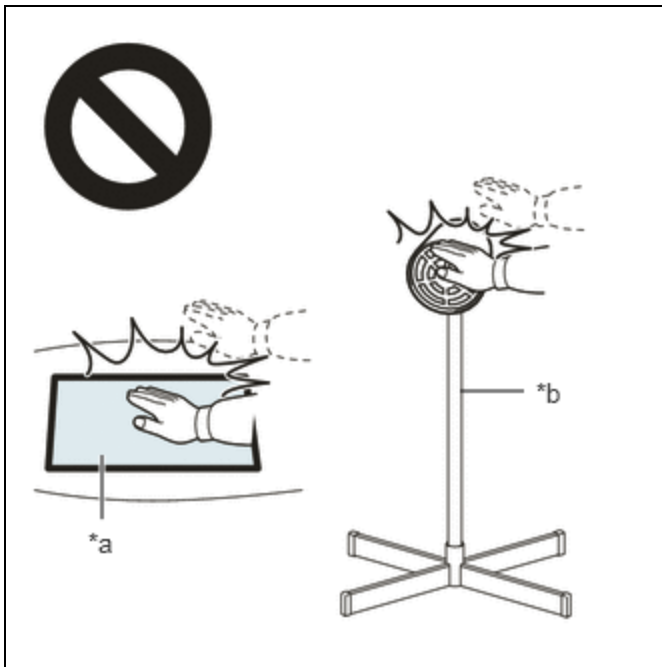
1. Using a heat light, heat the double-sided tape remaining on the radiator shutter assembly and No. 1 radiator grille seal.

Heating Temperature

AREA	TEMPERATURE	AREA	TEMPERATURE
Radiator Shutter Assembly	20 to 30 °C (68 to 86 °F)	No. 1 Radiator Grille Seal	20 to 30 °C (68 to 86 °F)

CAUTION:

- Do not touch the heat light and heated parts, touching the heat light may result in burns.
- Touching heated parts for a long time may result in burns.



*a	Heated Part
*b	Heat Light

NOTICE:

Do not heat the radiator shutter assembly excessively.

2. Remove any remaining double-sided tape from the radiator shutter assembly.
 3. Wipe off any tape adhesive residue with cleaner.
- (2) Install a new No. 1 radiator grille seal.
1. Using a heat light, heat the radiator shutter assembly surface.
 2. Remove the release paper from the No. 1 radiator grille seal.

HINT:

After removing the release paper, keep the exposed adhesive free from foreign matter.

3. Install the No. 1 radiator grille seal as shown in the illustration.

HINT:

- Apply the No. 1 radiator grille seal along the scribed line on the radiator shutter assembly.
- Press the No. 1 radiator grille seal firmly to install it.

