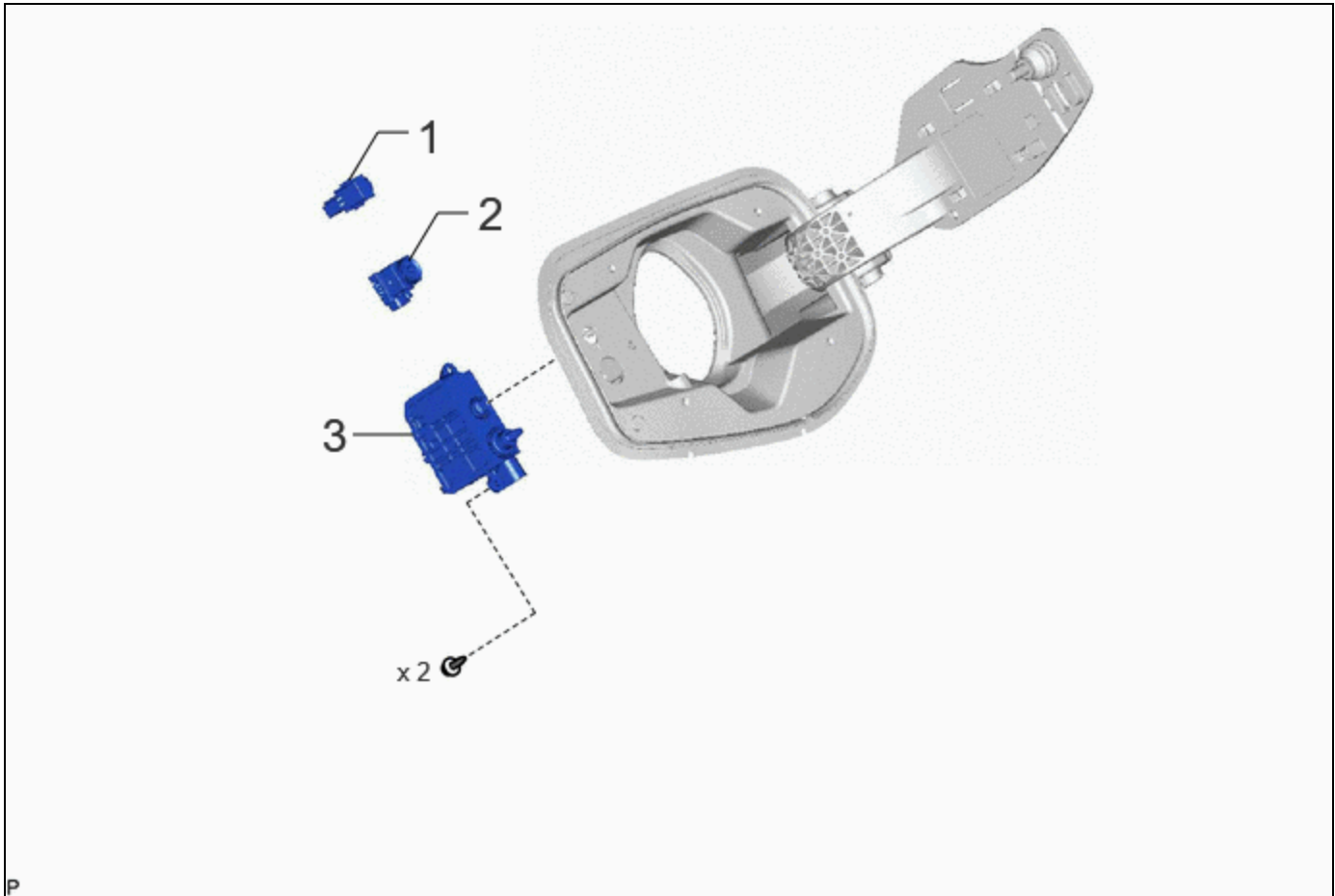


<b>Last Modified:</b> 12-04-2024	6.11:8.1.0	<b>Doc ID:</b> RM100000002B18F
<b>Model Year Start:</b> 2023	<b>Model:</b> Prius Prime	<b>Prod Date Range:</b> [03/2023 - ]
<b>Title:</b> DOOR / HATCH: CHARGE LID OPENER UNIT: REASSEMBLY; 2023 - 2024 MY Prius Prius Prime [03/2023 - ]		

## REASSEMBLY

## CAUTION / NOTICE / HINT

### COMPONENTS (REASSEMBLY)



	PROCEDURE	PART NAME CODE			
1	SPOT LIGHT ASSEMBLY	81360N	-	-	-
2	EV CHARGER LID INDICATOR	G90H1	-	-	-
3	CHARGE LID LOCK WITH MOTOR ASSEMBLY	77030B	-	-	-

## PROCEDURE

### 1. INSTALL SPOT LIGHT ASSEMBLY

**2. INSTALL EV CHARGER LID INDICATOR**

**3. INSTALL CHARGE LID LOCK WITH MOTOR ASSEMBLY**

