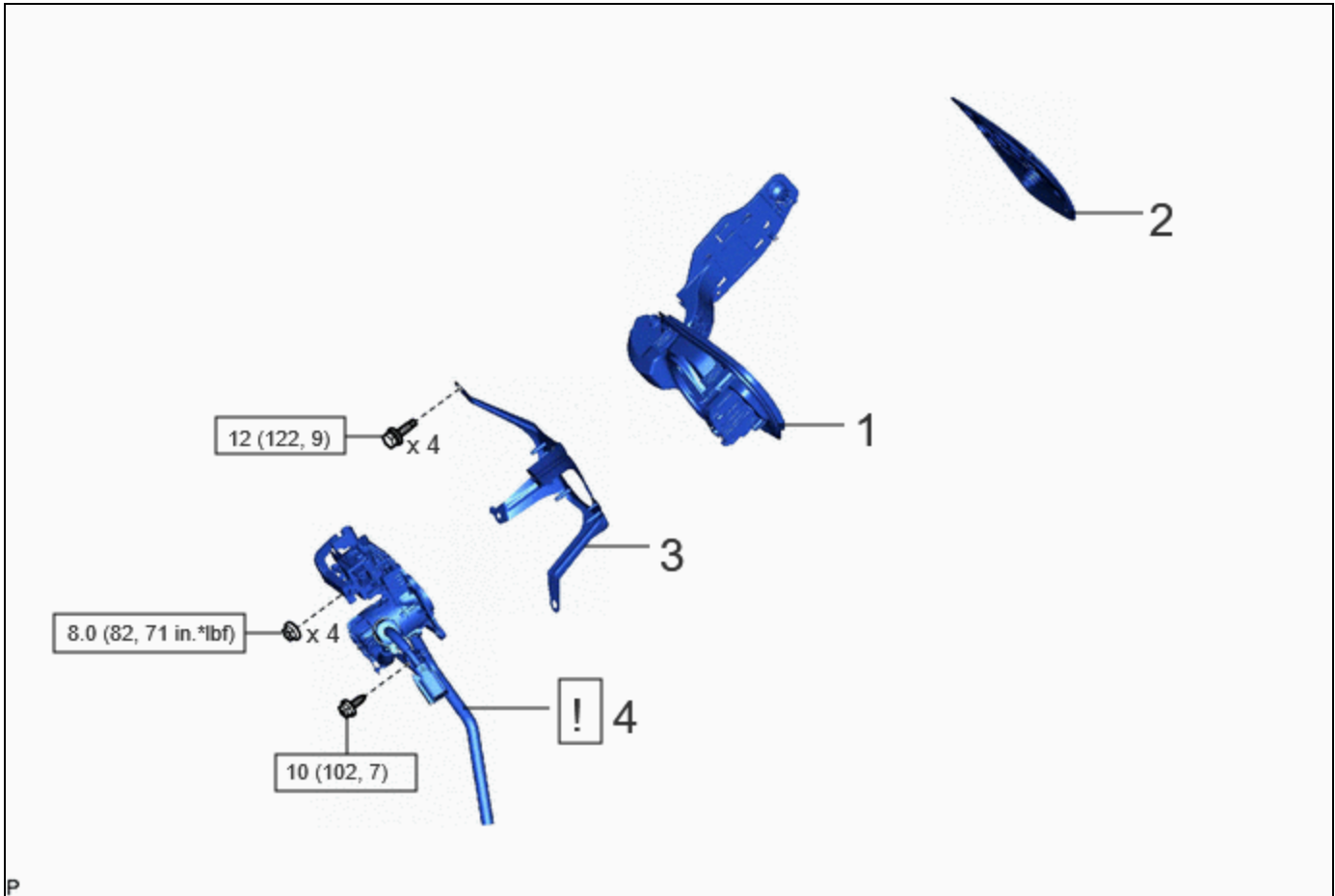


Last Modified: 12-04-2024	6.11:8.1.0	Doc ID: RM100000002B18H
Model Year Start: 2023	Model: Prius Prime	Prod Date Range: [03/2023 -]
Title: DOOR / HATCH: CHARGE LID OPENER UNIT: INSTALLATION; 2023 - 2024 MY Prius Prius Prime [03/2023 -]		

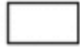
INSTALLATION

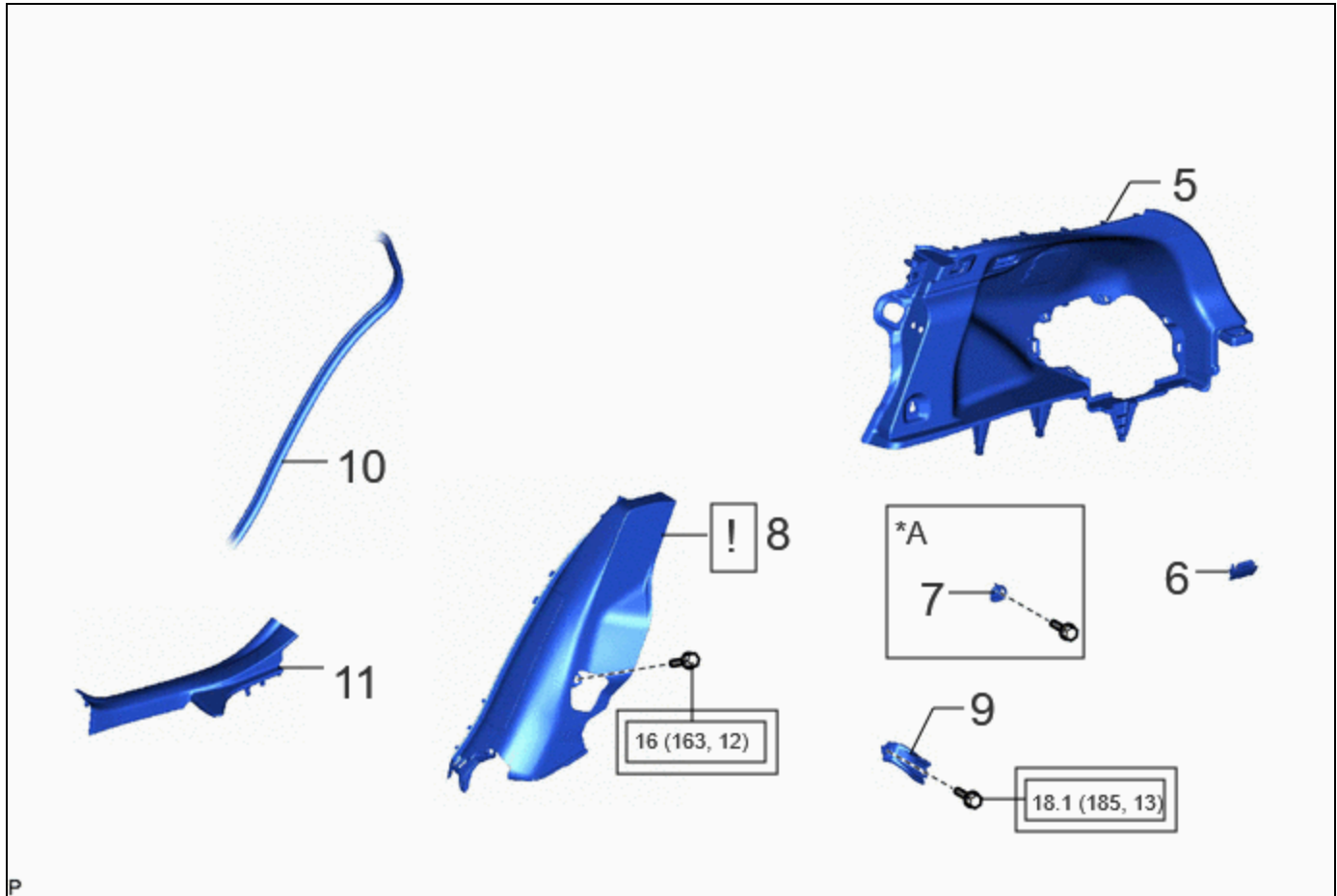
CAUTION / NOTICE / HINT




COMPONENTS (INSTALLATION)




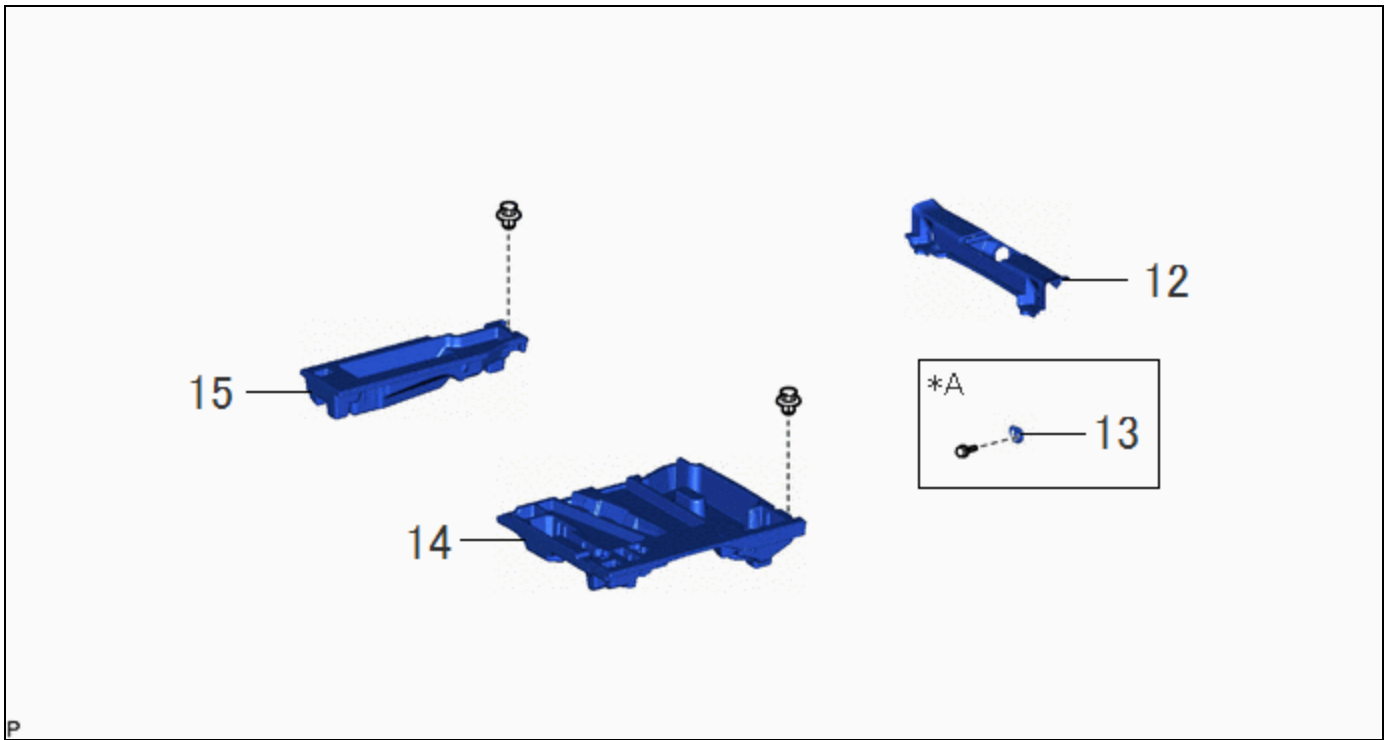
	PROCEDURE	PART NAME CODE			
1	BATTERY CHARGER CONNECTOR OPENING LID SUB-ASSEMBLY	58409E	-	-	-
2	BATTERY SERVICE OPENING LID SUB-ASSEMBLY	58209F	-	-	-
3	FUEL TANK CAP PLATE	-	-	-	-
4	AC CHARGER INLET CABLE	G9081C	INFO	-	-




	N*m (kgf*cm, ft.*lbf): Specified torque	-	-
---	---	---	---



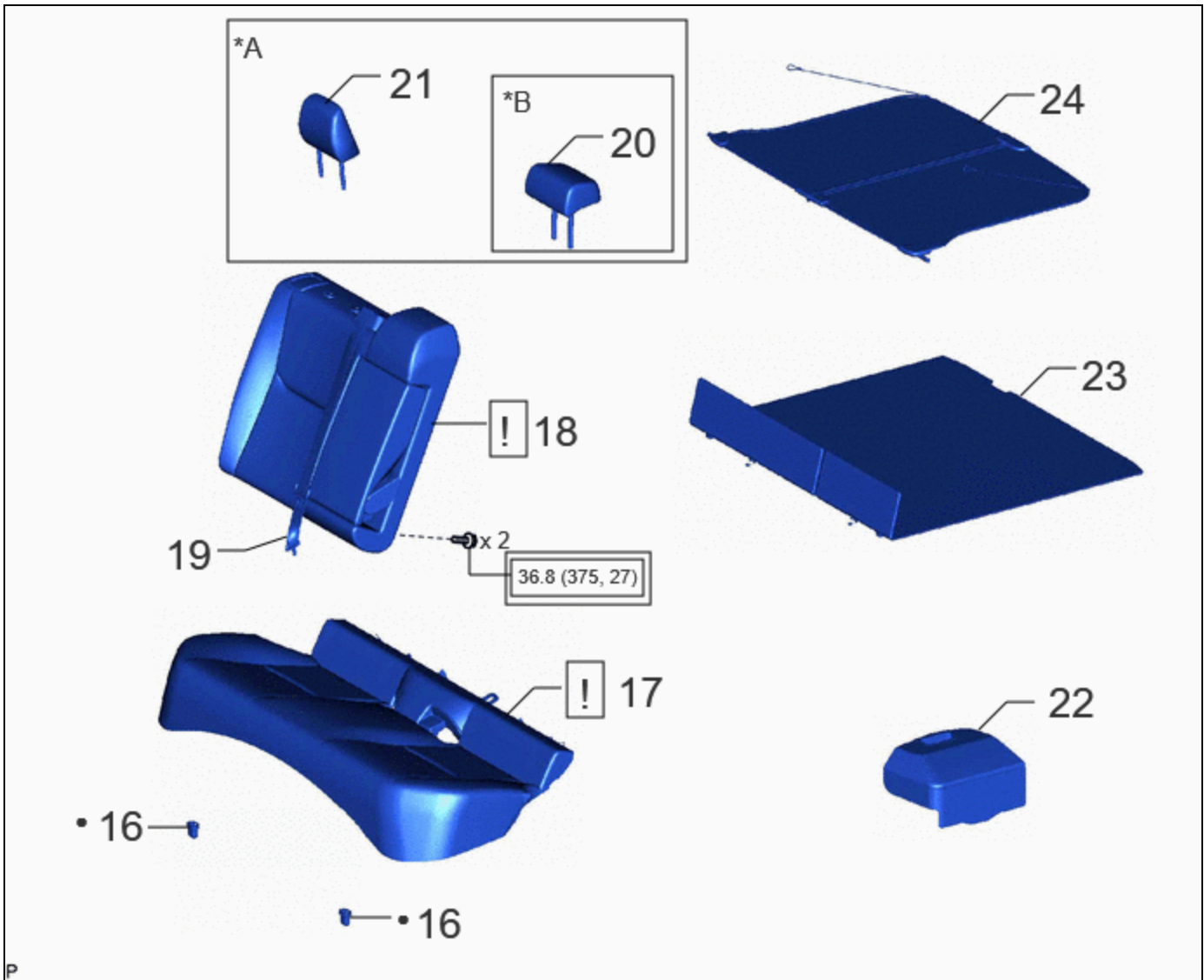
PROCEDURE		PART NAME CODE			
5	DECK TRIM SIDE PANEL ASSEMBLY RH	64730B	-	-	-
6	NO. 1 LUGGAGE COMPARTMENT LIGHT ASSEMBLY	81330	-	-	-
7	LUGGAGE HOLD BELT STRIKER ASSEMBLY	58460D	-	-	-
8	REAR SEAT SIDE GARNISH RH	62551F	INFO	-	-
9	REAR SEAT BACK HINGE SUB-ASSEMBLY RH	71303C	-	-	-
10	REAR DOOR OPENING TRIM WEATHERSTRIP RH	62331A	-	-	-
11	REAR DOOR SCUFF PLATE INSIDE RH	67917F	-	-	-

*A	for RH Side	-	-
	Tightening torque for "Major areas involving basic vehicle performance such as moving/turning/stopping": N*m (kgf*cm, ft.*lbf)	-	-




PROCEDURE		PART NAME CODE			
12	REAR DECK TRIM COVER	64716D	-	-	-
13	LUGGAGE HOLD BELT STRIKER ASSEMBLY	58460D	-	-	-
14	DECK FLOOR BOX LH	64997	-	-	-
15	DECK FLOOR BOX RH	64995	-	-	-

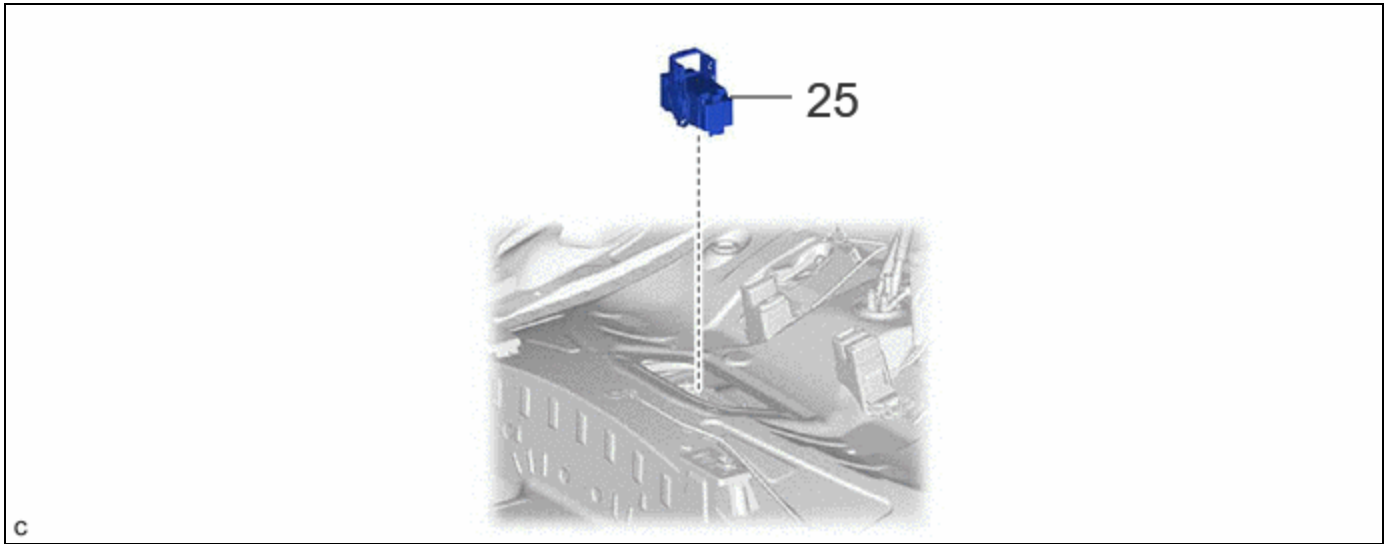
*A	for Rear Side	-	-
----	---------------	---	---






PROCEDURE		PART NAME CODE			
16	REAR SEAT CUSHION LOCK HOOK	72693	-	-	-
17	REAR SEAT CUSHION ASSEMBLY	-	INFO	-	-
18	REAR SEATBACK ASSEMBLY RH	-	INFO	-	-
19	REAR CENTER SEAT OUTER BELT ASSEMBLY	73350C	-	-	-
20	REAR SEAT CENTER HEADREST ASSEMBLY	71960B	-	-	-
21	REAR SEAT HEADREST ASSEMBLY	71940A	-	-	-
22	BATTERY SERVICE HOLE COVER ASSEMBLY	58440	-	-	-
23	DECK BOARD ASSEMBLY	58410B	-	-	-
24	TONNEAU COVER ASSEMBLY	64910J	-	-	-

*A	for RH Side	*B	w/ Center Headrest
----	-------------	----	--------------------

	Tightening torque for "Major areas involving basic vehicle performance such as moving/turning/stopping": N*m (kgf*cm, ft.*lbf)	<ul style="list-style-type: none"> • Non-reusable part
---	--	---



PROCEDURE	PART NAME CODE			
25 SERVICE PLUG GRIP	G3834	-	-	-

PROCEDURE

1. INSTALL BATTERY CHARGER CONNECTOR OPENING LID SUB-ASSEMBLY
2. INSTALL BATTERY SERVICE OPENING LID SUB-ASSEMBLY
3. INSTALL FUEL TANK CAP PLATE

Torque:

12 N·m {122 kgf·cm, 9 ft·lbf}

4. CONNECT AC CHARGER INLET CABLE

	<p>CAUTION: Be sure to wear insulated gloves.</p>
---	--

Torque:

Nut :

8.0 N·m {82 kgf·cm, 71 in·lbf}

Bolt :

10 N·m {102 kgf·cm, 7 ft·lbf}

5. INSTALL DECK TRIM SIDE PANEL ASSEMBLY RH
6. INSTALL NO. 1 LUGGAGE COMPARTMENT LIGHT ASSEMBLY

7. INSTALL LUGGAGE HOLD BELT STRIKER ASSEMBLY (for RH Side)**8. INSTALL REAR SEAT SIDE GARNISH RH****HINT:**

Use the same procedure as for the LH side.

Click here [INFO](#)

9. INSTALL REAR SEAT BACK HINGE SUB-ASSEMBLY RH**HINT:**

Use the same procedure as for the LH side.

Click here [INFO](#)

10. CONNECT REAR DOOR OPENING TRIM WEATHERSTRIP RH**11. INSTALL REAR DOOR SCUFF PLATE INSIDE RH****12. INSTALL REAR DECK TRIM COVER****13. INSTALL LUGGAGE HOLD BELT STRIKER ASSEMBLY (for Rear Side)****14. INSTALL DECK FLOOR BOX LH****15. INSTALL DECK FLOOR BOX RH****16. INSTALL REAR SEAT CUSHION LOCK HOOK****17. INSTALL REAR SEAT CUSHION ASSEMBLY****NOTICE:**

Confirm that the rear seat cushion assembly is securely installed.

18. INSTALL REAR SEATBACK ASSEMBLY RH**NOTICE:**

Confirm that the rear seat cushion assembly is securely installed.

19. CONNECT REAR CENTER SEAT OUTER BELT ASSEMBLY**20. INSTALL REAR SEAT CENTER HEADREST ASSEMBLY (for RH Side)****21. INSTALL REAR SEAT HEADREST ASSEMBLY (for RH Side)****22. INSTALL BATTERY SERVICE HOLE COVER ASSEMBLY****23. INSTALL DECK BOARD ASSEMBLY****24. INSTALL TONNEAU COVER ASSEMBLY****25. INSTALL SERVICE PLUG GRIP**

Click here 