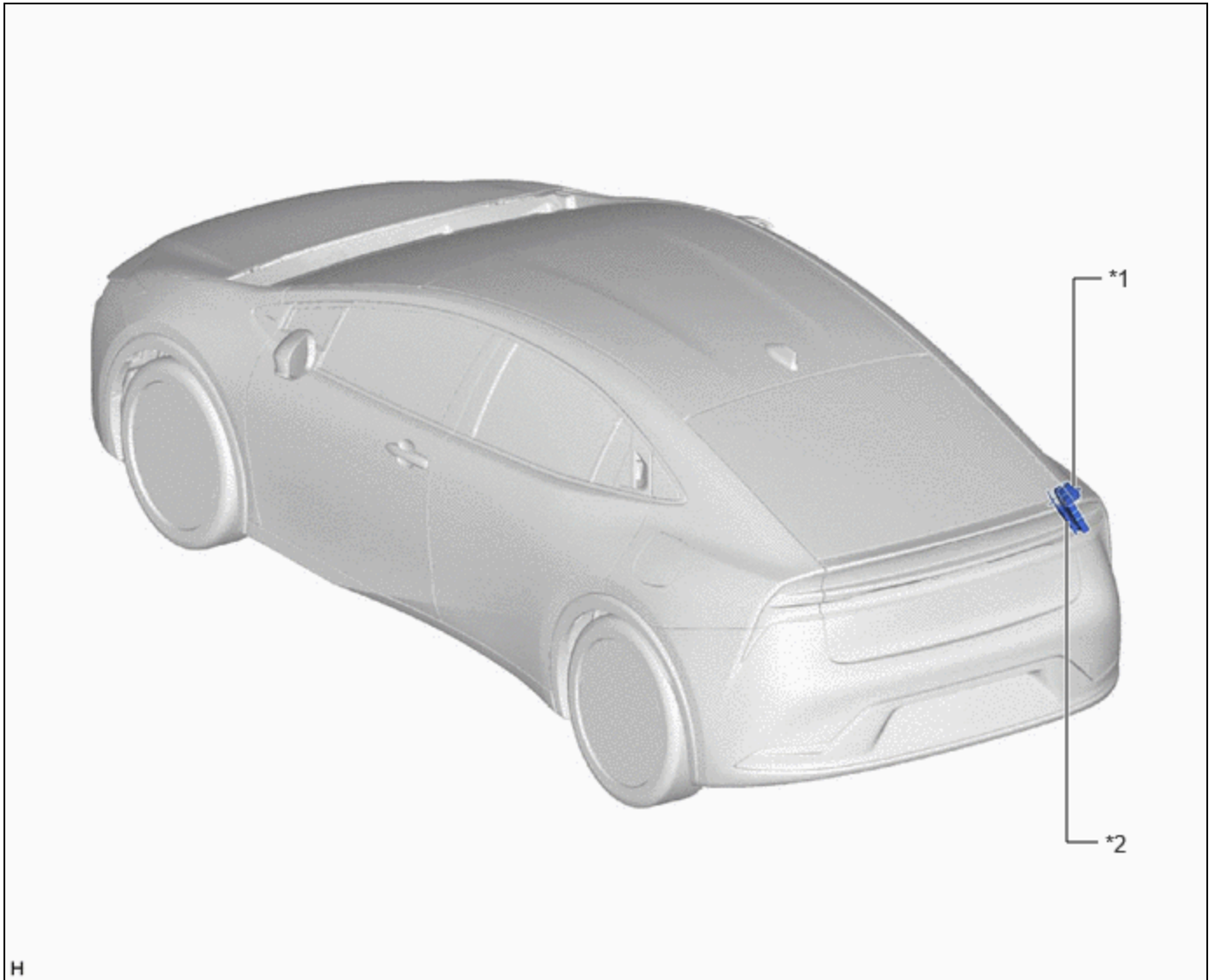


<b>Last Modified:</b> 12-04-2024	6.11:8.1.0	<b>Doc ID:</b> RM100000002B779
<b>Model Year Start:</b> 2023	<b>Model:</b> Prius Prime	<b>Prod Date Range:</b> [03/2023 - ]
<b>Title:</b> DOOR / HATCH: CHARGE LID OPENER SYSTEM: PARTS LOCATION; 2023 - 2024 MY Prius Prius Prime [03/2023 - ]		

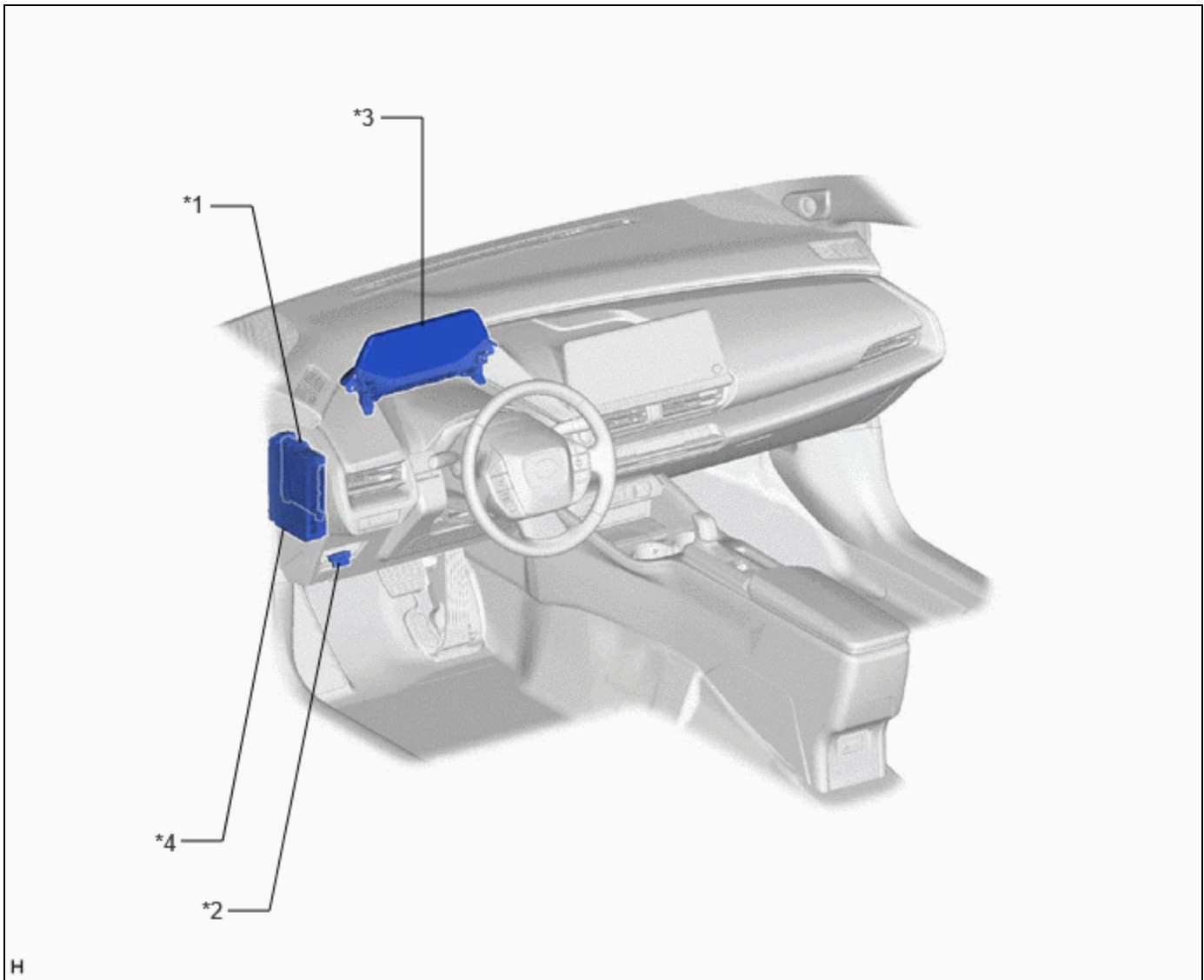
## PARTS LOCATION

## ILLUSTRATION



*1	CHARGE LID WITH MOTOR LOCK ASSEMBLY - COURTESY SWITCH	*2	PLUGIN CHARGE CONTROL ECU ASSEMBLY
----	--	----	------------------------------------

## ILLUSTRATION



*1	MAIN BODY ECU (MULTIPLEX NETWORK BODY ECU)	*2	DLC3
*3	COMBINATION METER ASSEMBLY	*4	POWER DISTRIBUTION BOX ASSEMBLY - ECU-B NO.3 FUSE

