

| | | |
|--|---------------------------|--------------------------------------|
| Last Modified: 12-04-2024 | 6.11:8.1.0 | Doc ID: RM10000000296MV |
| Model Year Start: 2023 | Model: Prius Prime | Prod Date Range: [12/2022 -] |
| Title: DOOR / HATCH: BACK DOOR SUPPORT: DISPOSAL; 2023 - 2024 MY Prius Prius Prime [12/2022 -] | | |

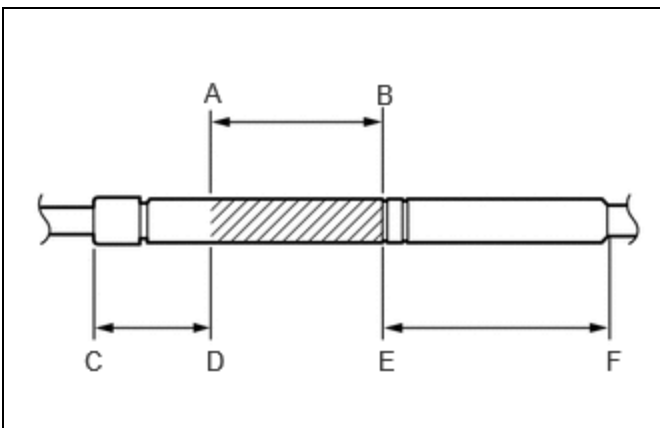
DISPOSAL

CAUTION / NOTICE / HINT

PROCEDURE

1. DISPOSE OF BACK DOOR STAY ASSEMBLY

- (a) Horizontally hold the back door stay assembly in a vise with the piston rod pulled out.
- (b) Wear safety glasses. Gradually cut a part between A and B shown in the illustration using a metal saw to release the gas.



| AREA | MEASUREMENT |
|------|----------------------|
| A-B | 132.5 mm (5.217 in.) |
| C-D | 115 mm (4.528 in.) |
| E-F | 200 mm (7.874 in.) |

CAUTION:

Although the gas inside the back door stay assembly is colorless, odorless and harmless, there is a possibility that metal debris could scatter. Therefore, cover it with a piece of cloth or other material.

