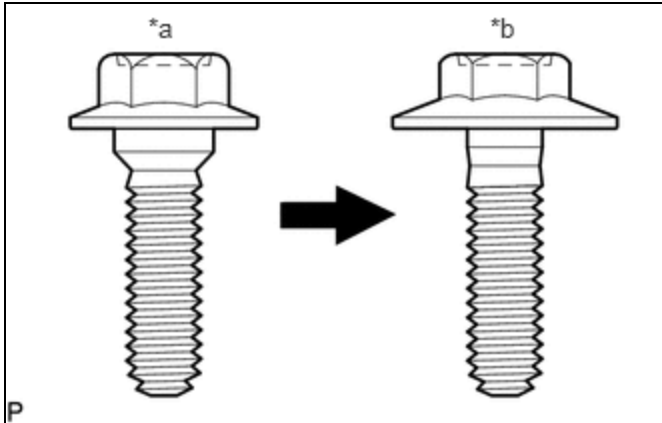


Last Modified: 12-04-2024	6.11:8.1.0	Doc ID: RM1000000029256
Model Year Start: 2023	Model: Prius Prime	Prod Date Range: [12/2022 -]
Title: DOOR / HATCH: BACK DOOR: ADJUSTMENT; 2023 - 2024 MY Prius Prius Prime [12/2022 -]		

ADJUSTMENT

CAUTION / NOTICE / HINT



*a	Centering Bolt
*b	Standard Bolt

HINT:

- Centering bolts are used to install the door hinges to the vehicle body and door. The door cannot be adjusted with the centering bolts installed. Substitute the centering bolts with standard bolts (with washers) when making adjustments.
- The specified torque for standard bolts is shown in the standard bolt chart.

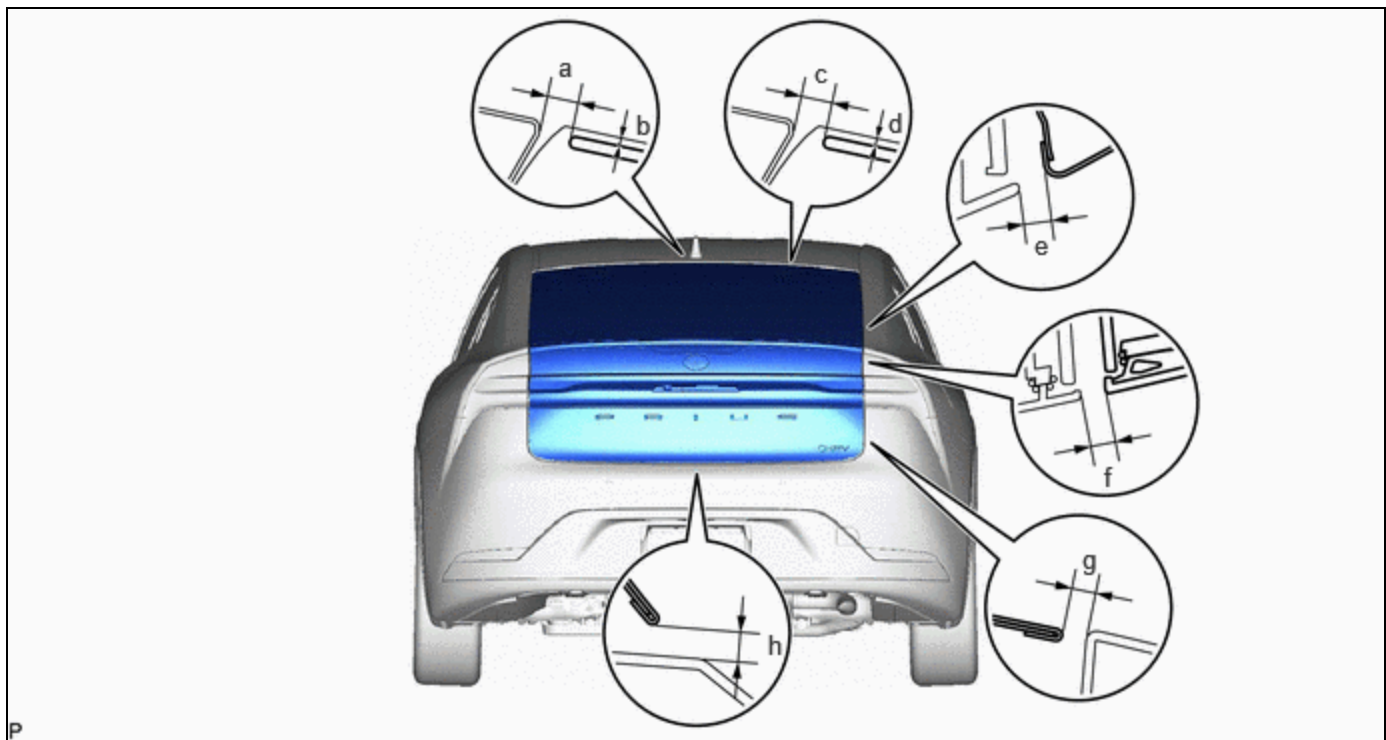
Click here [INFO](#)

PROCEDURE

1. INSPECT BACK DOOR

(a) for Normal Roof:

- (1) Check that the clearance measurements of areas a through h are within each standard range.

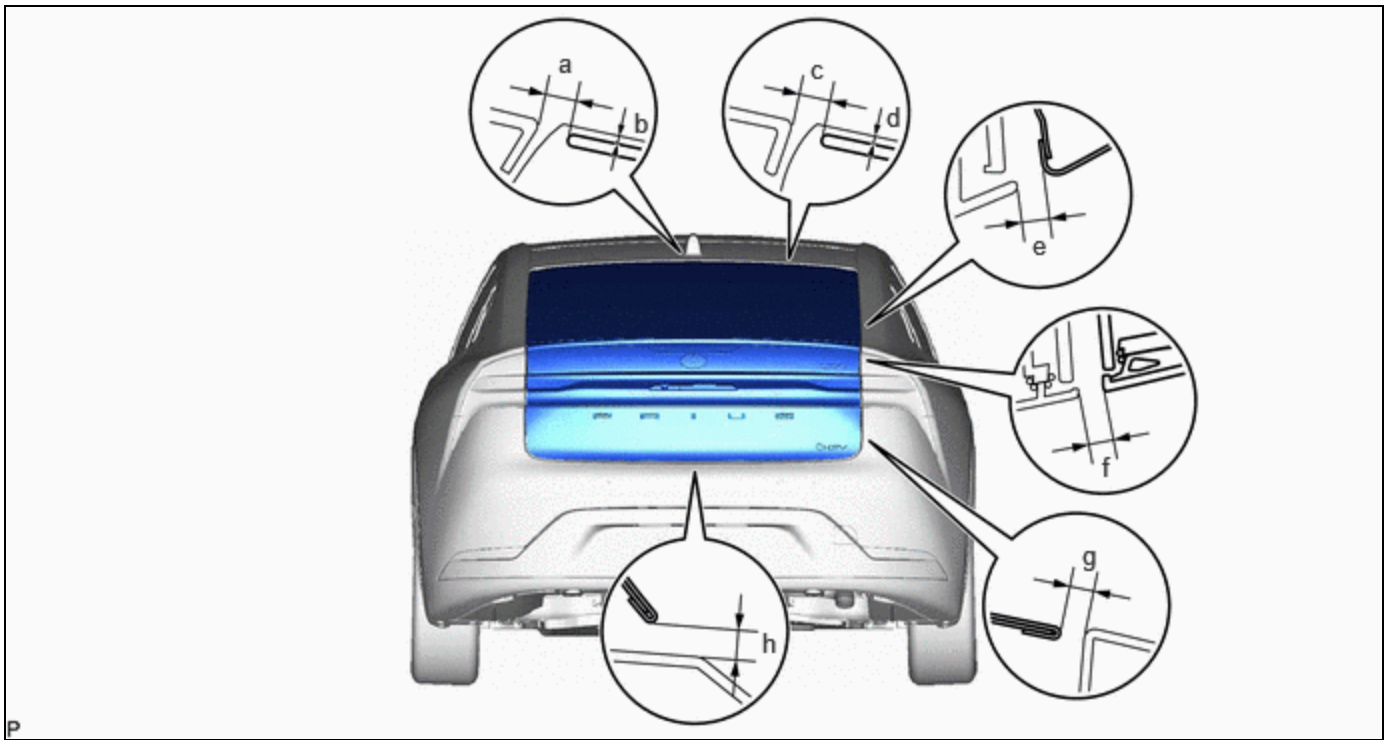


Standard Clearance

AREA	MEASUREMENT	AREA	MEASUREMENT
a	6.6 to 10.6 mm (0.260 to 0.417 in.)	b	0 to 4.0 mm (0 to 0.157 in.)
c	6.6 to 10.6 mm (0.260 to 0.417 in.)	d	-0.1 to 3.9 mm (-0.004 to 0.154 in.)
e	4.0 to 8.0 mm (0.157 to 0.315 in.)	f	3.4 to 8.4 mm (0.134 to 0.331 in.)
g	3.1 to 8.1 mm (0.122 to 0.319 in.)	h	5.8 to 9.9 mm (0.228 to 0.390 in.)

(b) except Normal Roof:

(1) Check that the clearance measurements of areas a through h are within each standard range.



Standard Clearance

AREA	MEASUREMENT	AREA	MEASUREMENT
a	6.5 to 11.5 mm (0.256 to 0.453 in.)	b	-0.5 to 4.5 mm (-0.020 to 0.177 in.)
c	6.5 to 11.5 mm (0.256 to 0.453 in.)	d	-0.4 to 4.6 mm (-0.016 to 0.181 in.)
e	4.0 to 8.0 mm (0.157 to 0.315 in.)	f	3.4 to 8.4 mm (0.134 to 0.331 in.)
g	3.1 to 8.1 mm (0.122 to 0.319 in.)	h	5.8 to 9.9 mm (0.228 to 0.390 in.)

2. REMOVE DECK BOARD ASSEMBLY

Click here [INFO](#)

3. REMOVE DECK FLOOR BOX RH

Click here [INFO](#)

4. REMOVE DECK FLOOR BOX LH

Click here [INFO](#)

5. REMOVE BATTERY SERVICE HOLE COVER ASSEMBLY (w/ Battery Cover)

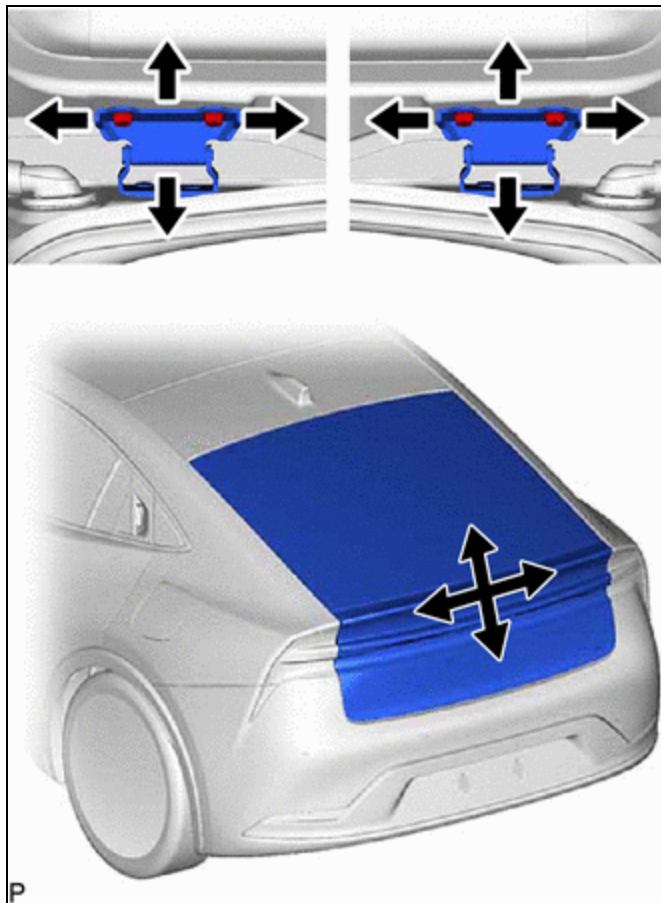
Click here [INFO](#)

6. REMOVE REAR DECK TRIM COVER

Click here [INFO](#)

7. ADJUST BACK DOOR

- (a) Loosen the 4 hinge bolts on the back door and adjust the back door position.

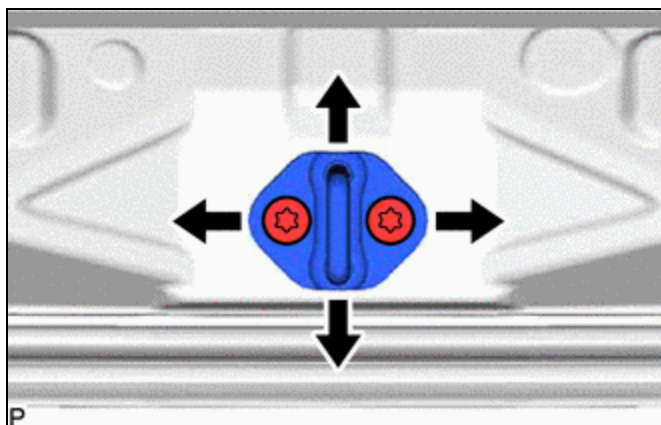


(b) Tighten the 4 hinge bolts on the vehicle body after adjustment.

Torque:

19 N·m {194 kgf·cm, 14 ft·lbf}

(c) Using a T40 "TORX" socket wrench, slightly loosen the 2 striker mounting screws.



(d) Using a brass bar and a hammer, hit the striker to adjust its position.

(e) Using a T40 "TORX" socket wrench, tighten the 2 striker mounting screws after adjustment.

Torque:

23 N·m {235 kgf·cm, 17 ft·lbf}

8. INSTALL REAR DECK TRIM COVER

9. INSTALL BATTERY SERVICE HOLE COVER ASSEMBLY (w/ Battery Cover)

10. INSTALL DECK FLOOR BOX LH

11. INSTALL DECK FLOOR BOX RH

12. INSTALL DECK BOARD ASSEMBLY

