

Last Modified: 12-04-2024	6.11:8.1.0	Doc ID: RM10000002A4CN
Model Year Start: 2023	Model: Prius Prime	Prod Date Range: [12/2022 -]
Title: TIRE PRESSURE MONITORING: TIRE PRESSURE WARNING VALVE: DISPOSAL; 2023 - 2024 MY Prius Prius Prime [12/2022 -]		

DISPOSAL

CAUTION / NOTICE / HINT

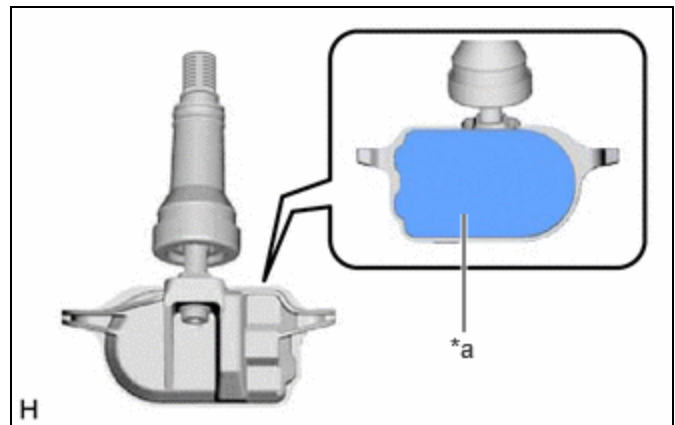
HINT:

The tire pressure warning valve and transmitter is powered by a lithium battery. When disposing of the tire pressure warning valve and transmitter, remove the battery and dispose of it properly.

PROCEDURE

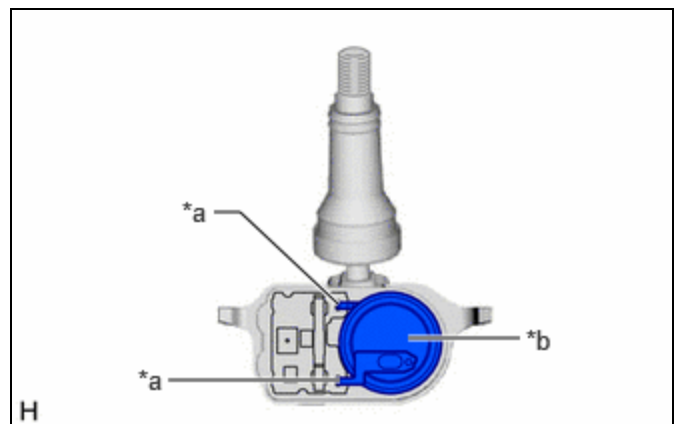
1. DISPOSE OF TIRE PRESSURE WARNING VALVE AND TRANSMITTER

(a) Remove the urethane that protects the lithium battery and the circuit board.



*a	Urethane
----	----------

(b) Cut the 2 terminals to remove the lithium battery from the tire pressure warning valve and transmitter.



*a	Terminal
*b	Lithium Battery

