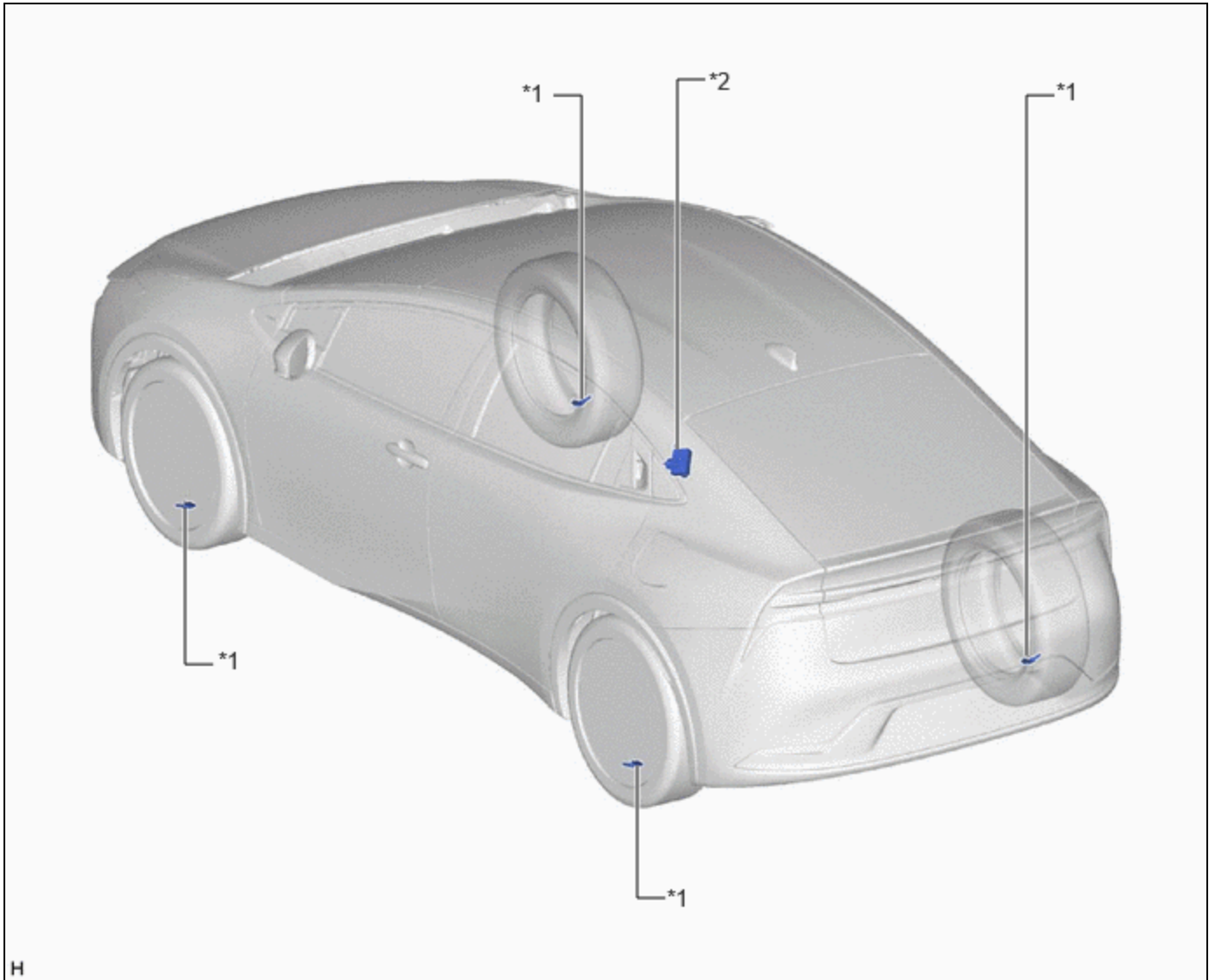


<b>Last Modified:</b> 12-04-2024	6.11:8.1.0	<b>Doc ID:</b> RM100000028NQE
<b>Model Year Start:</b> 2023	<b>Model:</b> Prius Prime	<b>Prod Date Range:</b> [12/2022 - ]
<b>Title:</b> TIRE PRESSURE MONITORING: TIRE PRESSURE WARNING SYSTEM: PARTS LOCATION; 2023 - 2024 MY Prius Prius Prime [12/2022 - ]		

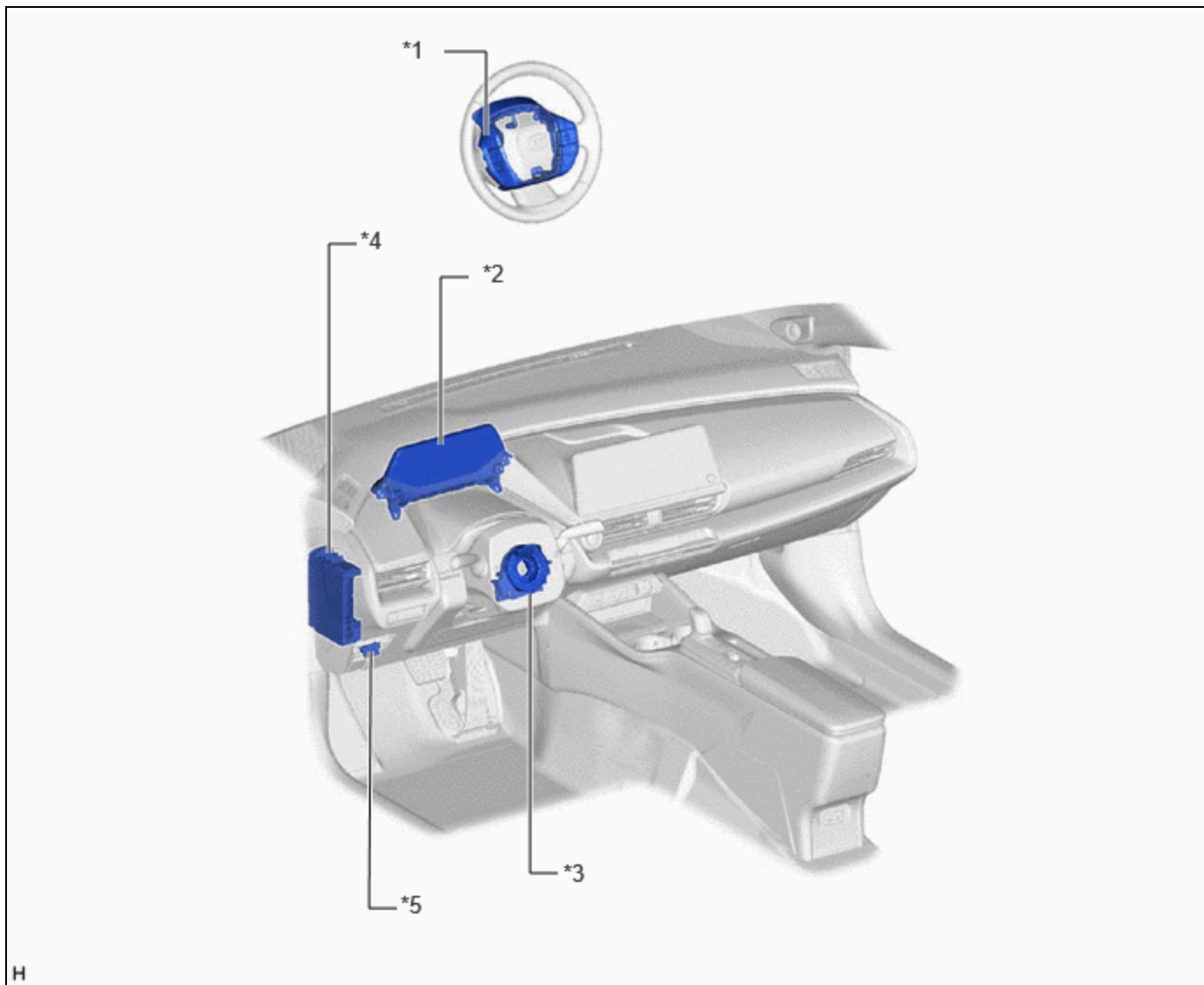
## PARTS LOCATION

### ILLUSTRATION



*1	TIRE PRESSURE WARNING VALVE AND TRANSMITTER	*2	TIRE PRESSURE WARNING ECU AND RECEIVER
----	---	----	--

### ILLUSTRATION



H

*1	STEERING PAD SWITCH ASSEMBLY	*2	COMBINATION METER ASSEMBLY - TIRE PRESSURE WARNING LIGHT - MULTI-INFORMATION DISPLAY
*3	SPIRAL CABLE SUB-ASSEMBLY	*4	POWER DISTRIBUTION BOX ASSEMBLY - ECU-IGR NO. 1 FUSE - ECU-B NO. 2 FUSE
*5	DLC3	-	-

**ILLUSTRATION**



H

*1	BRAKE ACTUATOR ASSEMBLY - NO. 2 SKID CONTROL ECU	-	-
----	---	---	---

