

Last Modified: 12-04-2024	6.11:8.1.0	Doc ID: RM100000002A358
Model Year Start: 2023	Model: Prius Prime	Prod Date Range: [12/2022 -]
Title: MAINTENANCE: TIRE AND WHEEL: REMOVAL; 2023 - 2024 MY Prius Prius Prime [12/2022 -]		

REMOVAL

CAUTION / NOTICE / HINT

The necessary procedures (adjustment, calibration, initialization, or registration) that must be performed after parts are removed and installed, or replaced during wheel assembly removal/installation are shown below.

Necessary Procedures After Parts Removed/Installed/Replaced

REPLACED PART OR PERFORMED PROCEDURE	NECESSARY PROCEDURE	EFFECT/INOPERATIVE FUNCTION WHEN NECESSARY PROCEDURE NOT PERFORMED	LINK
Tires	<ul style="list-style-type: none"> Initialization*1*2 Tire Position Identification*1*2 	Tire Pressure Warning System	Refer to Procedures Necessary When Replacing Parts (for Tire Pressure Warning System) INFO INFO
	Rear television camera assembly optical axis (Back camera position setting)*3	Parking Assist Monitor System	INFO
	Parking assist ECU initialization*3	Panoramic View Monitor System	INFO
		Advanced Park	INFO

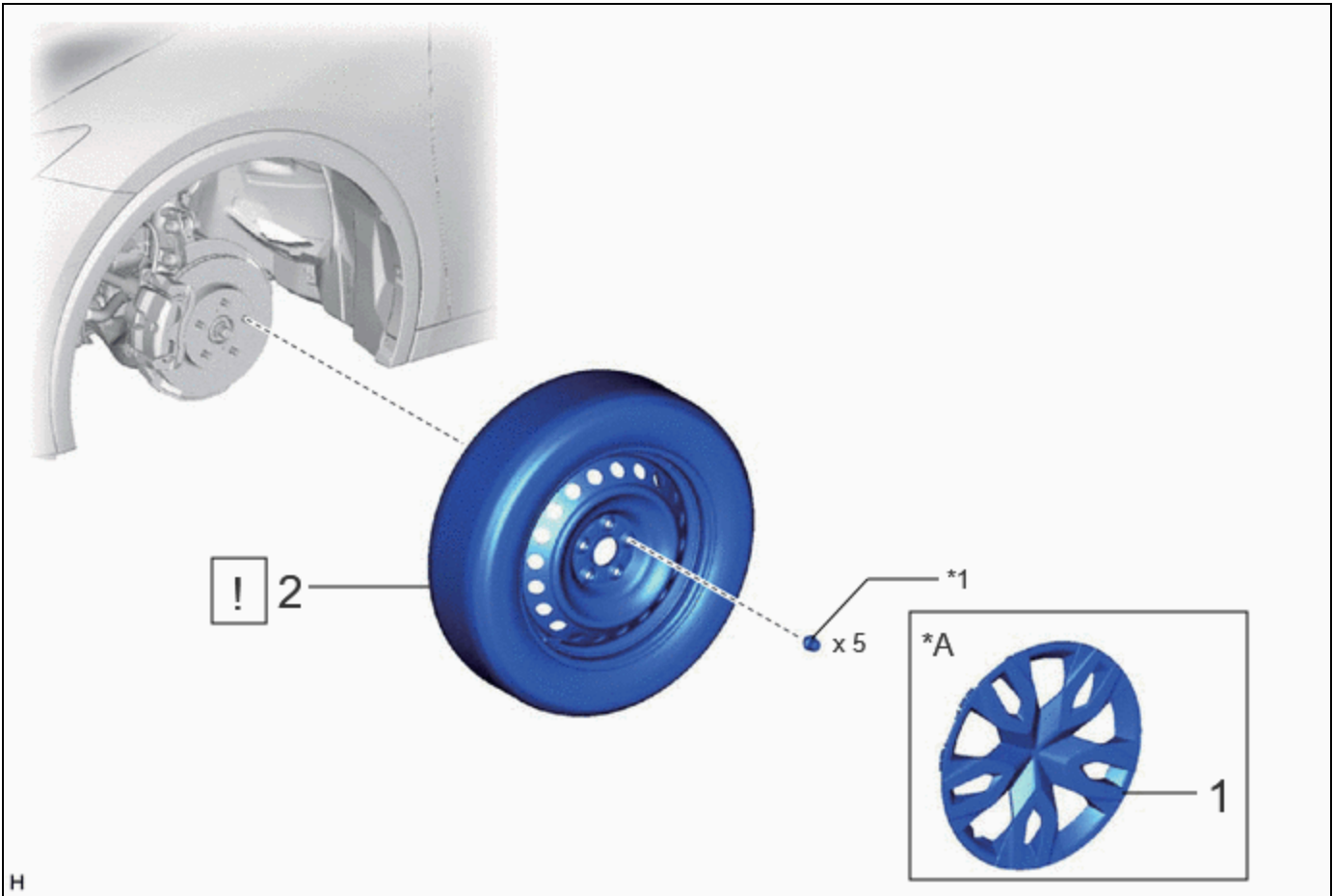
*1: Also necessary after performing a tire rotation.

*2: It is not necessary to perform this procedure if the tire pressure warning valve and transmitters are installed to the same location.

*3: The vehicle height changes because of tire replacement.

CAUTION / NOTICE / HINT

COMPONENTS (REMOVAL)

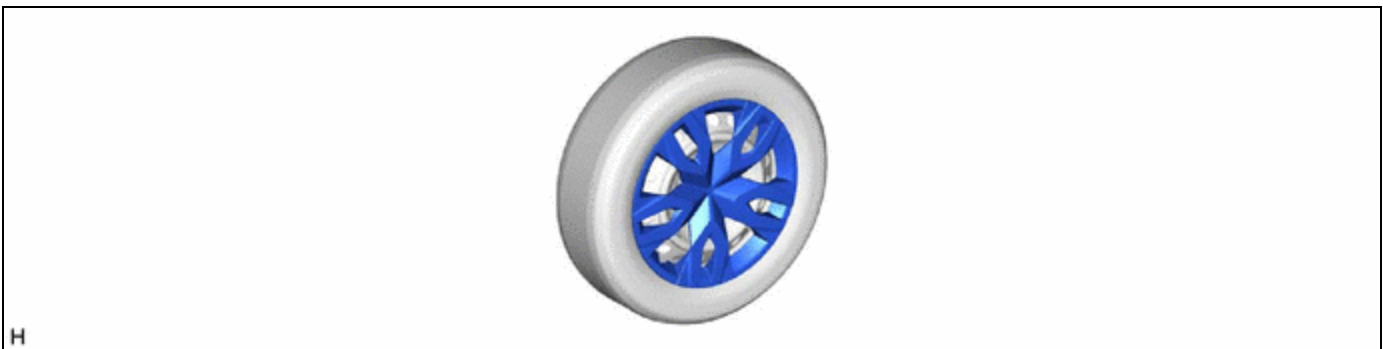


PROCEDURE	PART NAME CODE	!	📄	⚙️
1 WHEEL CAP	42621	-	-	-
2 WHEEL ASSEMBLY	-	INFO	-	-

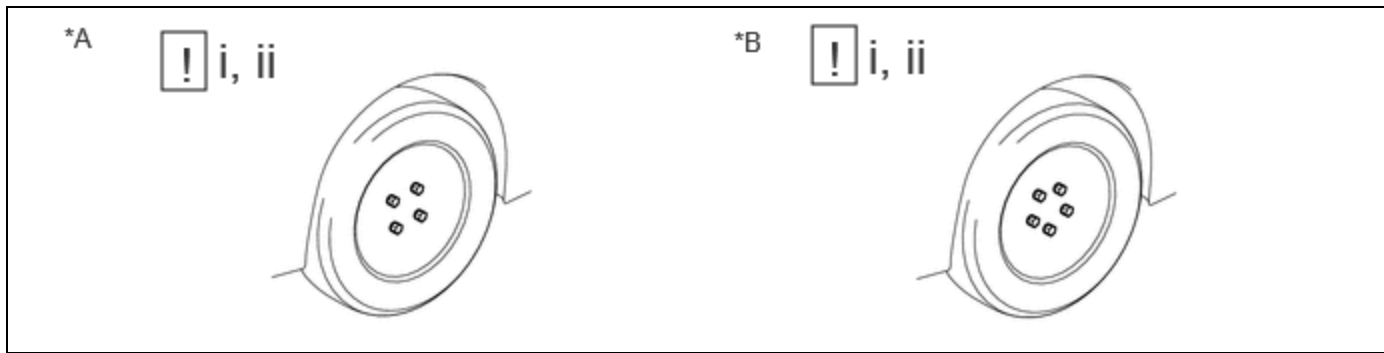
*A	w/ Wheel Cap	-	-
*1	AXLE HUB NUT	-	-

PROCEDURE

1. REMOVE WHEEL CAP (w/ Wheel Cap)



2. REMOVE WHEEL ASSEMBLY



*A	for 4 Bolt Axle Hub	*B	for 5 Bolt Axle Hub
----	---------------------	----	---------------------

- (1) Loosen the axle hub nuts approximately 90°.
- (2) Lift up the vehicle and remove the axle hub nuts and wheel assembly.

