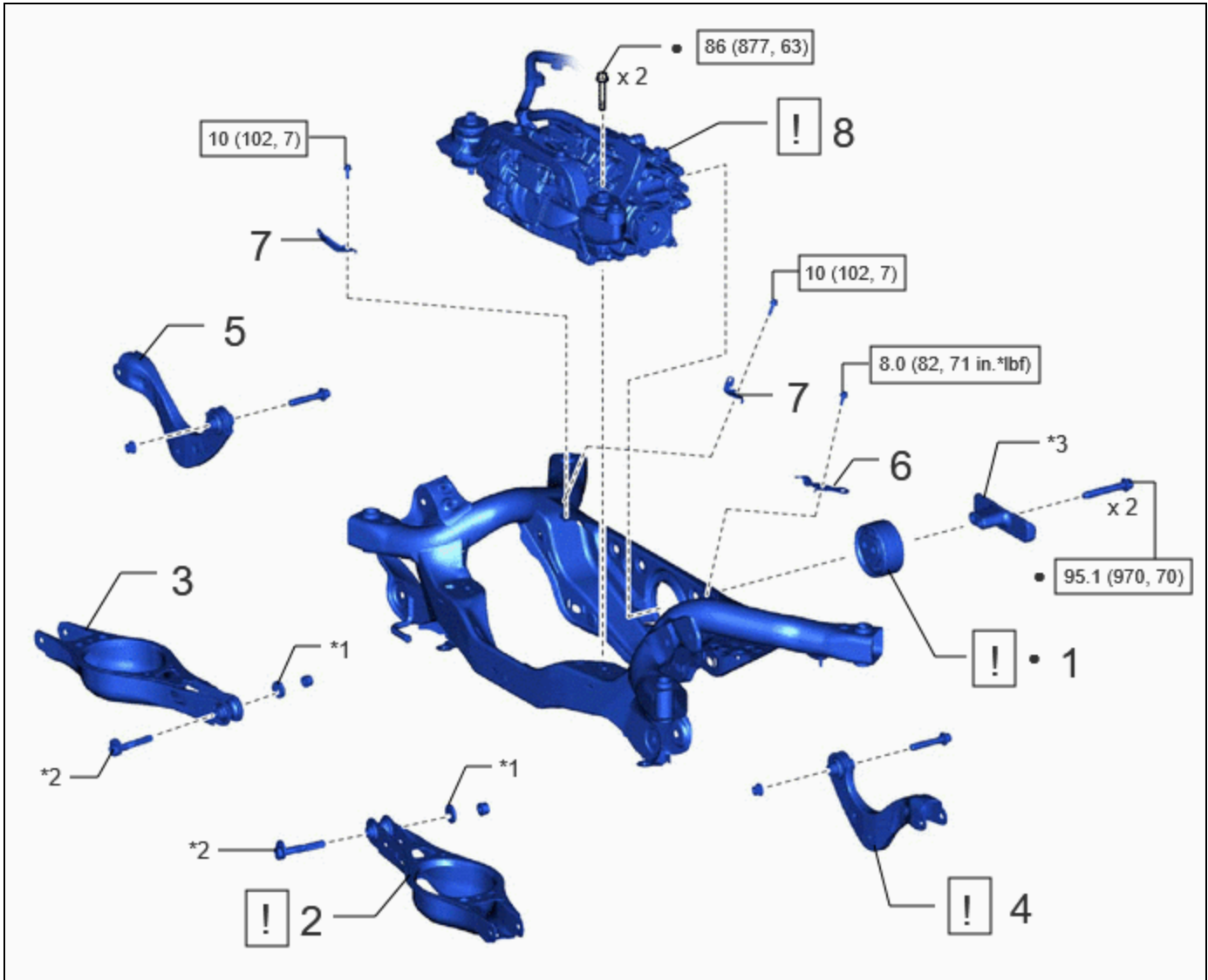


Last Modified: 12-04-2024	6.11:8.1.0	Doc ID: RM1000000029HIF
Model Year Start: 2023	Model: Prius Prime	Prod Date Range: [12/2022 -]
Title: REAR SUSPENSION: REAR SUSPENSION MEMBER (for AWD): INSTALLATION; 2023 - 2024 MY Prius Prius Prime [12/2022 -]		




INSTALLATION


CAUTION / NOTICE / HINT

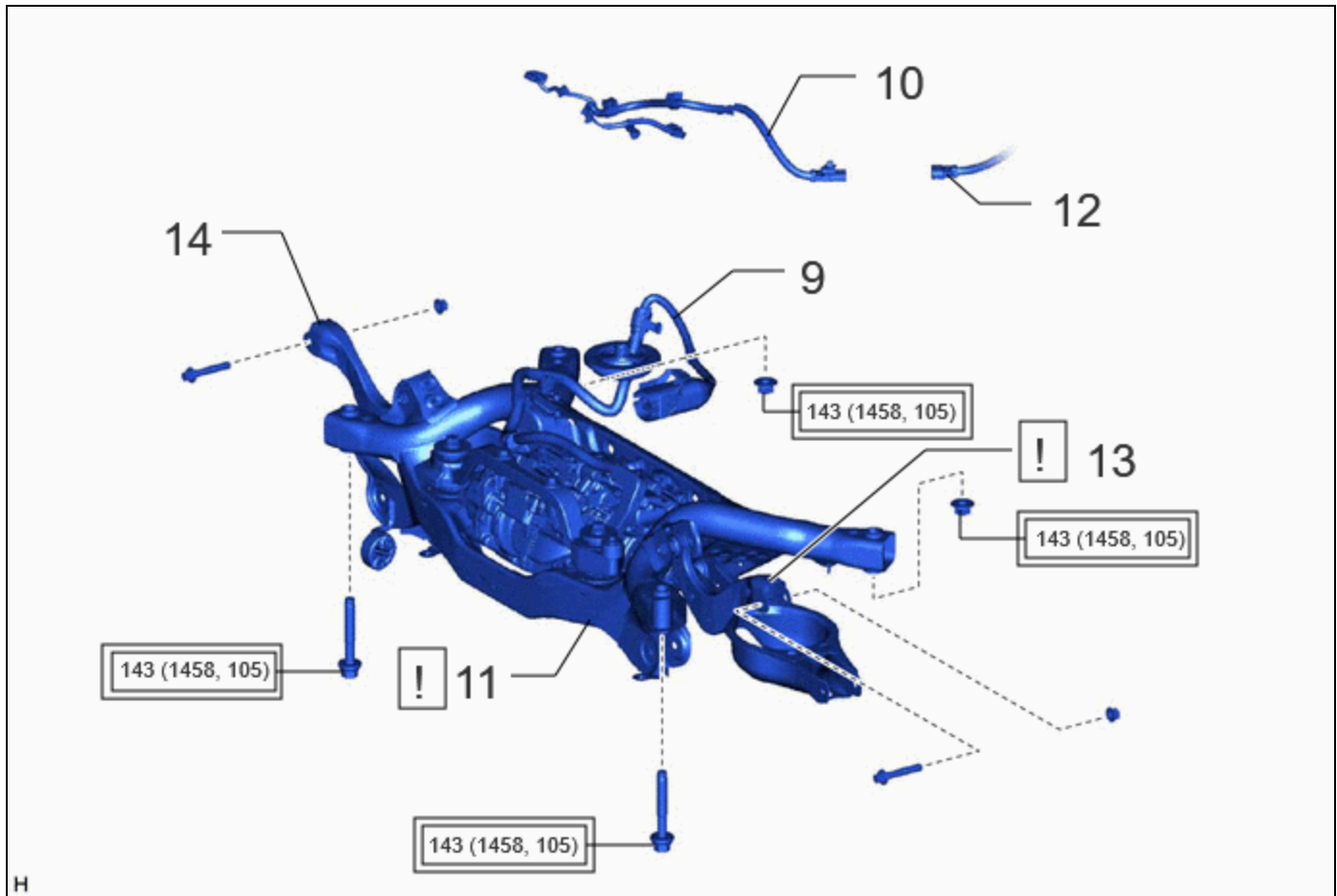
COMPONENTS (INSTALLATION)







	PROCEDURE	PART NAME CODE			
1	DIFFERENTIAL MOUNT CUSHION	41651G	INFO	-	-
2	REAR NO. 2 SUSPENSION ARM ASSEMBLY LH	48740F	INFO	-	-

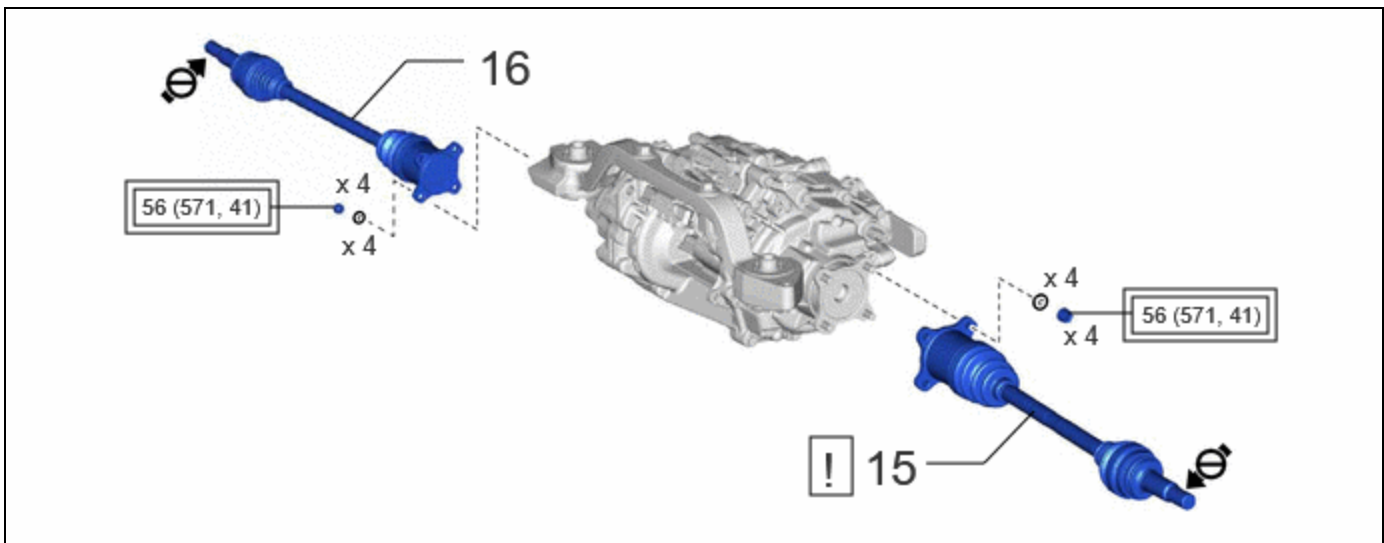
PROCEDURE		PART NAME CODE			
3	REAR NO. 2 SUSPENSION ARM ASSEMBLY RH	48730F	-	-	-
4	REAR UPPER CONTROL ARM ASSEMBLY LH	48790	INFO	-	-
5	REAR UPPER CONTROL ARM ASSEMBLY RH	48770A	-	-	-
6	WIRE HARNESS CLAMP BRACKET	-	-	-	-
7	MOTOR CABLE BRACKET	-	-	-	-
8	REAR TRACTION MOTOR WITH TRANSAXLE ASSEMBLY	G1050	INFO	-	-




*1	NO. 2 CAMBER ADJUST CAM	*2	REAR SUSPENSION TOE ADJUST CAM SUB-ASSEMBLY
*3	DIFFERENTIAL MASS DAMPER	-	-
	N*m (kgf*cm, ft.*lbf): Specified torque	•	Non-reusable part





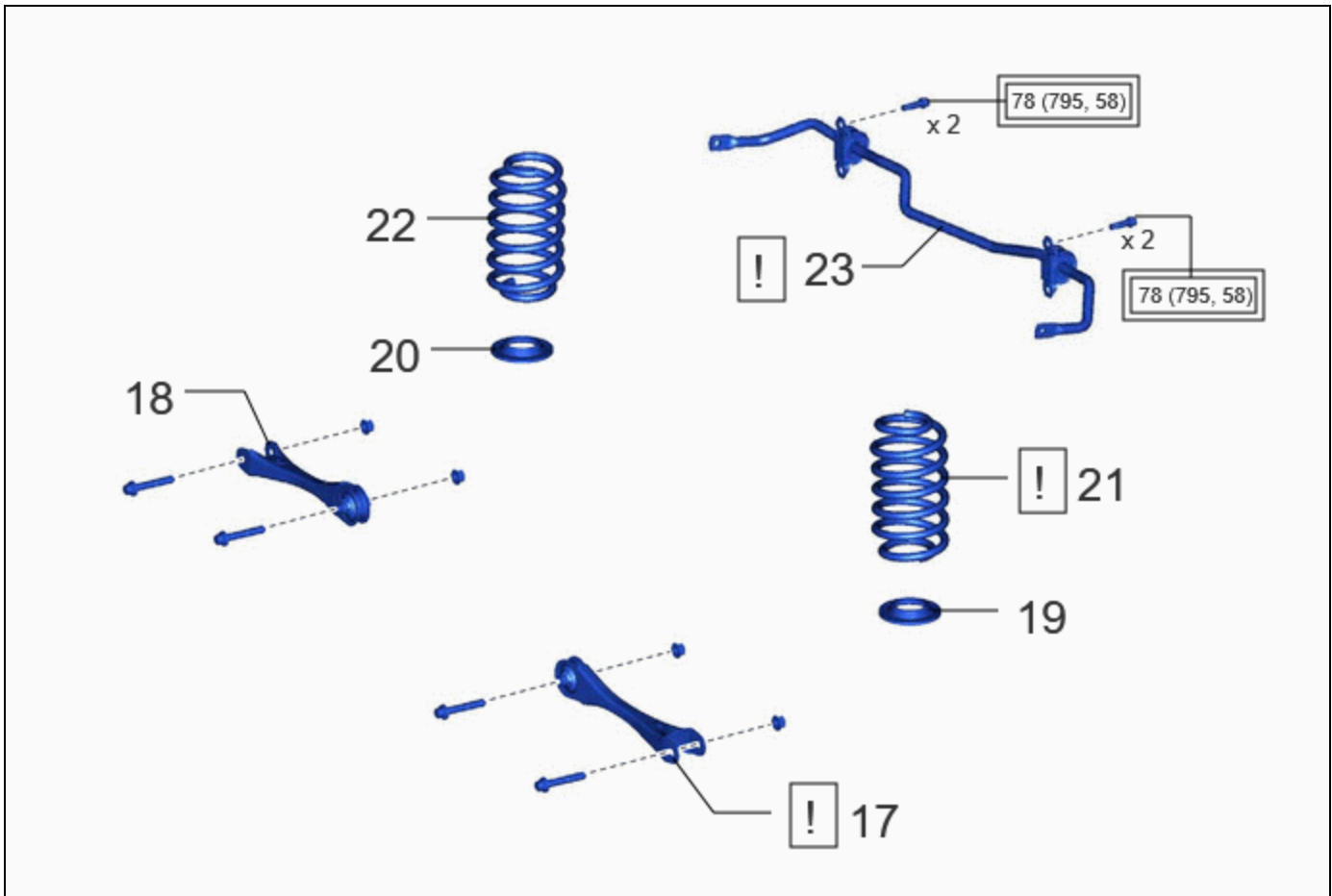
	PROCEDURE	PART NAME CODE			
9	REAR TRACTION MOTOR CABLE	G1149	-	-	-
10	NO. 6 FLOOR WIRE	82169A	-	-	-
11	REAR SUSPENSION MEMBER SUB-ASSEMBLY	51206A	INFO	-	-
12	FRAME WIRE	-	-	-	-
13	REAR UPPER CONTROL ARM ASSEMBLY LH	48790	INFO	-	-
14	REAR UPPER CONTROL ARM ASSEMBLY RH	48770A	-	-	-

	Tightening torque for "Major areas involving basic vehicle performance such as moving/turning/stopping": N*m (kgf*cm, ft.*lbf)	-	-
---	--	---	---



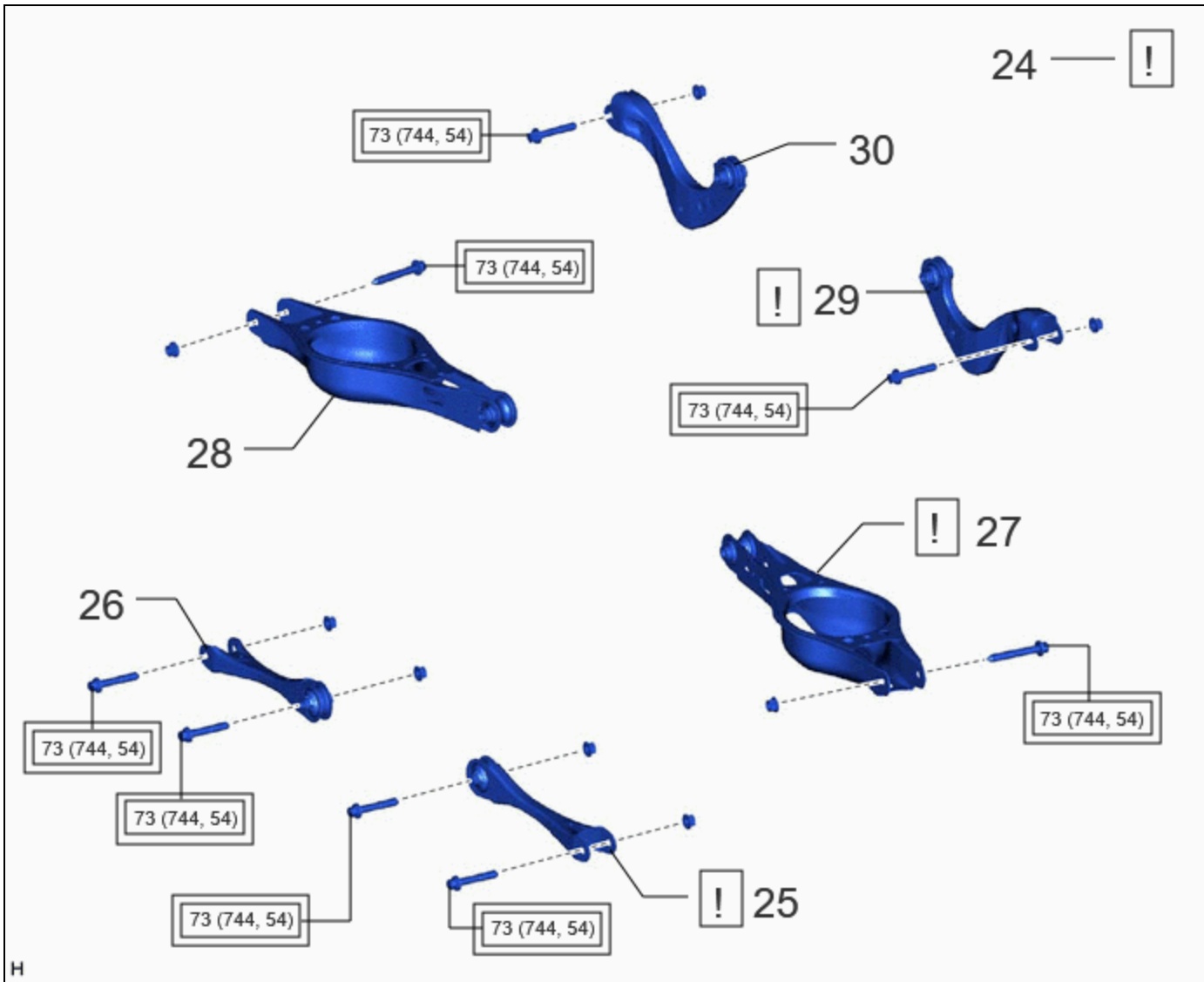
	PROCEDURE	PART NAME CODE			
15	REAR DRIVE SHAFT ASSEMBLY LH	42340B	INFO	-	-
16	REAR DRIVE SHAFT ASSEMBLY RH	42330	-	-	-

	Tightening torque for "Major areas involving basic vehicle performance such as moving/turning/stopping": N*m (kgf*cm, ft.*lbf)		Do not apply lubricants to the threaded parts
---	--	---	---



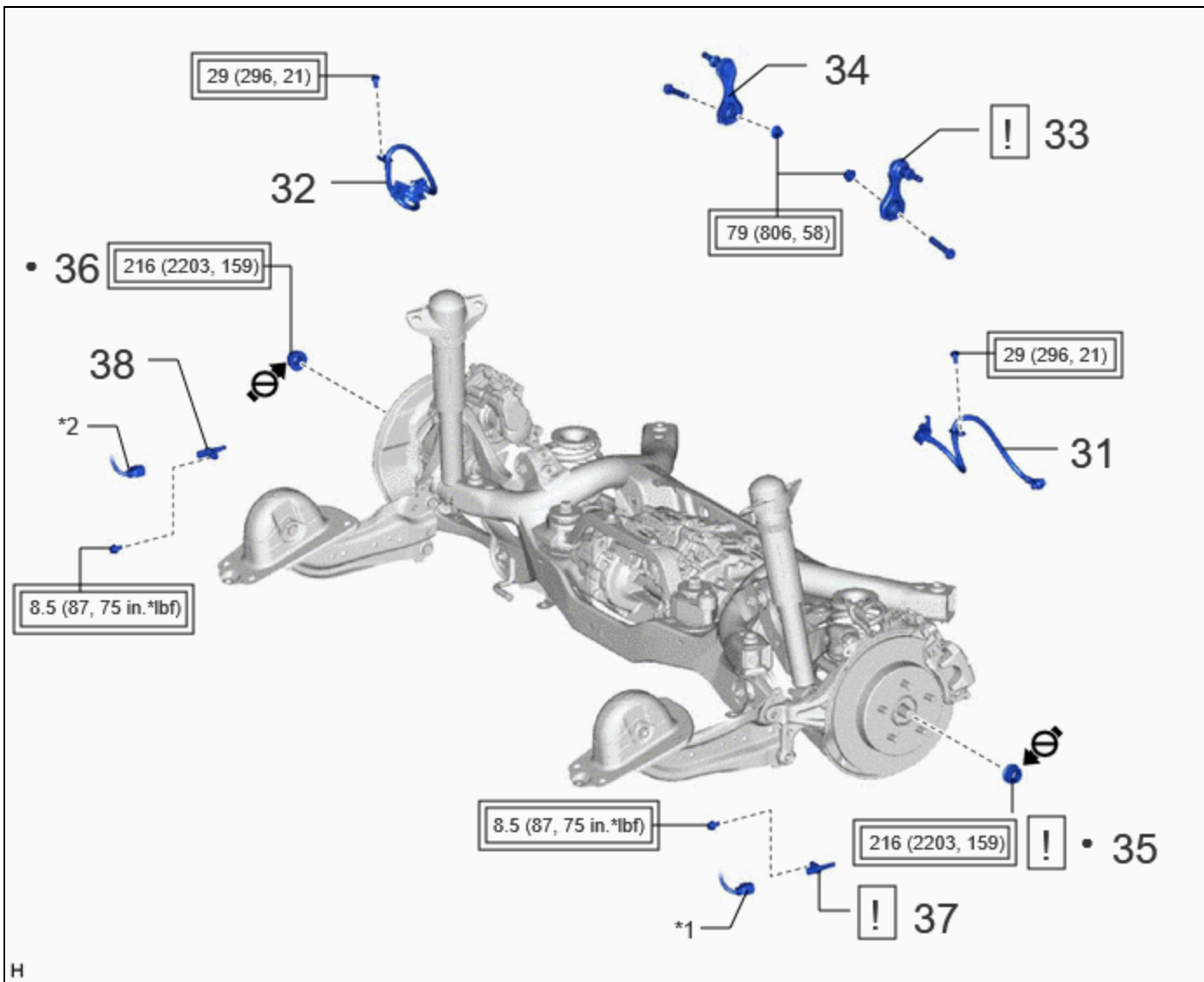
	PROCEDURE	PART NAME CODE			
17	REAR NO. 1 SUSPENSION ARM ASSEMBLY LH	48720A	INFO	-	-
18	REAR NO. 1 SUSPENSION ARM ASSEMBLY RH	48710A	-	-	-
19	REAR LOWER COIL SPRING INSULATOR LH	48258C	-	-	-
20	REAR LOWER COIL SPRING INSULATOR RH	48258B	-	-	-
21	REAR COIL SPRING LH	48231B	INFO	-	-
22	REAR COIL SPRING RH	48231A	-	-	-
23	REAR STABILIZER BAR	48812	INFO	-	-

	Tightening torque for "Major areas involving basic vehicle performance such as moving/turning/stopping": N*m (kgf*cm, ft.*lbf)	-	-
--	--	---	---



	PROCEDURE	PART NAME CODE			
24	STABILIZE SUSPENSION	-	INFO	-	-
25	REAR NO. 1 SUSPENSION ARM ASSEMBLY LH	48720A	INFO	-	-
26	REAR NO. 1 SUSPENSION ARM ASSEMBLY RH	48710A	-	-	-
27	REAR NO. 2 SUSPENSION ARM ASSEMBLY LH	48740F	INFO	-	-
28	REAR NO. 2 SUSPENSION ARM ASSEMBLY RH	48730F	-	-	-
29	REAR UPPER CONTROL ARM ASSEMBLY LH	48790	INFO	-	-
30	REAR UPPER CONTROL ARM ASSEMBLY RH	48770A	-	-	-



	Tightening torque for "Major areas involving basic vehicle performance such as moving/turning/stopping": N*m (kgf*cm, ft.*lbf)	-	-
--	--	---	---

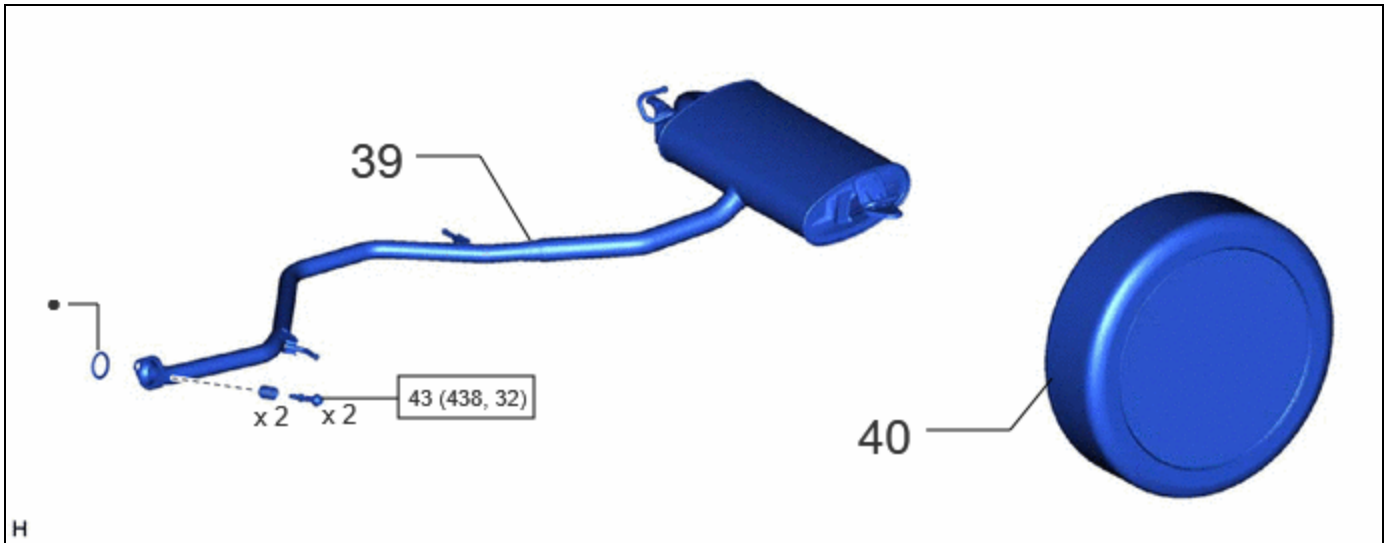





H

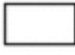
PROCEDURE		PART NAME CODE	!	📄	⚙️
31	REAR FLEXIBLE HOSE LH	47319F	-	-	-
32	REAR FLEXIBLE HOSE RH	47318F	-	-	-
33	REAR STABILIZER LINK ASSEMBLY LH	48840A	INFO	-	-
34	REAR STABILIZER LINK ASSEMBLY RH	48830D	-	-	-
35	REAR AXLE SHAFT NUT (for LH Side)	42312B	INFO	-	-
36	REAR AXLE SHAFT NUT (for RH Side)	42312B	-	-	-
37	REAR SKID CONTROL SENSOR LH	89544E	INFO	-	-
38	REAR SKID CONTROL SENSOR RH	89544D	-	-	-

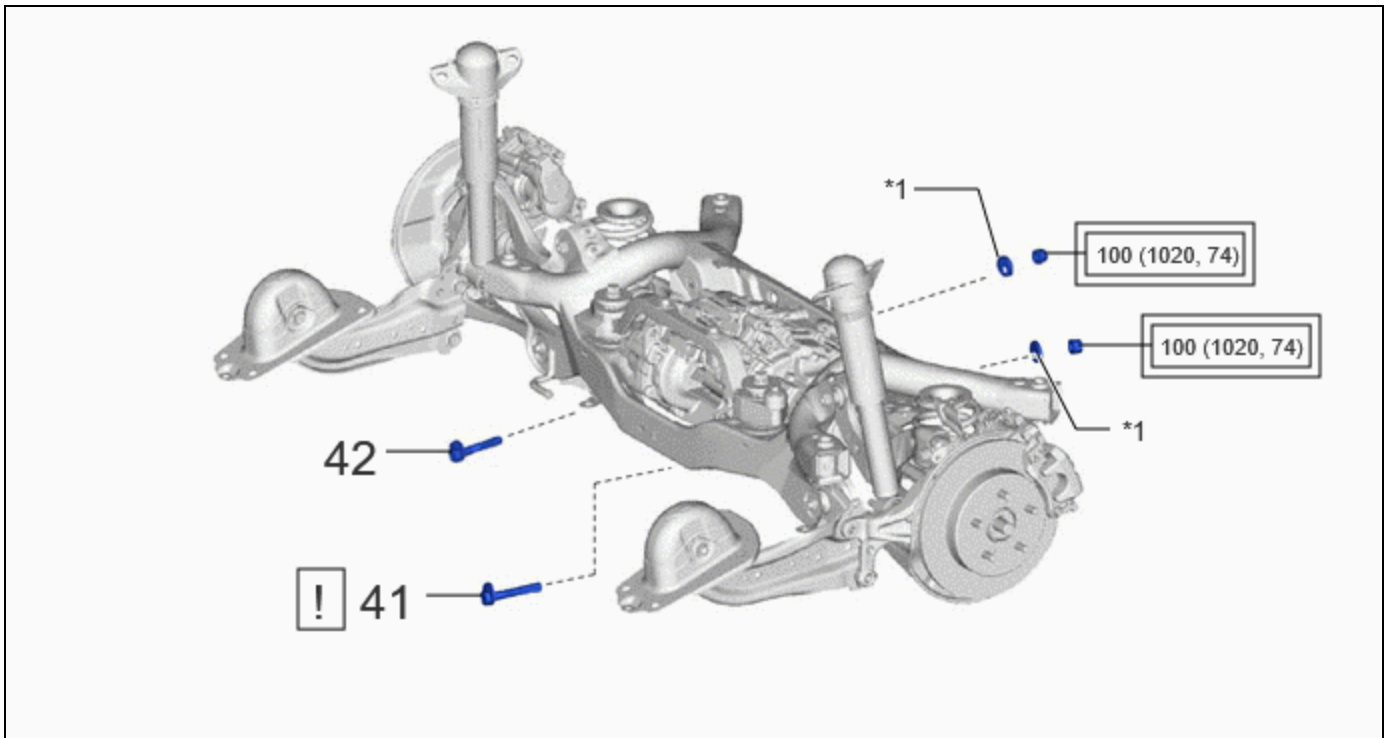
*1	NO. 2 PARKING BRAKE WIRE ASSEMBLY	*2	NO. 1 PARKING BRAKE WIRE ASSEMBLY
----	-----------------------------------	----	-----------------------------------

	Tightening torque for "Major areas involving basic vehicle performance such as moving/turning/stopping": N*m (kgf*cm, ft.*lbf)		Do not apply lubricants to the threaded parts
<ul style="list-style-type: none"> • 	Non-reusable part	-	-



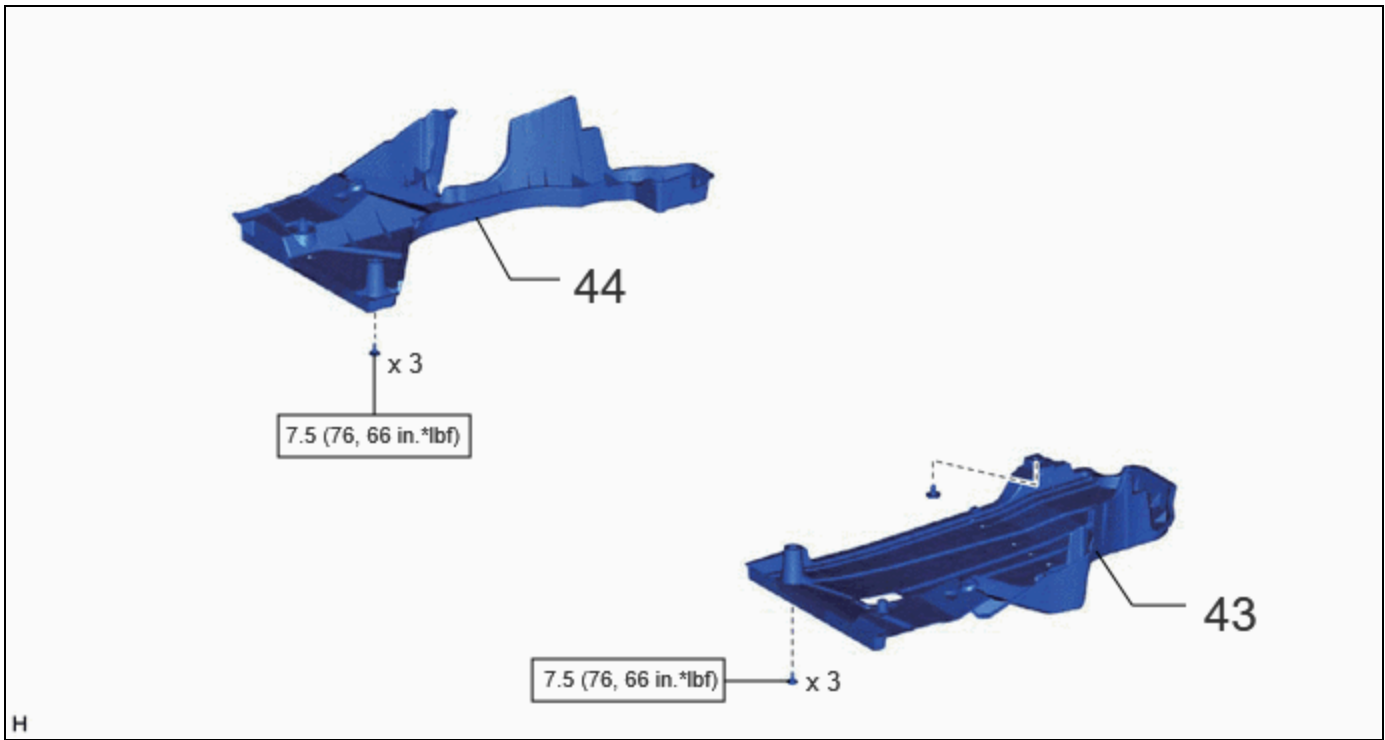
	PROCEDURE	PART NAME CODE			
39	TAIL EXHAUST PIPE ASSEMBLY	17430	-	-	-
40	REAR WHEEL	-	-	-	-




	N*m (kgf*cm, ft.*lbf): Specified torque	<ul style="list-style-type: none"> • Non-reusable part
---	---	---

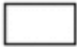


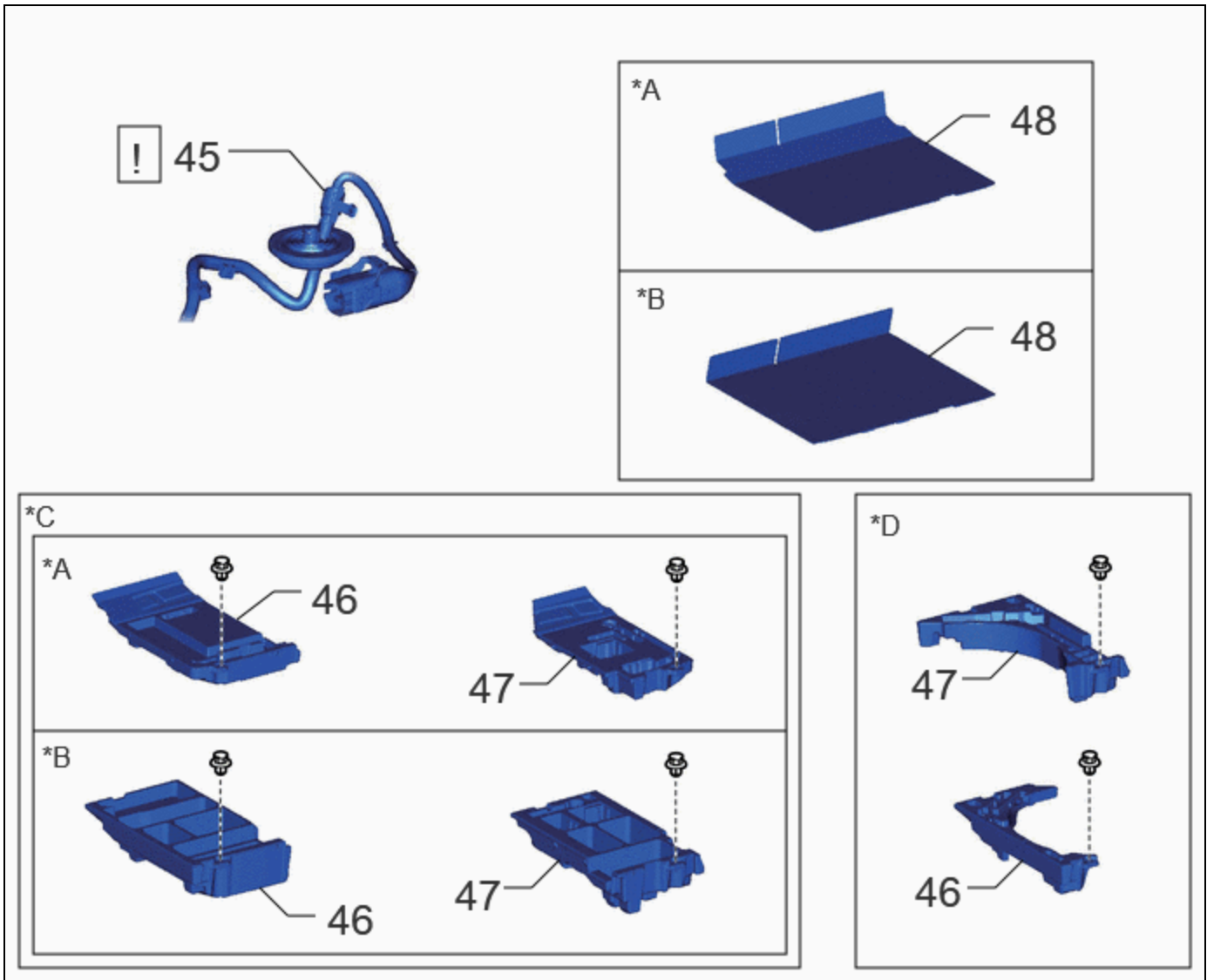
PROCEDURE		PART NAME CODE			
41	REAR SUSPENSION TOE ADJUST CAM SUB-ASSEMBLY (for LH Side)	48409	INFO	-	-
42	REAR SUSPENSION TOE ADJUST CAM SUB-ASSEMBLY (for RH Side)	48409	-	-	-

*1	NO. 2 CAMBER ADJUST CAM	-	-
	Tightening torque for "Major areas involving basic vehicle performance such as moving/turning/stopping": N*m (kgf*cm, ft.*lbf)	-	-



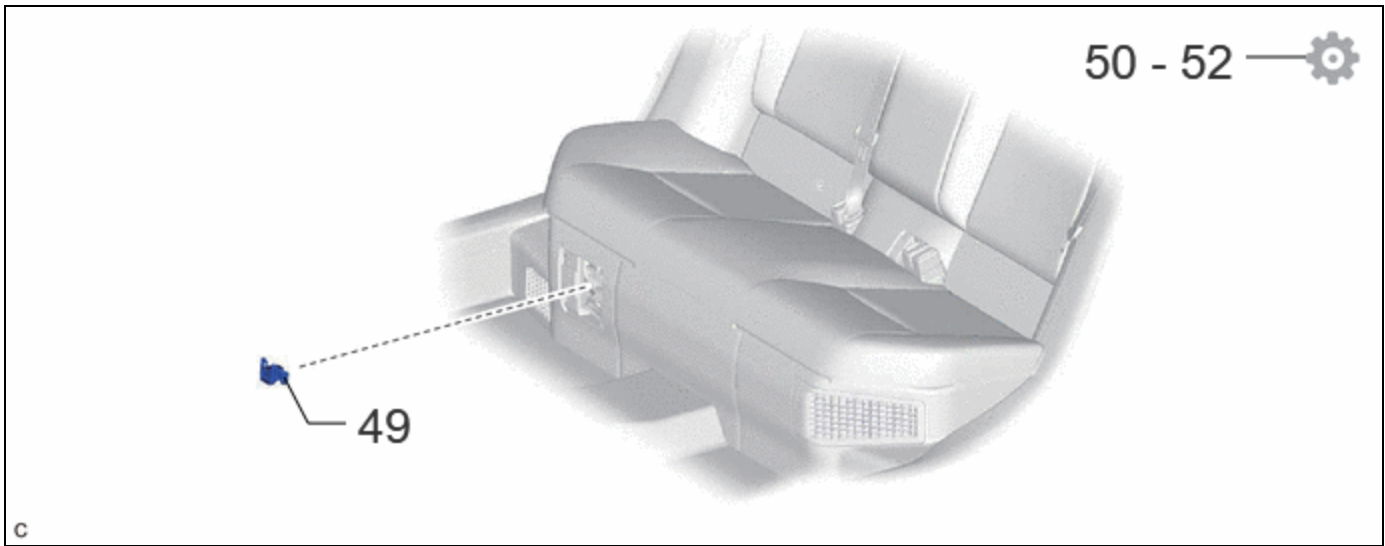
PROCEDURE		PART NAME CODE			
43	REAR FLOOR SIDE MEMBER COVER LH	57628E	-	-	-
44	REAR FLOOR SIDE MEMBER COVER RH	57627G	-	-	-

	N*m (kgf*cm, ft.*lbf): Specified torque	-	-
---	---	---	---



PROCEDURE		PART NAME CODE			
45	REAR TRACTION MOTOR CABLE	G1149	INFO	-	-
46	DECK FLOOR BOX LH	64997	-	-	-
47	DECK FLOOR BOX RH	64995	-	-	-
48	DECK BOARD ASSEMBLY	58410B	-	-	-

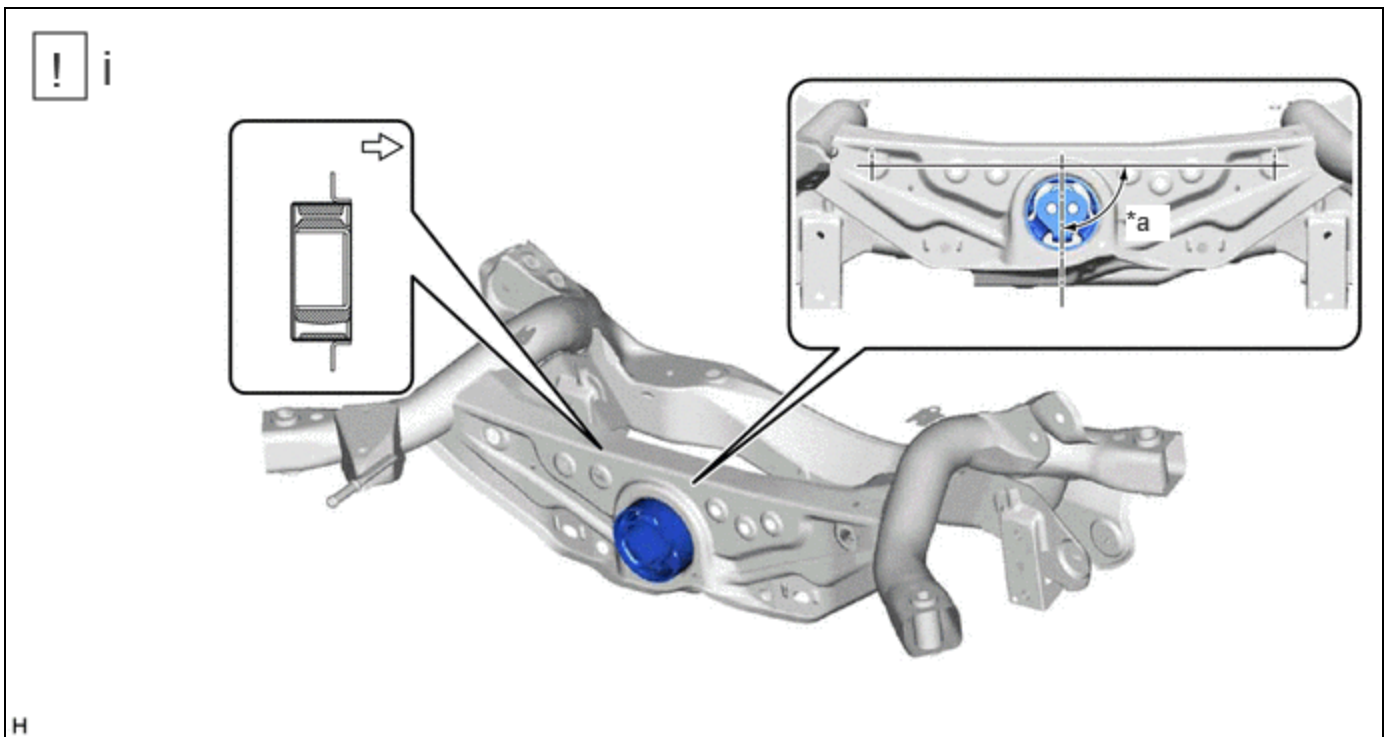
*A	for Type A	*B	for Type B
*C	w/o Spare Tire	*D	w/ Spare Tire




PROCEDURE		PART NAME CODE			
49	SERVICE PLUG GRIP	G3834	-	-	-
50	INSPECT FOR EXHAUST GAS LEAK	-	-	-	INFO
51	INSPECT AND ADJUST REAR WHEEL ALIGNMENT	-	-	-	INFO
52	PERFORM INITIALIZATION	-	-	-	INFO

PROCEDURE

1. INSTALL DIFFERENTIAL MOUNT CUSHION



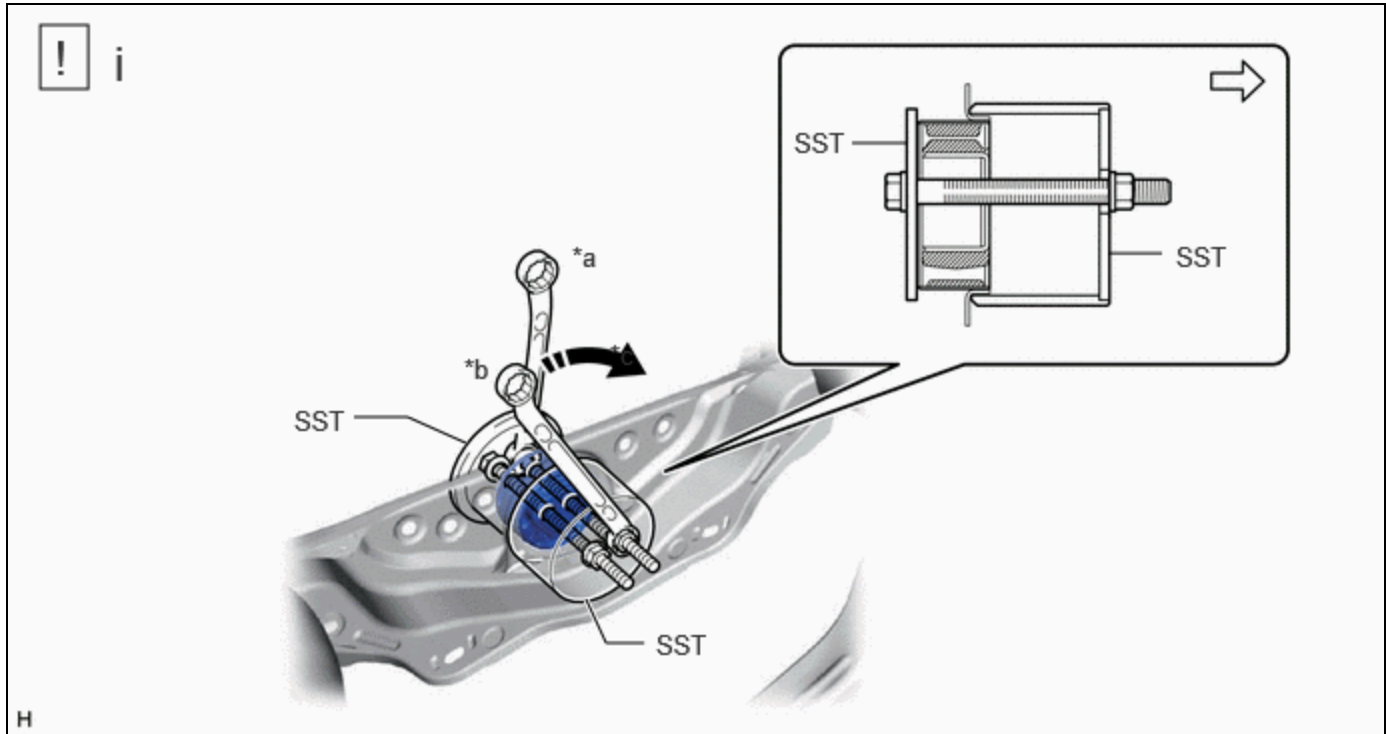
*a	90° +/- 3°	-	-
----	------------	---	---



	Front of Vehicle	-	-
---	------------------	---	---

(1) Temporarily install a new differential mount cushion to the rear suspension member sub-assembly from the rear of the vehicle as shown in the illustration.

NOTICE:

- Make sure that the differential mount cushion is aligned within 90° +/- 3° from the center.
- Be sure to install the differential mount cushion in the correct direction.



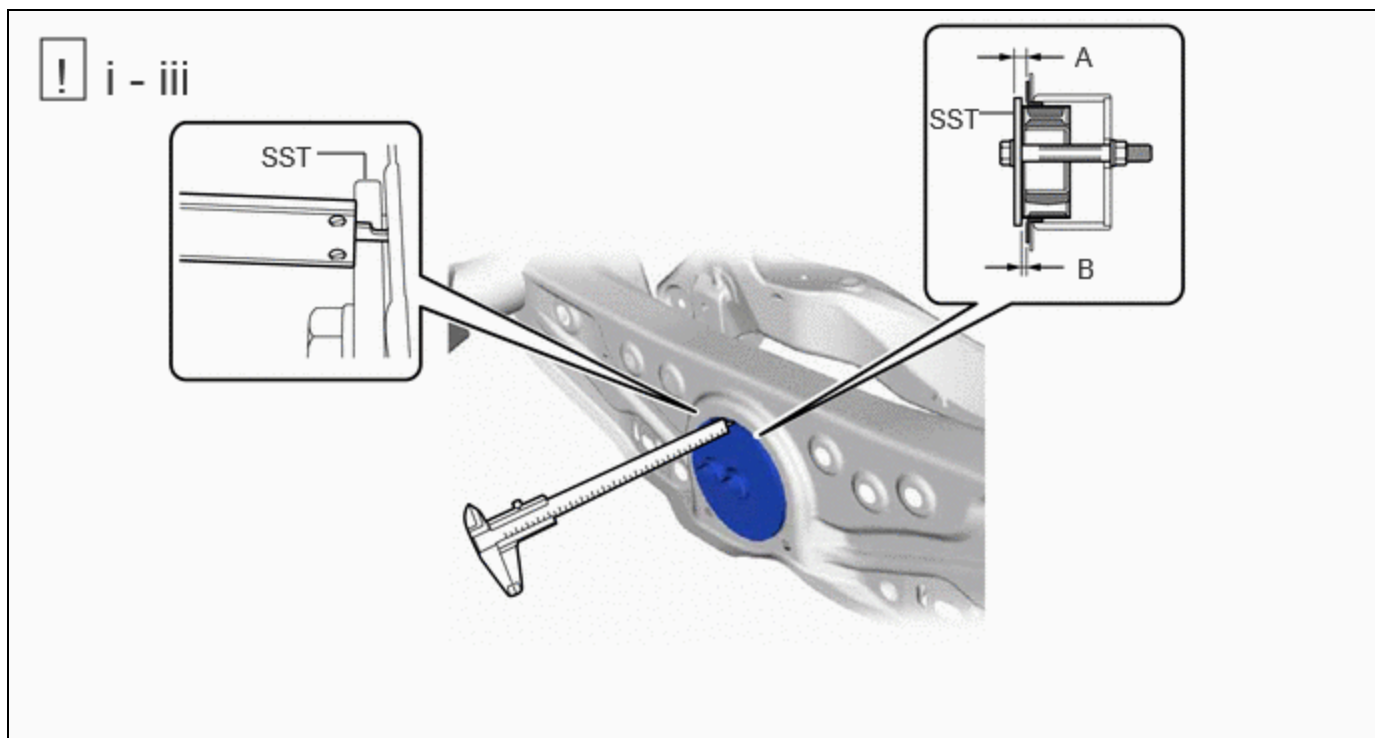
*a	Hold	*b	Turn
	Turning Direction		Front of Vehicle

(1) Using SST, press the differential mount cushion into the rear suspension member sub-assembly. (Step *1)

SST: 09570-48010

NOTICE:

- Apply grease to the threads of the SST center bolt before use.
- Install the SST bolts straight and tighten them equally.



(1) Using a vernier caliper, measure the length indicated by (A) in the illustration. (Step *2)

NOTICE:

- Measure at several points to ensure that the differential mount cushion is pressed in evenly.
- Do not measure on a weld bead.

(2) Repeat the steps *1 and *2 to press the differential mount cushion into the rear suspension member sub-assembly until the length indicated by (A) in the illustration is within the specification.

Reference Length (A):

10.5 to 11.5 mm (0.414 to 0.452 in.)

(3) Remove SST. Using a vernier caliper, measure the differential mount cushion protrusion length indicated by (B) in the illustration and ensure that the measured length is within the specification.

Standard Length (B):

4.5 to 5.5 mm (0.178 to 0.216 in.)

2. TEMPORARILY INSTALL REAR NO. 2 SUSPENSION ARM ASSEMBLY LH

	Click here INFO
---	---

3. TEMPORARILY INSTALL REAR NO. 2 SUSPENSION ARM ASSEMBLY RH

4. INSTALL REAR UPPER CONTROL ARM ASSEMBLY LH

	Click here INFO
---	---

5. INSTALL REAR UPPER CONTROL ARM ASSEMBLY RH

6. INSTALL WIRE HARNESS CLAMP BRACKET

Torque:


8.0 N·m {82 kgf·cm, 71 in·lbf}

7. INSTALL MOTOR CABLE BRACKET

Torque:

10 N·m {102 kgf·cm, 7 ft·lbf}

8. INSTALL REAR TRACTION MOTOR WITH TRANSAXLE ASSEMBLY

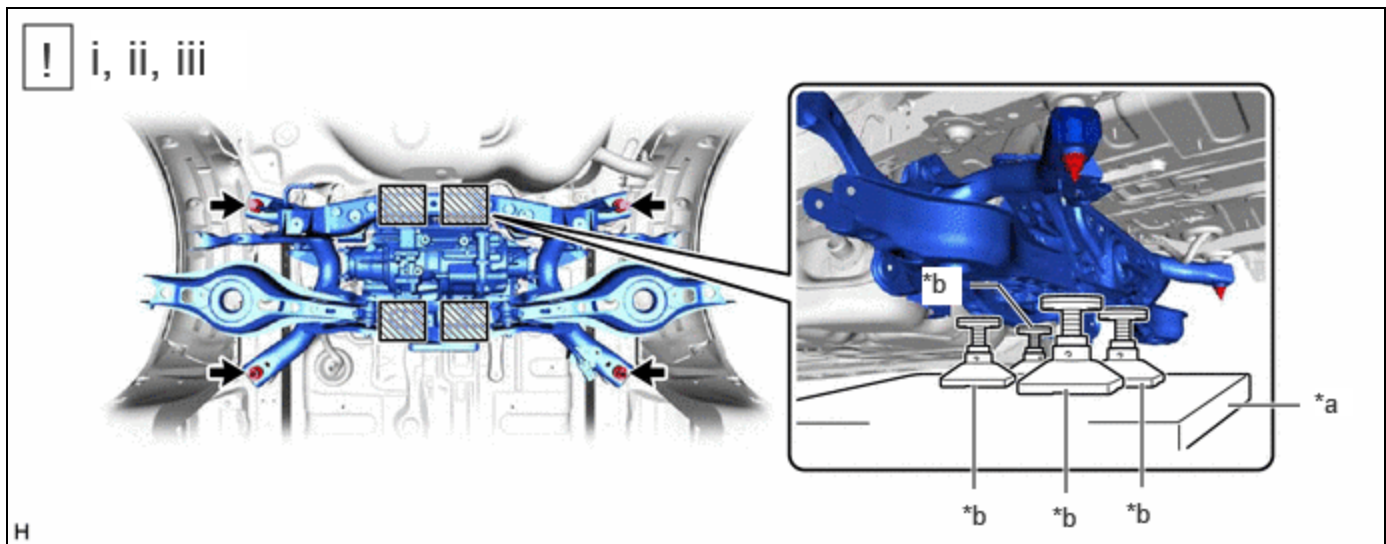
	Click here INFO
---	--

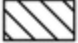
9. CONNECT REAR TRACTION MOTOR CABLE

Click here [INFO](#)

10. INSTALL NO. 6 FLOOR WIRE

11. INSTALL REAR SUSPENSION MEMBER SUB-ASSEMBLY

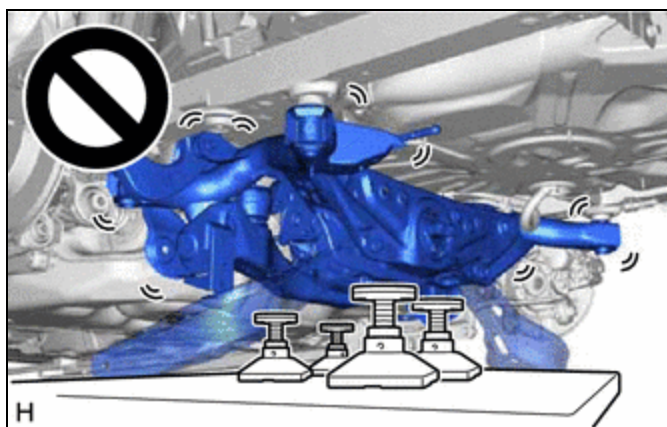


*a	Engine Lifter	*b	Attachment
	Attachment Placement Location	-	-

(1) Using an engine lifter and 4 attachments or equivalent tools, support the rear suspension member sub-assembly as shown in the illustration.

CAUTION:

- The rear suspension member sub-assembly is a very heavy component. Make sure that it is supported securely.
- If the rear suspension member sub-assembly is not securely supported, it may drop, resulting in serious injury.

**NOTICE:**

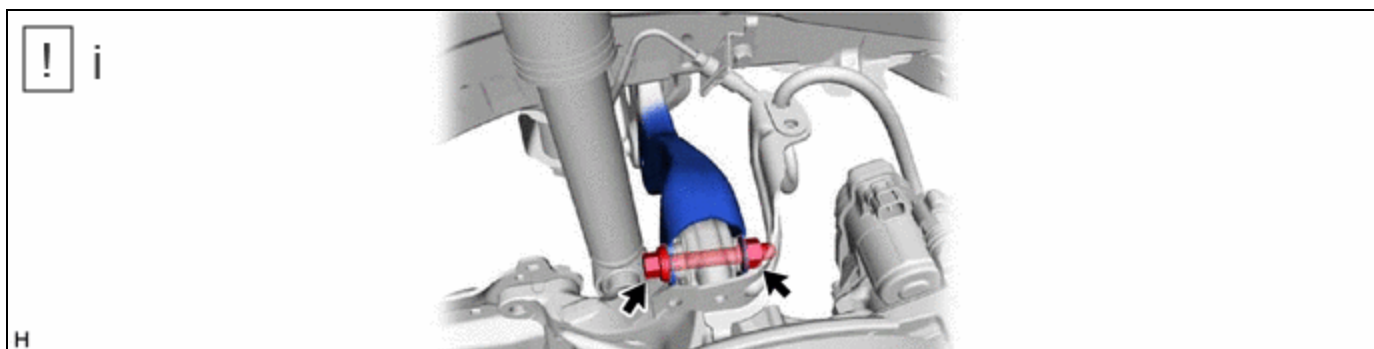
- Use attachments or equivalent tools to keep the rear suspension member sub-assembly level.
- Keep supporting the rear suspension member sub-assembly until the installation has been completed.

(2) Raise the rear suspension member sub-assembly until there is no clearance between the rear suspension member sub-assembly and vehicle.

(3) Install the rear suspension member sub-assembly with the 2 bolts and 2 nuts.

Torque:

143 N·m {1458 kgf·cm, 105 ft·lbf}

12. INSTALL FRAME WIRE**13. TEMPORARILY INSTALL REAR UPPER CONTROL ARM ASSEMBLY LH**

(1) Temporarily install the rear upper control arm assembly LH to the rear axle carrier sub-assembly LH with the bolt and nut.

NOTICE:

- Insert the bolt with the threaded end facing the rear of the vehicle.
- Because the nut has its own stopper, do not turn the nut. Tighten the bolt with the nut secured.

14. TEMPORARILY INSTALL REAR UPPER CONTROL ARM ASSEMBLY RH**15. INSTALL REAR DRIVE SHAFT ASSEMBLY LH****16. INSTALL REAR DRIVE SHAFT ASSEMBLY RH**

17. TEMPORARILY INSTALL REAR NO. 1 SUSPENSION ARM ASSEMBLY LH


	Click here INFO
---	---------------------------------

18. TEMPORARILY INSTALL REAR NO. 1 SUSPENSION ARM ASSEMBLY RH

19. INSTALL REAR LOWER COIL SPRING INSULATOR LH

20. INSTALL REAR LOWER COIL SPRING INSULATOR RH

21. INSTALL REAR COIL SPRING LH

	Click here INFO
---	---------------------------------

22. INSTALL REAR COIL SPRING RH

23. INSTALL REAR STABILIZER BAR

	Click here INFO
--	---------------------------------

24. STABILIZE SUSPENSION

	Click here INFO
---	---------------------------------

25. INSTALL REAR NO. 1 SUSPENSION ARM ASSEMBLY LH

	Click here INFO
---	---------------------------------

26. INSTALL REAR NO. 1 SUSPENSION ARM ASSEMBLY RH

27. INSTALL REAR NO. 2 SUSPENSION ARM ASSEMBLY LH

	Click here INFO
---	---------------------------------

28. INSTALL REAR NO. 2 SUSPENSION ARM ASSEMBLY RH

29. INSTALL REAR UPPER CONTROL ARM ASSEMBLY LH



Click here [INFO](#)

30. INSTALL REAR UPPER CONTROL ARM ASSEMBLY RH

31. INSTALL REAR FLEXIBLE HOSE LH

Click here [INFO](#)

32. INSTALL REAR FLEXIBLE HOSE RH

33. INSTALL REAR STABILIZER LINK ASSEMBLY LH



Click here [INFO](#)

34. INSTALL REAR STABILIZER LINK ASSEMBLY RH

35. INSTALL REAR AXLE SHAFT NUT (for LH Side)



Click here [INFO](#)

36. INSTALL REAR AXLE SHAFT NUT (for RH Side)

37. INSTALL REAR SKID CONTROL SENSOR LH



Click here [INFO](#)

38. INSTALL REAR SKID CONTROL SENSOR RH

39. INSTALL TAIL EXHAUST PIPE ASSEMBLY

Click here [INFO](#)

40. INSTALL REAR WHEEL

Click here [INFO](#)

41. INSTALL REAR SUSPENSION TOE ADJUST CAM SUB-ASSEMBLY (for LH Side)



Click here [INFO](#)

42. INSTALL REAR SUSPENSION TOE ADJUST CAM SUB-ASSEMBLY (for RH Side)

43. INSTALL REAR FLOOR SIDE MEMBER COVER LH

Click here [INFO](#)

44. INSTALL REAR FLOOR SIDE MEMBER COVER RH

Click here [INFO](#)

45. CONNECT REAR TRACTION MOTOR CABLE

	Click here INFO
---	---------------------------------

46. INSTALL DECK FLOOR BOX LH

47. INSTALL DECK FLOOR BOX RH

48. INSTALL DECK BOARD ASSEMBLY

49. INSTALL SERVICE PLUG GRIP

Click here [INFO](#)

50. INSPECT FOR EXHAUST GAS LEAK

Click here [INFO](#)

51. INSPECT AND ADJUST REAR WHEEL ALIGNMENT

Click here [INFO](#)

52. PERFORM INITIALIZATION

Parking Assist Monitor System	INFO
Panoramic View Monitor System	INFO
Advanced Park	INFO

