

Last Modified: 12-04-2024	6.11:8.1.0	Doc ID: RM10000002BCP4
Model Year Start: 2023	Model: Prius Prime	Prod Date Range: [03/2023 -]
Title: REAR SUSPENSION: REAR SUSPENSION MEMBER (for 2WD): REMOVAL; 2023 - 2024 MY Prius Prius Prime [03/2023 -]		

REMOVAL

CAUTION / NOTICE / HINT

The necessary procedures (adjustment, calibration, initialization, or registration) that must be performed after parts are removed and installed, or replaced during rear suspension member sub-assembly removal/installation are shown below.

Necessary Procedures After Parts Removed/Installed/Replaced

REPLACED PART OR PERFORMED PROCEDURE	NECESSARY PROCEDURE	EFFECT/INOPERATIVE FUNCTION WHEN NECESSARY PROCEDURE NOT PERFORMED	LINK
Rear wheel alignment adjustment	Perform "Calibration"	<ul style="list-style-type: none"> DTCs are stored ABS warning light illuminates Brake system warning light (yellow indicator) illuminates Slip indicator light illuminates Electronically controlled brake system disabled or malfunctions 	INFO
Tires	<ul style="list-style-type: none"> Initialization*1*2 Tire Position Identification*1*2 	Tire Pressure Warning System	Refer to Procedures Necessary When Replacing Parts (for Tire Pressure Warning System) INFO
	Rear television camera assembly optical axis (Back camera position setting)*3	Parking Assist Monitor System	INFO
	Parking assist ECU initialization*3	Panoramic View Monitor System	INFO
		Advanced Park	INFO

*1: Also necessary after performing a tire rotation.

*2: It is not necessary to perform this procedure if the tire pressure warning valve and transmitters are installed to the same location.

*3: The vehicle height changes because of suspension or tire replacement.

REPLACED PART OR PERFORMED PROCEDURE	NECESSARY PROCEDURE	EFFECT/INOPERATIVE FUNCTION WHEN NECESSARY PROCEDURE NOT PERFORMED	LINK
Suspension parts	Rear television camera assembly optical axis (Back camera position setting)	Parking Assist Monitor System	INFO
	Parking assist ECU initialization	Panoramic View Monitor System	INFO
		Advanced Park	INFO
Gas leak from exhaust system is repaired	Inspection after repair	<ul style="list-style-type: none"> • Poor idle, etc. • Engine start function, etc. 	for M20A-FXS: INFO for 2ZR-FXE: INFO

*1: Also necessary after performing a tire rotation.

*2: It is not necessary to perform this procedure if the tire pressure warning valve and transmitters are installed to the same location.

*3: The vehicle height changes because of suspension or tire replacement.

CAUTION / NOTICE / HINT

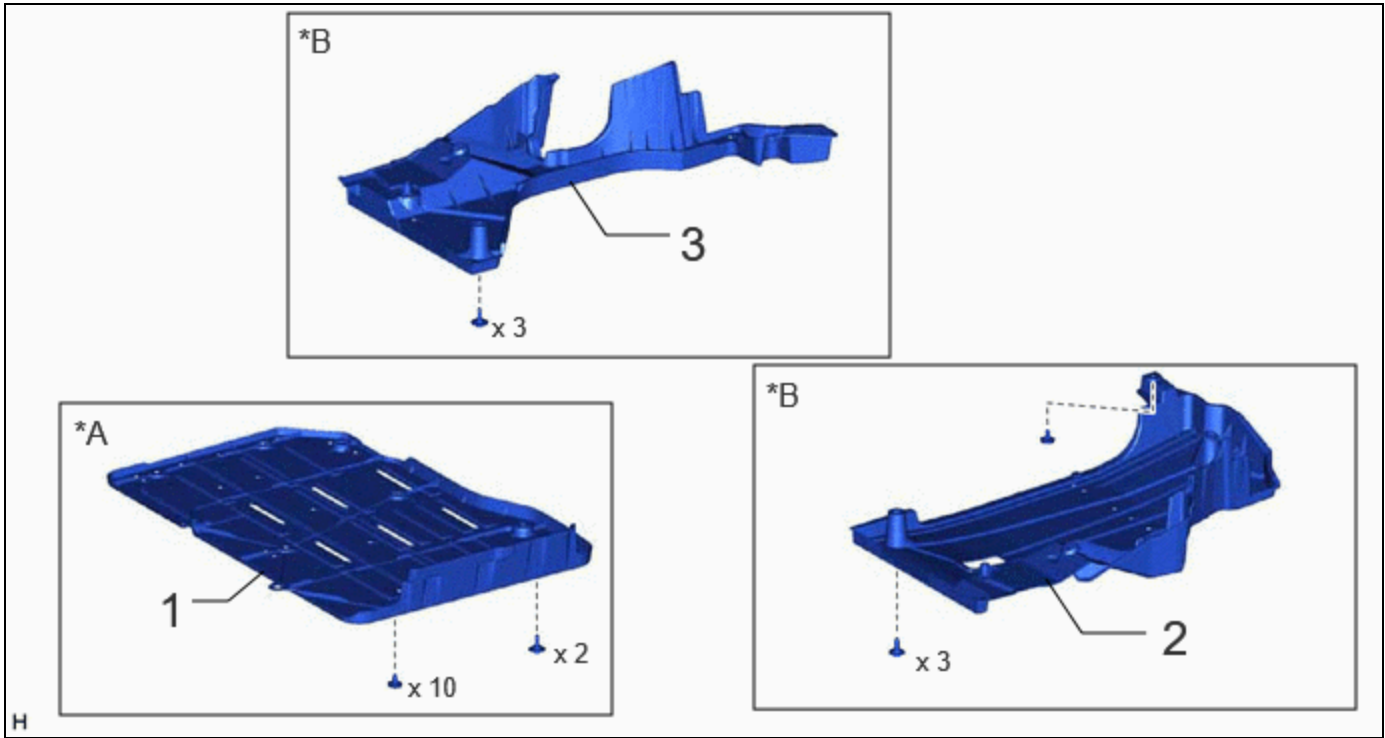
CAUTION:

To prevent burns, do not touch the engine, exhaust pipe or other high temperature components while the engine is hot.



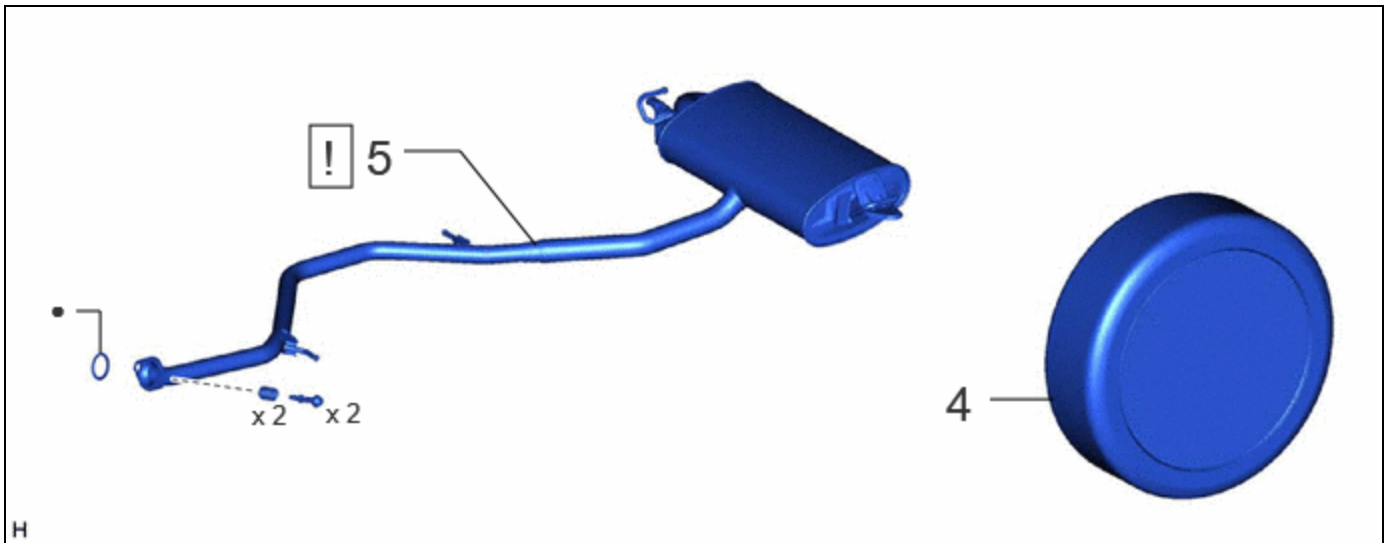
CAUTION / NOTICE / HINT




COMPONENTS (REMOVAL)



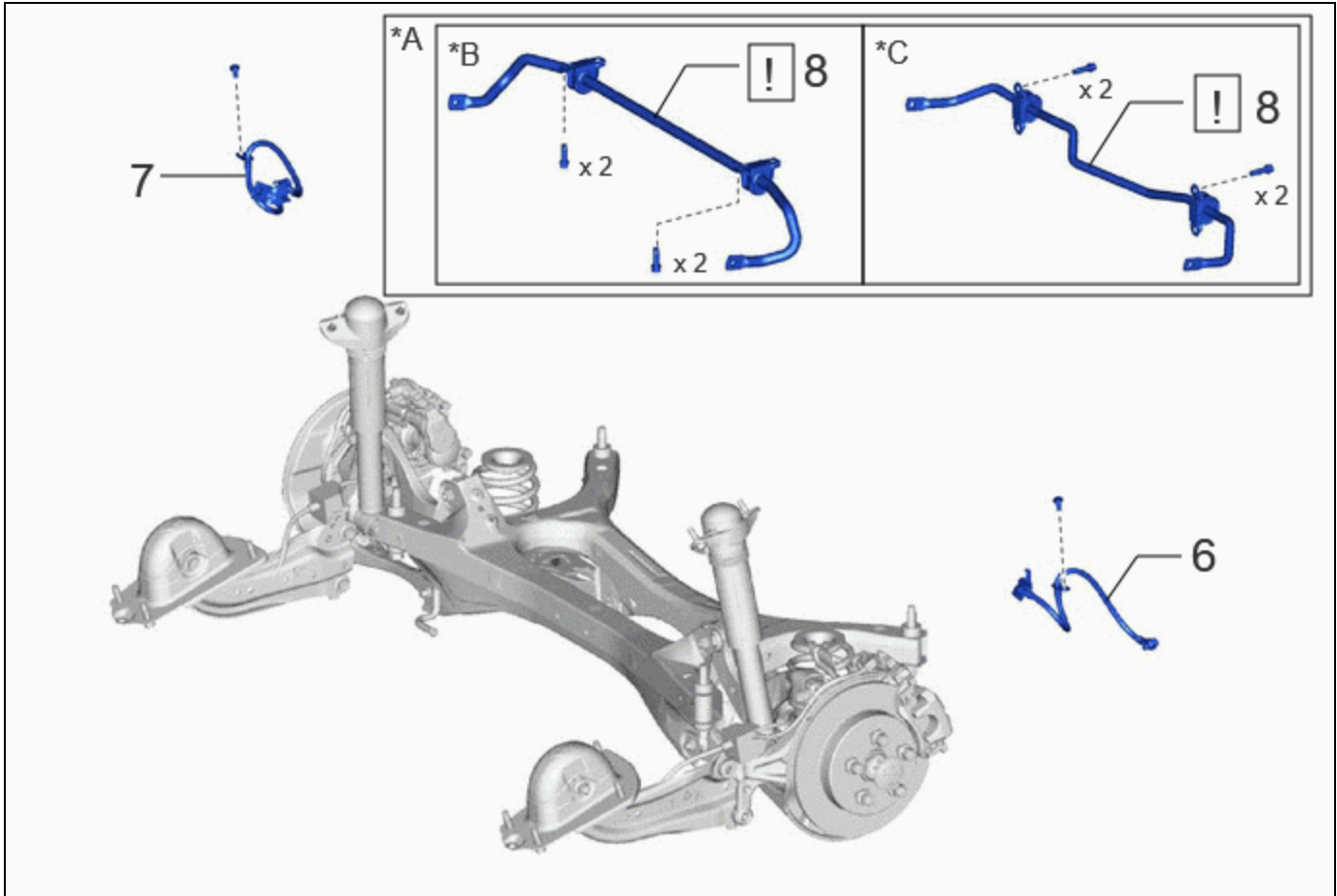
PROCEDURE		PART NAME CODE			
1	BATTERY BOX COVER	58219K	-	-	-
2	REAR FLOOR SIDE MEMBER COVER LH	57628E	-	-	-
3	REAR FLOOR SIDE MEMBER COVER RH	57627G	-	-	-




*A	for PHEV Model	*B	for HEV Model
----	----------------	----	---------------



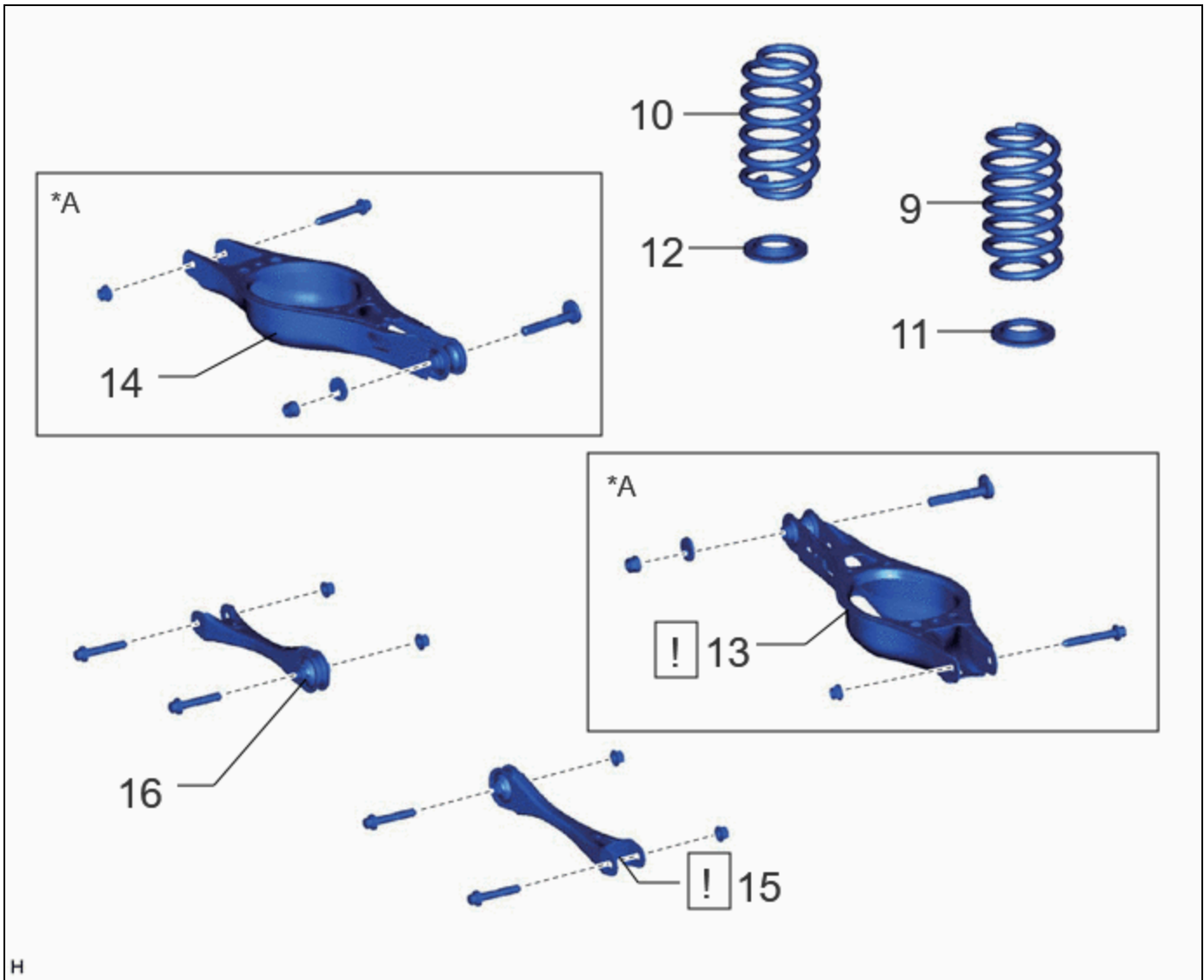
PROCEDURE	PART NAME CODE			
4 REAR WHEEL	-	-	-	-
5 TAIL EXHAUST PIPE ASSEMBLY	17430	INFO	-	-

• Non-reusable part	-	-
---------------------	---	---



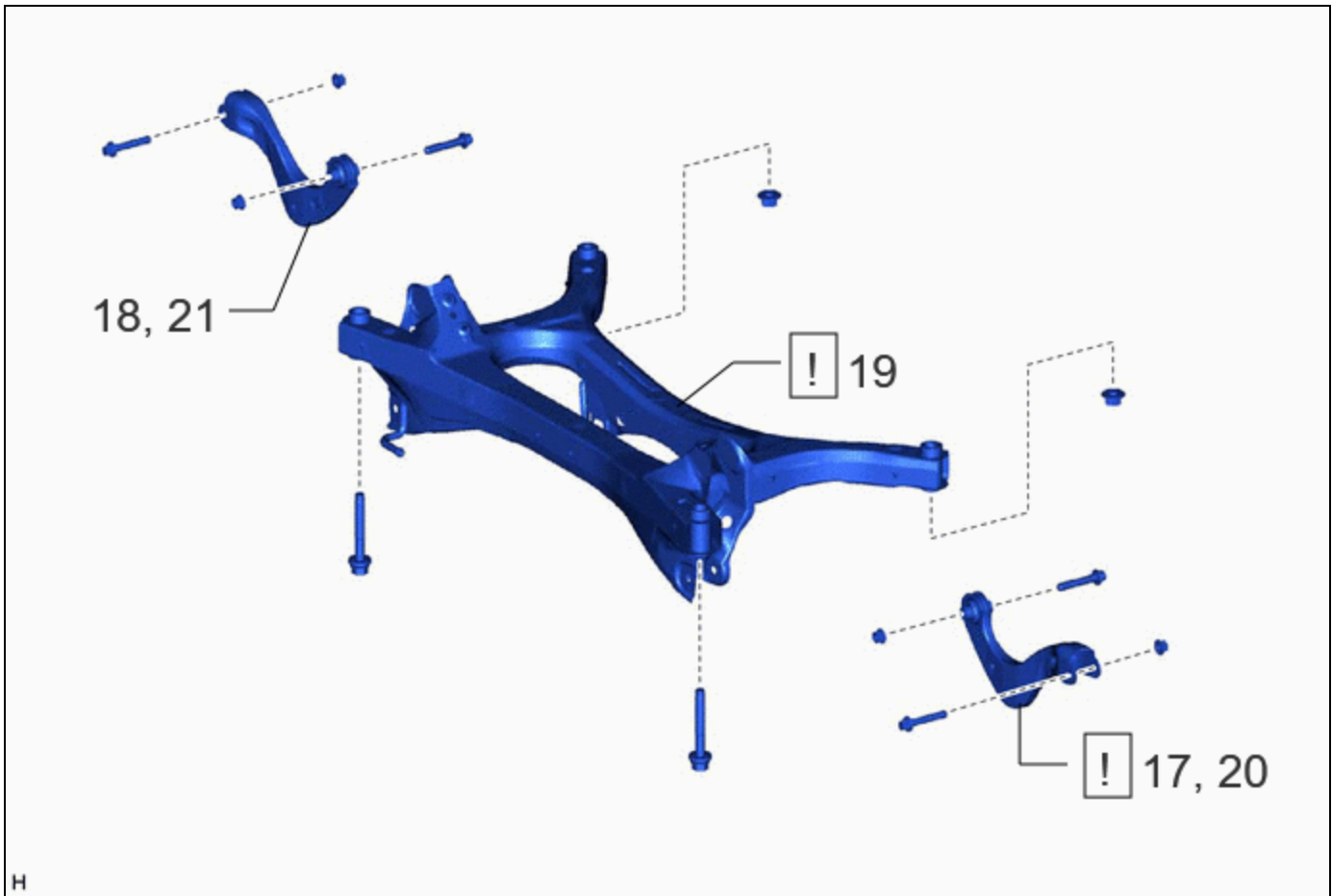
PROCEDURE	PART NAME CODE			
6 REAR FLEXIBLE HOSE LH	47319F	-	-	-
7 REAR FLEXIBLE HOSE RH	47318F	-	-	-
8 REAR STABILIZER BAR	48812	INFO	-	-

*A	w/ Stabilizer Bar	*B	for HEV Model
*C	for PHEV Model	-	-

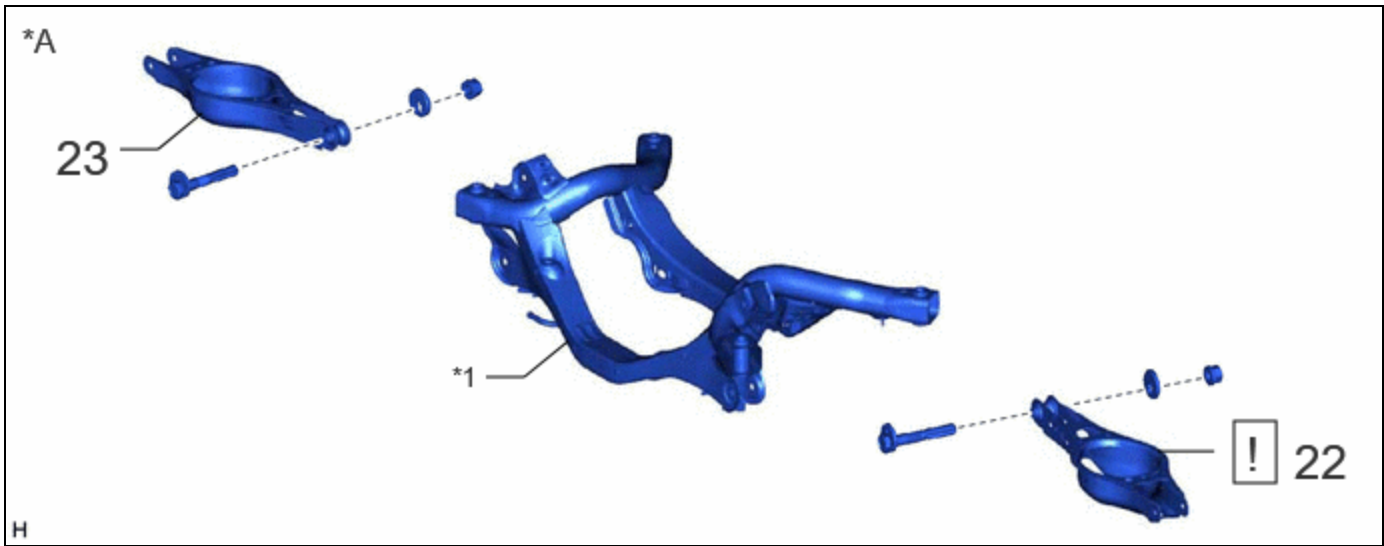


PROCEDURE		PART NAME CODE			
9	REAR COIL SPRING LH	48231B	INFO	-	-
10	REAR COIL SPRING RH	48231A	-	-	-
11	REAR LOWER COIL SPRING INSULATOR LH	48258C	-	-	-
12	REAR LOWER COIL SPRING INSULATOR RH	48258B	-	-	-
13	REAR NO. 2 SUSPENSION ARM ASSEMBLY LH	48740F	INFO	-	-
14	REAR NO. 2 SUSPENSION ARM ASSEMBLY RH	48730F	-	-	-
15	REAR NO. 1 SUSPENSION ARM ASSEMBLY LH	48720A	INFO	-	-
16	REAR NO. 1 SUSPENSION ARM ASSEMBLY RH	48710A	-	-	-

*A	for HEV Model	-	-
----	---------------	---	---



PROCEDURE		PART NAME CODE			
17	SEPARATE REAR UPPER CONTROL ARM ASSEMBLY LH	48790	INFO	-	-
18	SEPARATE REAR UPPER CONTROL ARM ASSEMBLY RH	48770A	-	-	-
19	REAR SUSPENSION MEMBER SUB-ASSEMBLY	51206A	INFO	-	-
20	REMOVE REAR UPPER CONTROL ARM ASSEMBLY LH	48790	INFO	-	-
21	REMOVE REAR UPPER CONTROL ARM ASSEMBLY RH	48770A	-	-	-



PROCEDURE		PART NAME CODE			
22	REAR NO. 2 SUSPENSION ARM ASSEMBLY LH	48740F	INFO	-	-
23	REAR NO. 2 SUSPENSION ARM ASSEMBLY RH	48730F	-	-	-

*A	for PHEV Model	-	-
*1	REAR SUSPENSION MEMBER SUB-ASSEMBLY	-	-

PROCEDURE

1. REMOVE BATTERY BOX COVER (for PHEV Model)

Click here [INFO](#)

2. REMOVE REAR FLOOR SIDE MEMBER COVER LH (for HEV Model)

Click here [INFO](#)

3. REMOVE REAR FLOOR SIDE MEMBER COVER RH (for HEV Model)

Click here [INFO](#)

4. REMOVE REAR WHEEL

Click here [INFO](#)

5. REMOVE TAIL EXHAUST PIPE ASSEMBLY

	for M20A-FXS: Click here INFO for 2ZR-FXE: Click here INFO
--	---

6. SEPARATE REAR FLEXIBLE HOSE LH

Click here [INFO](#)

7. SEPARATE REAR FLEXIBLE HOSE RH

(a) Perform the same procedure as for the LH side.

8. REMOVE REAR STABILIZER BAR (w/ Stabilizer Bar)



for HEV Model: Click here [INFO](#)

for PHEV Model: Click here [INFO](#)

9. REMOVE REAR COIL SPRING LH



Click here [INFO](#)

10. REMOVE REAR COIL SPRING RH

(a) Perform the same procedure as for the LH side.

11. REMOVE REAR LOWER COIL SPRING INSULATOR LH

Click here [INFO](#)

12. REMOVE REAR LOWER COIL SPRING INSULATOR RH

(a) Perform the same procedure as for the LH side.

13. REMOVE REAR NO. 2 SUSPENSION ARM ASSEMBLY LH (for HEV Model)



Click here [INFO](#)

14. REMOVE REAR NO. 2 SUSPENSION ARM ASSEMBLY RH (for HEV Model)

(a) Perform the same procedure as for the LH side.

15. REMOVE REAR NO. 1 SUSPENSION ARM ASSEMBLY LH



for HEV Model: Click here [INFO](#)

for PHEV Model: Click here [INFO](#)

16. REMOVE REAR NO. 1 SUSPENSION ARM ASSEMBLY RH

(a) Perform the same procedure as for the LH side.

17. SEPARATE REAR UPPER CONTROL ARM ASSEMBLY LH

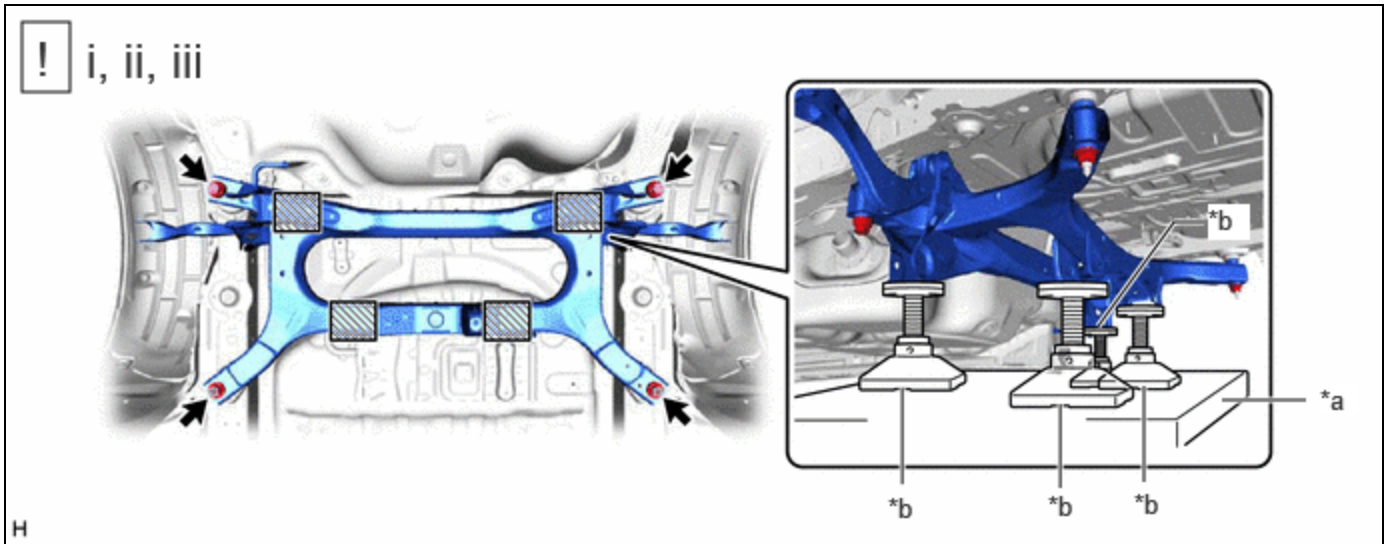
	INFO
---	---


18. SEPARATE REAR UPPER CONTROL ARM ASSEMBLY RH

(a) Perform the same procedure as for the LH side.

19. REMOVE REAR SUSPENSION MEMBER SUB-ASSEMBLY

(a) for HEV Model



*a	Engine Lifter	*b	Attachment
	Attachment Placement Location	-	-

(1) Using an engine lifter and 4 attachments or equivalent tools, support the rear suspension member sub-assembly as shown in the illustration.

CAUTION:

- The rear suspension member sub-assembly is a very heavy component. Make sure that it is supported securely.
- If the rear suspension member sub-assembly is not securely supported, it may drop, resulting in serious injury.



NOTICE:

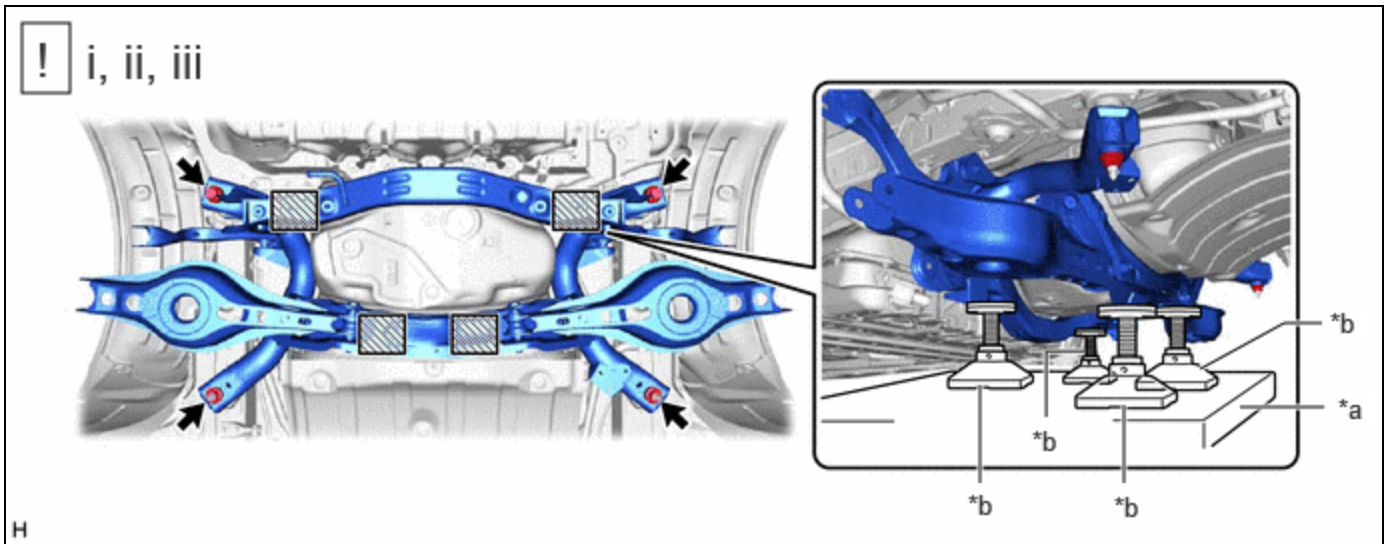
Use attachments or equivalent tools to keep the rear suspension member sub-assembly level.

- (2) Remove the 2 bolts and 2 nuts.
- (3) Slowly lower the rear suspension member sub-assembly.

NOTICE:

When lowering the rear suspension member sub-assembly, be careful not to damage the vehicle body or other components installed to the vehicle.

(b) for PHEV Model

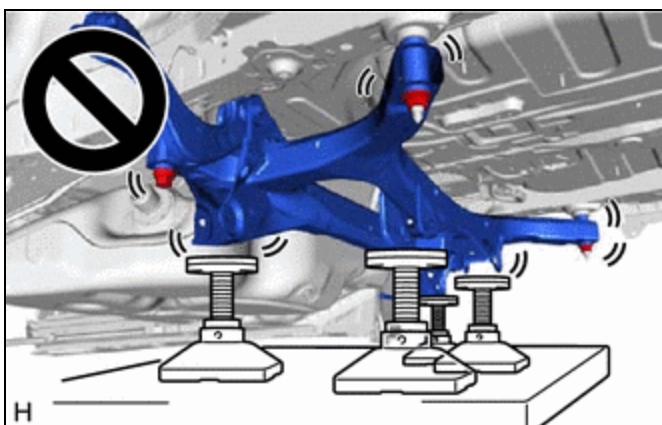


*a	Engine Lifter	*b	Attachment
	Attachment Placement Location	-	-

(1) Using an engine lifter and 4 attachments or equivalent tools, support the rear suspension member sub-assembly as shown in the illustration.

CAUTION:

- The rear suspension member sub-assembly is a very heavy component. Make sure that it is supported securely.
- If the rear suspension member sub-assembly is not securely supported, it may drop, resulting in serious injury.



NOTICE:

Use attachments or equivalent tools to keep the rear suspension member sub-assembly level.

- (2) Remove the 2 bolts and 2 nuts.
- (3) Slowly lower the rear suspension member sub-assembly.

NOTICE:

When lowering the rear suspension member sub-assembly, be careful not to damage the vehicle body or other components installed to the vehicle.

20. REMOVE REAR UPPER CONTROL ARM ASSEMBLY LH

	Click here INFO
---	---------------------------------

21. REMOVE REAR UPPER CONTROL ARM ASSEMBLY RH

- (a) Perform the same procedure as for the LH side.

22. REMOVE REAR NO. 2 SUSPENSION ARM ASSEMBLY LH (for PHEV Model)

	Click here INFO
---	---------------------------------

23. REMOVE REAR NO. 2 SUSPENSION ARM ASSEMBLY RH (for PHEV Model)

- (a) Perform the same procedure as for the LH side.

